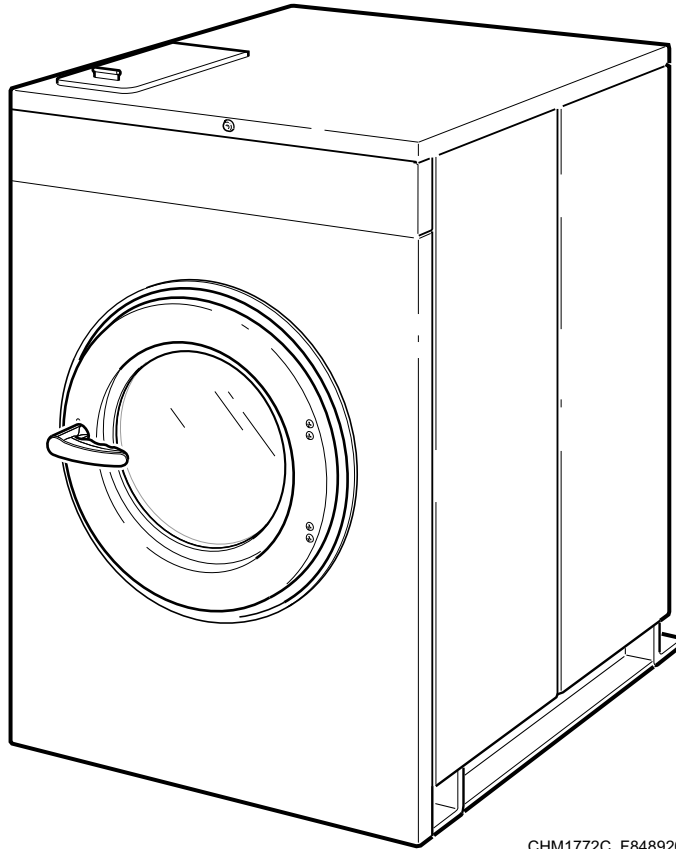


# Washer-Extractor

Cabinet Hardmount

Refer to Page 5 for Model Numbers



CHM1772C\_F8489201



# Table of Contents

| Title  | Page |
|--|------|
| Parts Ordering Information.....  | 3    |
| Nameplate Location.....  | 3    |
| Model Identification.....  | 5    |
| Product Overview - M9, M30, Galaxy 400, Galaxy 600, Quantum Silver and Quantum Gold OPL..... | 6    |
| Product Overview for M4, Galaxy 200 and Quantum Standard.....                                | 8    |
| Decals.....  | 10   |
| Control Module - 2 Speed OPL Models.....   | 12   |
| Control Module - F and V-Speed Design 1 OPL Models.....                                      | 14   |
| Control Module - Design 2 and 3 OPL Models (Drawing 1 of 2).....                             | 16   |
| Control Module - Design 2 and 3 OPL Models (Drawing 2 of 2).....                             | 18   |
| Control Module - 2 Speed Coin Models.....  | 20   |
| Control Module - F and V-Speed Design 1 Coin Models.....                                     | 22   |
| Control Module - Design 2 and 3 Coin Models (Drawing 1 of 2).....                            | 24   |
| Control Module - Design 2 and 3 Coin Models (Drawing 2 of 2).....                            | 26   |
| Flush Mount Coin Meter Assembly - Single Drop.....   | 28   |
| Flush Mount Coin Meter Assembly - Dual Drop.....   | 30   |
| Electronic Coin Meter Assembly.....  | 32   |
| Card Reader - KY Models.....   | 34   |
| Optional Coin Box.....   | 36   |
| Front Panels and Control Panel - Coin Models.....  | 38   |
| Front Panel and Control Panel - Card Reader and OPL Models.....                              | 40   |
| Control Panel Overlays - Coin and Card Models.....   | 42   |
| Control Panel Overlays - OPL Models.....   | 44   |
| Panels (Drawing 1 of 2).....   | 46   |
| Panels (Drawing 2 of 2).....   | 48   |
| Door.....  | 50   |
| Door Lock.....   | 52   |
| Basket, Shell, Frame and Trunnion - Design 1 Models (Drawing 1 of 3).....                    | 54   |
| Basket, Shell, Frame and Trunnion - Design 1 Models (Drawing 2 of 3).....                    | 56   |
| Basket, Shell, Frame and Trunnion - Design 1 Models (Drawing 3 of 3).....                    | 58   |
| Basket, Shell, Frame and Bearing Housing - Design 2 and 3 Models (Drawing 1 of 3).....       | 60   |
| Basket, Shell, Frame and Bearing Housing - Design 2 and 3 Models (Drawing 2 of 3).....       | 62   |
| Basket, Shell, Frame and Bearing Housing - Design 2 and 3 Models (Drawing 3 of 3).....       | 64   |
| Drain Plumbing - Design 1 Models.....  | 66   |
| Drain Plumbing - Design 2 and 3 Models.....  | 68   |
| Drain Valve Assembly - 20 and 30 Pound Models.....   | 70   |
| Drain Valve Assembly - 40 and 60 Pound Models.....   | 72   |
| Steam Filter (Optional) and Water Supply Hose.....   | 74   |
| Fill Plumbing Assembly (Drawing 1 of 2).....   | 76   |
| Fill Plumbing Assembly (Drawing 2 of 2).....   | 78   |
| Pulley and Belt - Design 1 Models (Drawing 1 of 3).....                                      | 80   |

© Copyright 2014, Alliance Laundry Systems LLC

All rights reserved. No part of the contents of this book may be reproduced or transmitted in any form or by any means without the expressed written consent of the publisher.

|   |    |
|---|----|
| Pulley and Belt - Design 1 Models (Drawing 2 of 3).....       | 82 |
| Pulley and Belt - Design 1 Models (Drawing 3 of 3).....       | 84 |
| Pulley and Belt - Design 2 and 3 Models (Drawing 1 of 2)..... | 86 |
| Pulley and Belt - Design 2 and 3 Models (Drawing 2 of 2)..... | 88 |
| Motor - Design 1 Models .....                                 | 90 |
| Motor - Design 2 and 3 Models .....                           | 92 |
| Electric Heat Option .....                                    | 94 |
| Steam Heat Option .....                                       | 96 |
| Parts Index.....  | 99 |

# Parts Ordering Information

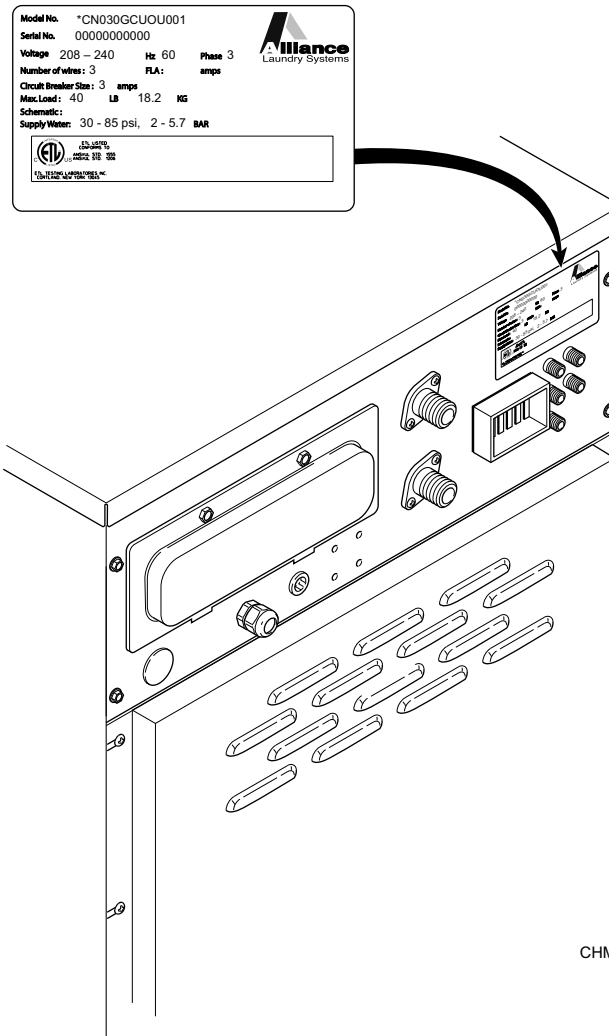
If literature or replacement parts are required, contact the source from whom the machine was purchased or contact Alliance Laundry Systems at (920) 748-3950 for the name and address of the nearest authorized parts distributor.

For technical assistance, call either of the numbers listed below:

(920) 748-3121 Ripon, Wisconsin  
+32 56 41 20 54 Wevelgem, Belgium

# Nameplate Location

When calling or writing about your product, be sure to mention model and serial numbers. Model and serial numbers are located on nameplate(s) as shown.



CHM3025P\_F8489201



## Model Identification

Information in this manual is applicable to these washer-extractor models:

|           |           |           |           |           |
|-----------|-----------|-----------|-----------|-----------|
| HCL020KD2 | HCN030KC2 | HCU020KCF | SCL020KNV | UCL020KN2 |
| HCL020KDF | HCN030KCF | HCU020KCV | SCL030KN2 | UCL020KNF |
| HCL020KDV | HCN030KCV | HCU020KE2 | SCL030KNF | UCL020KNV |
| HCL030KCV | HCN030KD2 | HCU020KEV | SCL030KNV | UCL030KN2 |
| HCL030KD2 | HCN030KDF | HCU020KL2 | SCL040KN2 | UCL030KNF |
| HCL030KDF | HCN030KDV | HCU020KLF | SCL040KNF | UCL030KNV |
| HCL030KDV | HCN030KE2 | HCU020KLV | SCL040KNV | UCL040KN2 |
| HCL030KEF | HCN030KEF | HCU020KY2 | SCL060KN2 | UCL040KNF |
| HCL040KCV | HCN030KEV | HCU020KYF | SCL060KNF | UCL040KNV |
| HCL040KD2 | HCN030KXF | HCU020KYV | SCL060KNV | UCL060KN2 |
| HCL040KDF | HCN030KY2 | HCU030KCF | SCN020KN2 | UCL060KNF |
| HCL040KDV | HCN030KYF | HCU030KCV | SCN020KNF | UCL060KNV |
| HCL060KD2 | HCN030KYV | HCU030KE2 | SCN020KNV | UCN020KN2 |
| HCL060KDF | HCN040KC2 | HCU030KEV | SCN030KN2 | UCN020KNF |
| HCL060KDV | HCN040KCF | HCU030KLV | SCN030KNF | UCN020KNV |
| HCN020KC2 | HCN040KCV | HCU030KY2 | SCN030KNV | UCN030KN2 |
| HCN020KCF | HCN040KD2 | HCU030KYF | SCN040KN2 | UCN030KNF |
| HCN020KCV | HCN040KDF | HCU030KYV | SCN040KNF | UCN030KNV |
| HCN020KD2 | HCN040KDV | HCU040KCF | SCN040KNV | UCN040KN2 |
| HCN020KDF | HCN040KEF | HCU040KCV | SCN060KN2 | UCN040KNF |
| HCN020KDV | HCN040KEV | HCU040KE2 | SCN060KNF | UCN040KNV |
| HCN020KEF | HCN040KXF | HCU040KEV | SCN060KNV | UCN060KN2 |
| HCN020KEV | HCN040KY2 | HCU040KLV | SCU020KN2 | UCN060KNF |
| HCN020KX2 | HCN040KYF | HCU040KXF | SCU020KNF | UCN060KNV |
| HCN020KXF | HCN040KYV | HCU040KY2 | SCU030KN2 | UCU020KN2 |
| HCN020KY2 | HCN060KC2 | HCU040KYF | SCU030KNF | UCU020KNF |
| HCN020KYF | HCN060KCF | HCU040KYV | SCU030KNV | UCU020KNV |
| HCN020KYV | HCN060KCV | HCU060KCF | SCU040KN2 | UCU030KN2 |
|           | HCN060KD2 | HCU060KCV | SCU040KNF | UCU030KNF |
|           | HCN060KDF | HCU060KEV | SCU040KNV | UCU030KNV |
|           | HCN060KDV | HCU060KLV | SCU060KN2 | UCU040KN2 |
|           | HCN060KE2 | HCU060KY2 | SCU060KNF | UCU040KNF |
|           | HCN060KEF | HCU060KYF | SCU060KNV | UCU040KNV |
|           | HCN060KEV | HCU060KYV | SCZ020KN2 | UCU060KN2 |
|           | HCN060KXF |           |           | UCU060KNF |
|           | HCN060KY2 |           |           | UCU060KNV |
|           | HCN060KYF |           |           |           |
|           | HCN060KYV |           |           |           |

# Product Overview - M9, M30, Galaxy 400, Galaxy 600, Quantum Silver and Quantum Gold OPL

Model No. \*CN030GC2U0U001

Serial No. 00000000000

Voltage 208 – 240 Hz 60 Phase 3

Number of wires : 3 FLA: amps

Circuit Breaker Size : 3 amps

Max. Load: 40 LB 18.2 KG

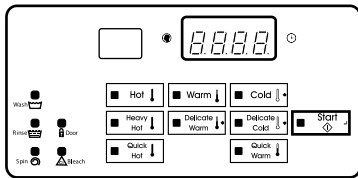
Schematic:

Supply Water: 30 - 85 psi, 2 - 5.7 BAR

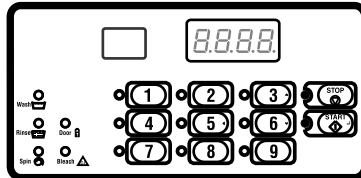
**Alliance**  
Laundry Systems

ETL LISTED  
CONFORMS TO  
ANSI/UL STD. 1555  
US ANSI/UL STD. 1206

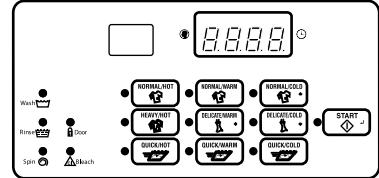
ETL TESTING LABORATORIES INC.  
CORTLAND, NEW YORK 13045



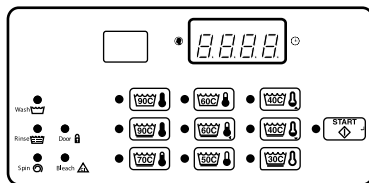
Galaxy 400 Coin



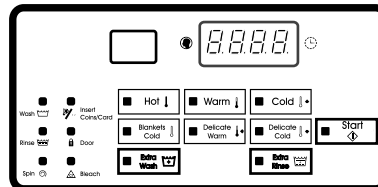
M9/Galaxy 400 OPL/Quantum Silver OPL



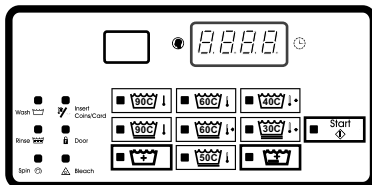
Quantum Silver Coin (Domestic)



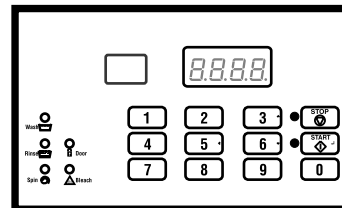
Quantum Silver Coin (International)



Galaxy 600 Coin (Domestic)



Galaxy 600 Coin (International)



M30/Quantum Gold OPL

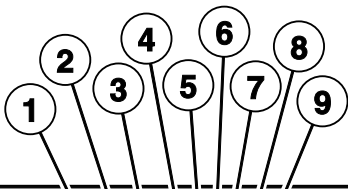
CHM3026P\_F8489201



# Product Overview - M9, M30, Galaxy 400, Galaxy 600, Quantum Silver and Quantum Gold OPL


| REF | PART NO. | DESCRIPTION       | COMMENTS  |
|-----|----------|-------------------|---|
| 1   | -        | Product Family    | HC<br>NC<br>SC<br>UC  |
| 2   | -        | Market            | N (Domestic ETL(c))<br>L (International ETL(c))<br>U (International CE)<br>D (Daiwa)<br>Z (No Agency International)   |
| 3   | -        | Capacity (Pounds) | 020<br>030<br>040<br>060<br>080<br>100<br>125   |
| 4   | -        | Control           | G<br>J<br>L<br>H<br>K<br>W  |
| 5   | -        | Actuation         | C (Drop Coin Meter)<br>D (Digital Coin Meter)<br>E (Electronic World Drop)<br>L (Prep for Remote/Central Pay)<br>N (Non-Coin OPL)<br>X (Prep for Coin Meter)<br>Y (Prep for Card Reader)  |
| 6   | -        | Speed             | 2 (2 Speed)<br>F (F-Speed)<br>V (V-Speed)   |
| 7   | -        | Voltage           | B (120/60/1/2)<br>C (380-415/50/3/4)<br>F (440-480/60/3/3)<br>J (200/50/3/3)<br>N (440-480/50/60/3)<br>O (208/220-240/60/3/3)<br>P (380-415/50/60/3)<br>Q (200-208/220-240/50/60/3)<br>R (380-415/440-480/50/60/3)<br>X (200-208/220-240/50/60/1/3)<br>Y (208/220-240/60/1/2) |
| 8   | -        | Side Panel        | U (Standard)<br>1 (Stainless Steel)   |
| 9   | -        | Design            | 1<br>2<br>3   |


# Product Overview for M4, Galaxy 200 and Quantum Standard

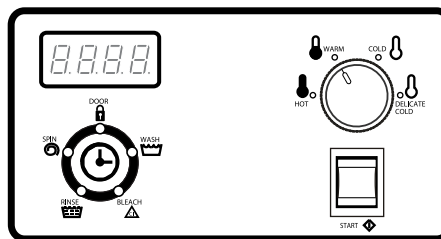


Model No. \*CN030GC2U0U001  
Serial No. 0000000000

Voltage 208 – 240 Hz 60 Phase 3  
Number of wires : 3 FLA : amps  
Circuit Breaker Size : 3 amps  
Max. Load : 40 LB 18.2 KG  
Schematic :  
Supply Water: 30 - 85 psi, 2 - 5.7 BAR

 ETL LISTED  
CONFORMS TO  
ANSI/UL STD. 1555  
US ANSI/UL STD. 1206  
ETL TESTING LABORATORIES, INC.  
CORTLAND, NEW YORK, 13045





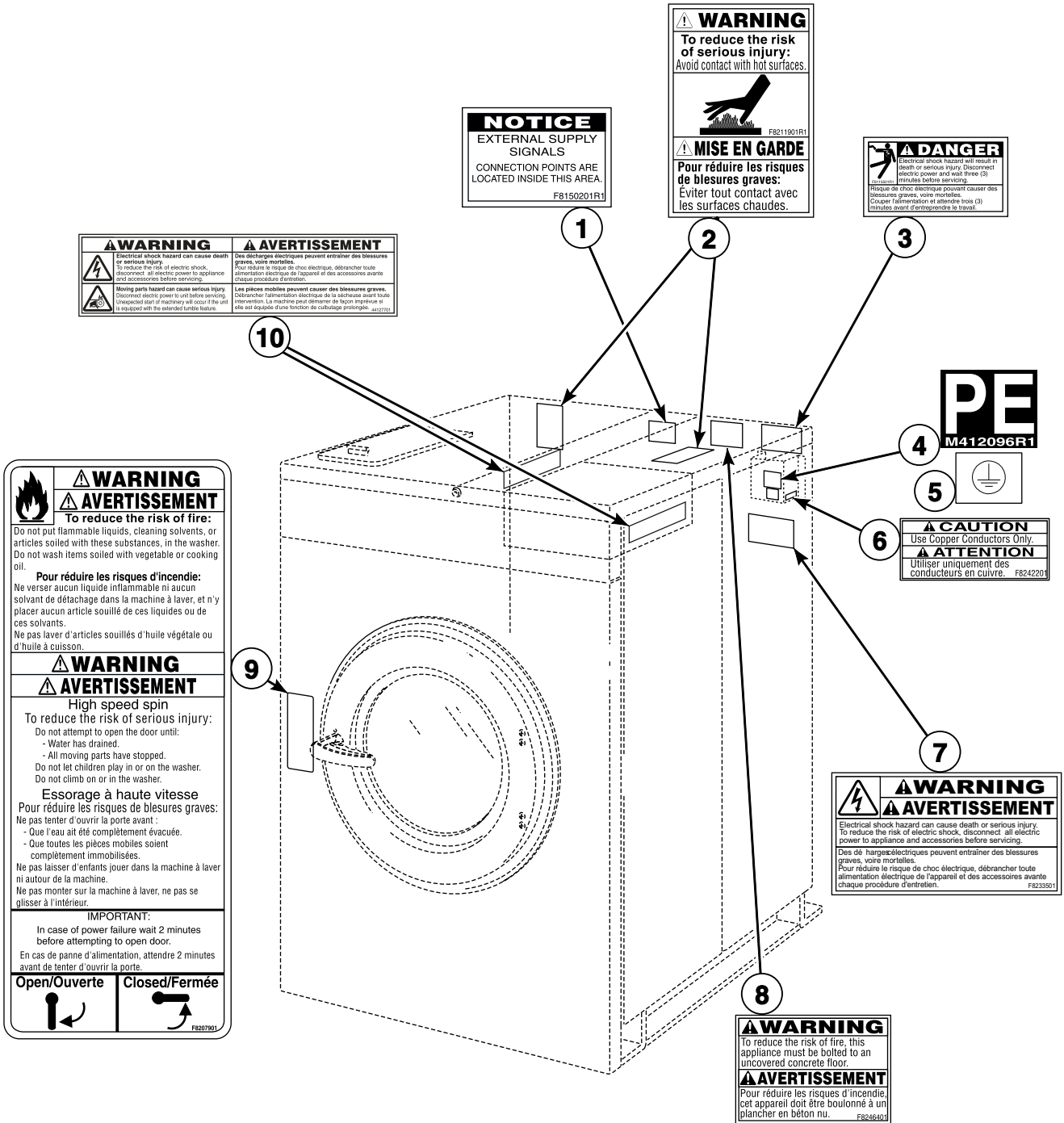
M4/Galaxy 200/Quantum Standard

CHM3218P\_F8489201

# Product Overview for M4, Galaxy 200 and Quantum Standard

| REF | PART NO. | DESCRIPTION       | COMMENTS  |
|-----|----------|-------------------|---|
| 1   | -        | Product Family    | HC<br>NC<br>SC<br>UC  |
| 2   | -        | Market            | N (Domestic ETL(c))<br>L (International ETL(c))<br>U (International CE)<br>D (Daiwa)<br>Z (No Agency International)   |
| 3   | -        | Capacity (Pounds) | 020<br>030<br>040<br>060<br>080<br>100<br>125   |
| 4   | -        | Control           | G<br>J<br>L<br>H<br>K<br>W  |
| 5   | -        | Actuation         | C (Drop Coin Meter)<br>D (Digital Coin Meter)<br>E (Electronic World Drop)<br>L (Prep for Remote/Central Pay)<br>N (Non-Coin OPL)<br>X (Prep for Coin Meter)<br>Y (Prep for Card Reader)  |
| 6   | -        | Speed             | 2 (2 Speed)<br>F (F-Speed)<br>V (V-Speed)   |
| 7   | -        | Voltage           | B (120/60/1/2)<br>C (380-415/50/3/4)<br>F (440-480/60/3/3)<br>J (200/50/3/3)<br>N (440-480/50/60/3)<br>O (208/220-240/60/3/3)<br>P (380-415/50/60/3)<br>Q (200-208/220-240/50/60/3)<br>R (380-415/440-480/50/60/3)<br>X (200-208/220-240/50/60/1/3)<br>Y (208/220-240/60/1/2) |
| 8   | -        | Side Panel        | U (Standard)<br>1 (Stainless Steel)   |
| 9   | -        | Design            | 1<br>2<br>3   |

# Decals

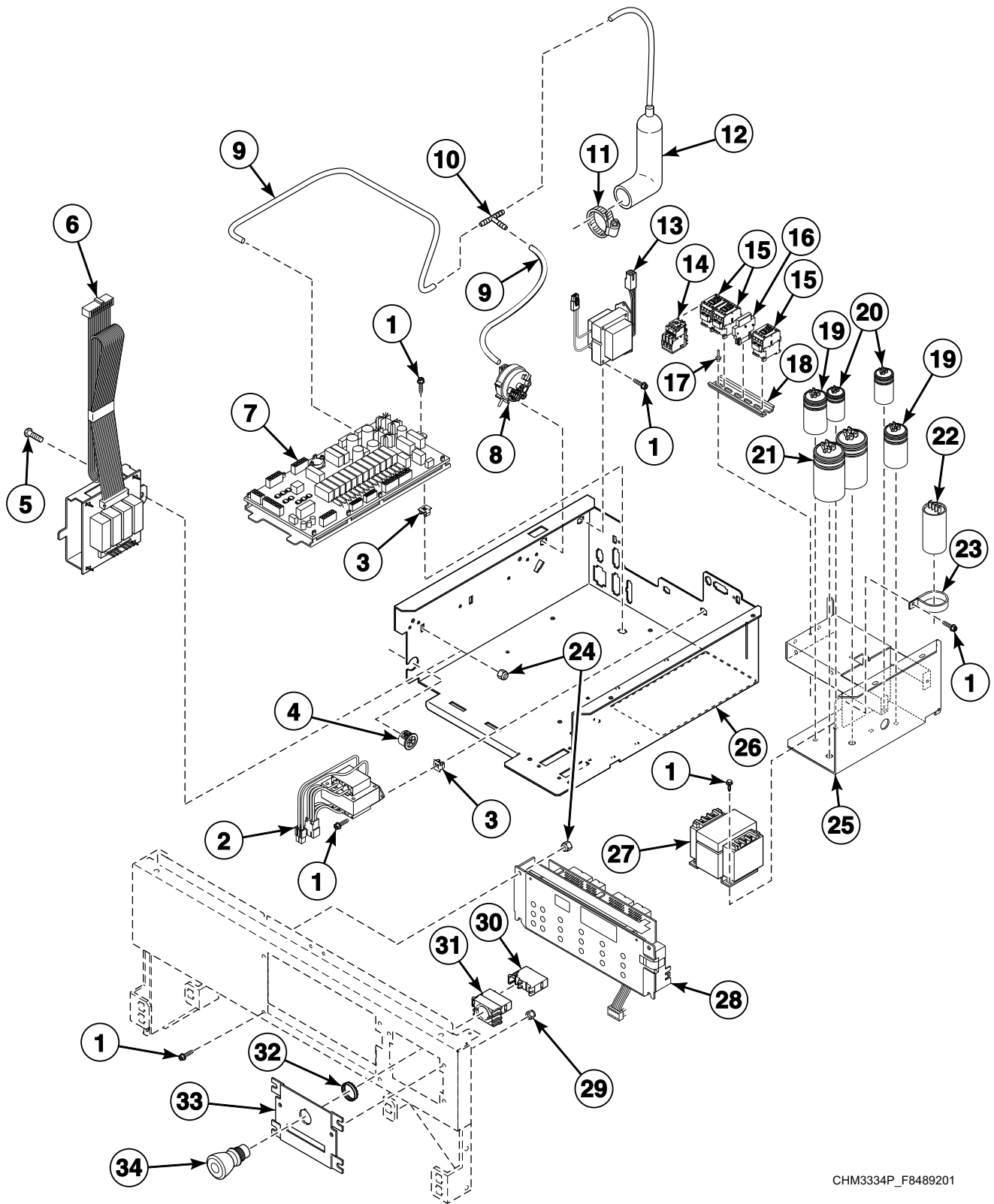


CHM3027P\_F4849201

# Decals

| REF | PART NO. | DESCRIPTION                              | COMMENTS |
|-----|----------|--|----------|
| 1   | F8150201 | External Supply Connection Decal         |          |
| 2   | F8211901 | Hot Surface Warning Plate                |          |
| 3   | F8115501 | Electric Shock Danger Label              |          |
| 4   | M412096  | Earth Terminal Sticker                   |          |
| 5   | F230739  | Ground Decal                             |          |
| 6   | F8242201 | Use Copper Conductors Only Caution Label |          |
| 7   | F8233501 | Warning Label                            |          |
| 8   | F8246401 | Mount on Concrete Warning Label          |          |
| 9   | F8207901 | Warning Label                            |          |
| 10  | 44127701 | Warning Label                            |          |

# Control Module - 2 Speed OPL Models

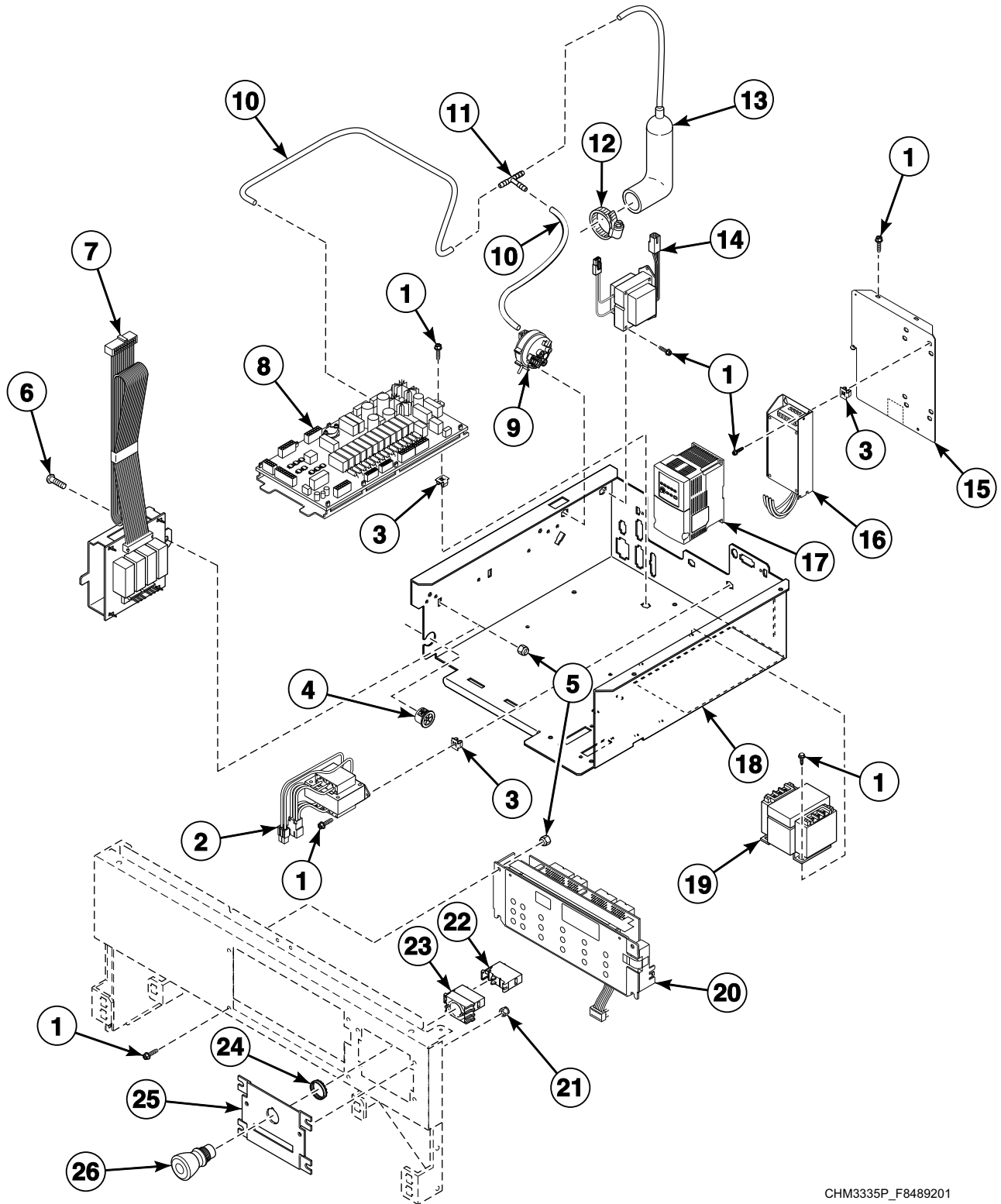


CHM3334P\_F8489201

## Control Module - 2 Speed OPL Models

| REF | PART NO.    | DESCRIPTION                        | COMMENTS  |
|-----|-------------|------------------------------------|---|
|     | F8028701    | Output/Logic Harness               |   |
|     | F8060501    | Emergency Stop Harness             |   |
|     | F8028101P   | Machine Size Configuration Harness | 20 pound models   |
|     | F8028103P   | Machine Size Configuration Harness | 30 pound models   |
|     | F8028104P   | Machine Size Configuration Harness | 40 pound models   |
|     | F8028105P   | Machine Size Configuration Harness | 60 pound models   |
|     | F8167901    | USB IR Device Assembly             |   |
|     | F8191201P   | External Supply Harness            |   |
|     | F937P3      | External Supply Kit                | Includes items 1, 6, 13, F8191201P External Supply Harness and screws         |
|     | M413506     | Jumper Harness Assembly            | 208 Volt  |
|     | M413507     | Jumper Configuration Assembly      | 240 Volt  |
| 1   | F8206901    | Screw                              |   |
| 2   | 803527P     | Transformer                        |   |
| 3   | 70030501    | Expansion Clip                     |   |
| 4   | 44071501    | Snap Bushing                       |   |
| 5   | F430903     | Screw                              |   |
| 6   | F8189401P   | Auxiliary Control Assembly         |   |
| 7   | F980P3      | Control Assembly Kit               | Includes item 10 and F8108001 Output Assembly                                 |
|     | 802493      | Fuse                               | 2.5 Amp   |
| 8   | F8223001P   | Water Pressure Switch              |   |
| 9   | F8153901    | Tubing                             |   |
| 10  | F8246601    | Tee                                | Electric and steam heat   |
|     | F8431001    | Hose Barb Connector                | All other models  |
| 11  | F200222     | Hose Clamp                         | No. 12  |
| 12  | F020014200  | Air Trap Hose                      |   |
| 13  | 201616P     | Transformer                        | External supply   |
| 14  | F8176101P   | Overload Contactor                 |   |
| 15  | F330177P    | Contacto                           |   |
| 16  | F330186P    | Interlock Contactor                |   |
| 17  | 70058501    | Pop Rivet                          |   |
| 18  | F8200101    | DIN Rail                           |   |
| 19  | F8411901    | Capacitor                          | 50 MFD; 20 pound models Y-voltage, 1 used; 40 pound models Y-voltage, 2 used  |
|     | F370221     | Capacitor                          | 100 MFD; 20 pound models B-voltage, 1 used                                    |
| 20  | F8411701    | Capacitor                          | 20 MFD; 30 pound models Y-voltage, 4 used; 40 pound models Y-voltage, 2 used  |
|     | F8411801    | Capacitor                          | 25 MFD; 20 pound models Y-voltage, 2 used                                     |
| 21  | F370218P    | Capacitor                          | 160 MFD; 40 pound models Y-voltage, 2 used                                    |
|     | F370220     | Capacitor                          | 130 MFD; 20 pound models B-voltage, 2 used; 30 pound models Y-voltage, 1 used |
| 22  | F340002     | Motor Switch                       | 50 Amp  |
| 23  | F0340722-00 | Switch Clamp                       |   |
| 24  | F430232     | Nut                                |   |
| 25  | F8199601    | Capacitor Tray Assembly            | 20 pound models; B and Y-voltage  |
|     | F8199901    | Capacitor Tray Assembly            | All other models; B and Y-voltage   |
|     | F8343401    | Contacto Tray Assembly             | C, F, J and O-voltage   |
| 26  | F8205901    | Control Tray Assembly              |   |
| 27  | F360157P    | Transformer                        |   |
| 28  | F983P3      | Control Kit                        | Includes F8028701 Output/Logic Harness  |
| 29  | F431017     | Nut                                |   |
| 30  | F8069501    | Contact Switch                     |   |
| 31  | F200233401  | Contact Block Switch               |   |
| 32  | 24205       | Nut                                |   |
| 33  | F8201301    | Emergency Stop Plate               |   |
| 34  | F200233500  | Emergency Stop Pushbutton          |   |

# Control Module - F and V-Speed Design 1 OPL Models



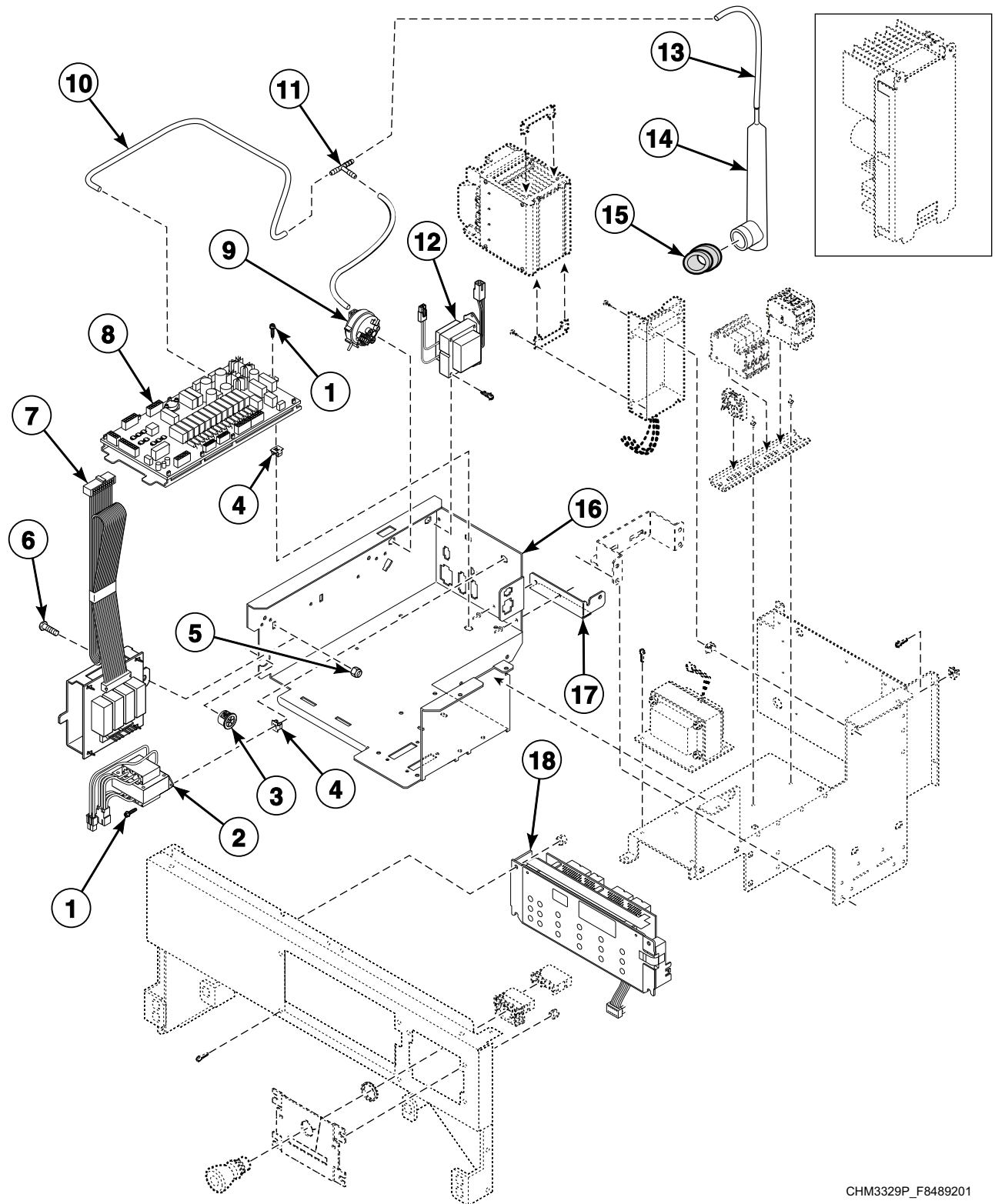
CHM3335P\_F8489201



# Control Module - F and V-Speed Design 1 OPL Models

| REF       | PART NO.   | DESCRIPTION                        | COMMENTS  |
|-----------|------------|------------------------------------|---|
|           | F8028701   | Output/Logic Harness               |   |
|           | F8060501   | Emergency Stop Harness             |   |
|           | F8261501P  | Control Tray Harness               |   |
|           | F8028101P  | Machine Size Configuration Harness | 20 pound models   |
|           | F8028103P  | Machine Size Configuration Harness | 30 pound models   |
|           | F8028104P  | Machine Size Configuration Harness | 40 pound models   |
|           | F8028105P  | Machine Size Configuration Harness | 60 pound models   |
|           | F8167901   | USB IR Device Assembly             |   |
|           | F8191201P  | External Supply Harness            |   |
|           | F937P3     | External Supply Kit                | Includes items 1, 8, F8191201P External Supply Harness and screws |
|           | M413506    | Jumper Harness Assembly            | 208 Volt  |
|           | M413507    | Jumper Configuration Assembly      | 240 Volt  |
| <b>1</b>  | F8206901   | Screw                              |   |
| <b>2</b>  | 803527P    | Transformer                        |   |
| <b>3</b>  | 70030501   | Expansion Clip                     |   |
| <b>4</b>  | 44071501   | Snap Bushing                       |   |
| <b>5</b>  | F430232    | Nut                                |   |
| <b>6</b>  | F430903    | Screw                              |   |
| <b>7</b>  | F8189401P  | Auxiliary Control Assembly         |   |
| <b>8</b>  | F980P3     | Control Assembly Kit               | Includes item 11 and F8108001 Output Assembly                     |
|           | 802493     | Fuse                               | 2.5 Amp   |
| <b>9</b>  | F8223001P  | Water Pressure Switch              |   |
| <b>10</b> | F8153901   | Tubing                             |   |
| <b>11</b> | F8246601   | Tee                                |   |
| <b>12</b> | F200222    | Hose Clamp                         | No. 12  |
| <b>13</b> | F020014200 | Air Trap Hose                      |   |
| <b>14</b> | 201616P    | Transformer                        | External supply   |
| <b>15</b> | F8195803   | Support Bracket                    |   |
| <b>16</b> | F8053901P  | EMI Filter                         | 240 Volt; International models only                               |
|           | F8053902   | EMI Filter                         | 480 Volt; International models only                               |
| <b>17</b> | F8169401   | PowerFlex 40 Drive                 | 20 pound models; Models through 2/28/10; Q and X-voltage          |
|           | F8169402   | PowerFlex 40 Drive                 | 20 pound models; Models through 2/28/10; N, P and R-voltage       |
|           | F8169403   | PowerFlex 40 Drive                 | 30 pound models; Models through 2/28/10; Q and X-voltage          |
|           | F8169404   | PowerFlex 40 Drive                 | 30 pound models; Models through 2/28/10; N, P and R-voltage       |
|           | F8169405   | PowerFlex 40 Drive                 | 40 pound models; Models through 3/8/10; Q and X-voltage           |
|           | F8169406   | PowerFlex 40 Drive                 | 40 pound models; Models through 3/8/10; N, P and R-voltage        |
|           | F8169407   | PowerFlex 40 Drive                 | 60 pound models; Models through 3/8/10; Q and X-voltage           |
|           | F8169408   | PowerFlex 40 Drive                 | 60 pound models; Models through 3/8/10; N, P and R-voltage        |
|           | F8169434   | PowerFlex 40 Drive                 | 20 pound models; Models starting 3/1/10; Q and X-voltage          |
|           | F8169435   | PowerFlex 40 Drive                 | 20 pound models; Models starting 3/1/10; N, P and R-voltage       |
|           | F8169436   | PowerFlex 40 Drive                 | 30 pound models; Models starting 3/1/10; Q and X-voltage          |
|           | F8169437   | PowerFlex 40 Drive                 | 30 pound models; Models starting 3/1/10; N, P and R-voltage       |
|           | F8169438   | PowerFlex 40 Drive                 | 40 pound models; Models starting 3/9/10; Q and X-voltage          |
|           | F8169439   | PowerFlex 40 Drive                 | 40 pound models; Models starting 3/9/10; N, P and R-voltage       |
|           | F8169440   | PowerFlex 40 Drive                 | 60 pound models; Models starting 3/9/10; Q and X-voltage          |
|           | F8169441   | PowerFlex 40 Drive                 | 60 pound models; Models starting 3/9/10; N, P and R-voltage       |
| <b>18</b> | F8205902   | Control Tray Assembly              | 20 and 30 pound models  |
|           | F8205903   | Control Tray Assembly              | 40 and 60 pound models  |
| <b>19</b> | F360157P   | Transformer                        | B-voltage   |
| <b>20</b> | F983P3     | Control Kit                        | F-speed models; Includes F8028701 Output/Logic Harness            |
|           | F988P3     | Front End Control Kit              | V-speed models; Includes F8028701 Output/Logic Harness            |
| <b>21</b> | F431017    | Nut                                |   |
| <b>22</b> | F8069501   | Contact Switch                     |   |
| <b>23</b> | F200233401 | Contact Block Switch               |   |
| <b>24</b> | 24205      | Nut                                |   |
| <b>25</b> | F8201301   | Emergency Stop Plate               |   |
| <b>26</b> | F200233500 | Emergency Stop Pushbutton          |   |

# Control Module - Design 2 and 3 OPL Models (Drawing 1 of 2)

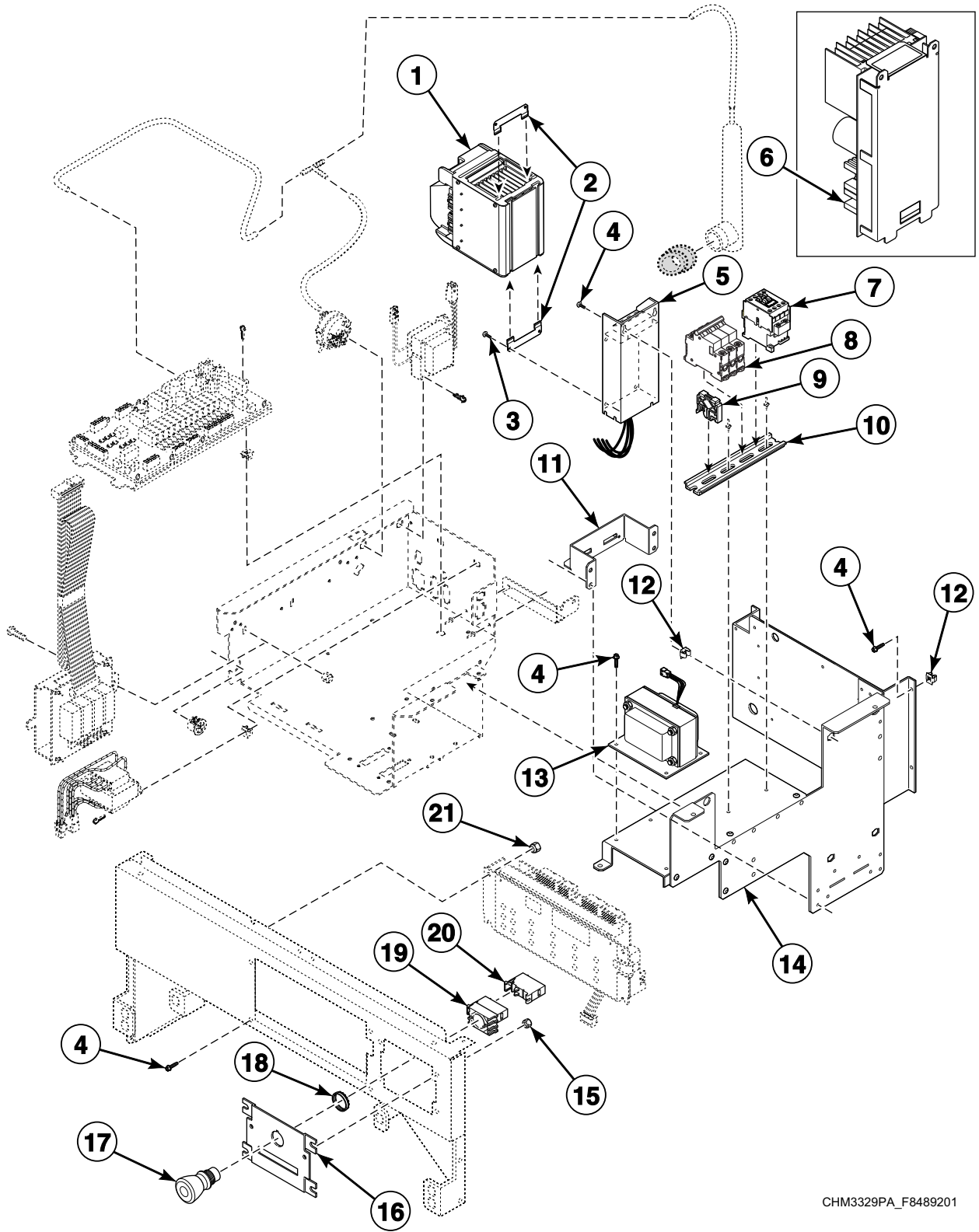


CHM3329P\_F8489201

## Control Module - Design 2 and 3 OPL Models (Drawing 1 of 2)

| REF       | PART NO.  | DESCRIPTION                        | COMMENTS  |
|-----------|-----------|------------------------------------|---|
|           | F8028701  | Output/Logic Harness               |   |
|           | F8060501  | Emergency Stop Harness             |   |
|           | F8261501P | Control Tray Harness               |   |
|           | F8028101P | Machine Size Configuration Harness | 20 pound models   |
|           | F8028103P | Machine Size Configuration Harness | 30 pound models   |
|           | F8028104P | Machine Size Configuration Harness | 40 pound models   |
|           | F8028105P | Machine Size Configuration Harness | 60 pound models   |
|           | F8167901  | USB IR Device Assembly             |   |
|           | F8191203  | External Supply Harness            | 20 and 30 pound models  |
|           | F8191201P | External Supply Harness            | 40 and 60 pound models  |
|           | F937P3    | External Supply Kit                | Includes items 1, 8, 15, F8191201P External Supply Harness and screws |
|           | M413506   | Jumper Harness Assembly            | 208 Volt  |
|           | M413507   | Jumper Configuration Assembly      | 240 Volt  |
| <b>1</b>  | F8206901  | Screw                              |   |
| <b>2</b>  | 803527P   | Transformer                        |   |
| <b>3</b>  | 44071501  | Snap Bushing                       |   |
| <b>4</b>  | 70030501  | Expansion Clip                     |   |
| <b>5</b>  | F430232   | Nut                                |   |
| <b>6</b>  | F430903   | Screw                              |   |
| <b>7</b>  | F8189401P | Auxiliary Control Assembly         |   |
| <b>8</b>  | F980P3    | Control Assembly Kit               | Includes item 11 and F8108001 Output Assembly                         |
|           | 802493    | Fuse                               | 2.5 Amp   |
| <b>9</b>  | F8404401  | Water Pressure Switch              | Electric heat   |
| <b>10</b> | F8153901  | Tubing                             |   |
| <b>11</b> | F8246601  | Tee                                | Electric heat   |
|           | F8431001  | Hose Barb Connector                | All other models  |
| <b>12</b> | 201616P   | Transformer                        | External supply   |
| <b>13</b> | F8405301  | Hose                               |   |
| <b>14</b> | 30907     | Pressure Bulb                      |   |
| <b>15</b> | F8433001  | Grommet                            |   |
| <b>16</b> | F8359601  | Control Tray Assembly              | 20 and 30 pound models  |
|           | F8359603  | Control Tray Assembly              | 40 and 60 pound models  |
| <b>17</b> | F8375201  | Tray Support Bracket               |   |
| <b>18</b> | F107P3    | Front End Control Kit              | F-speed models; Includes F8028701 Output/Logic Harness                |
|           | F106P3    | Front End Control Kit              | V-speed models; Includes F8028701 Output/Logic Harness                |

# Control Module - Design 2 and 3 OPL Models (Drawing 2 of 2)

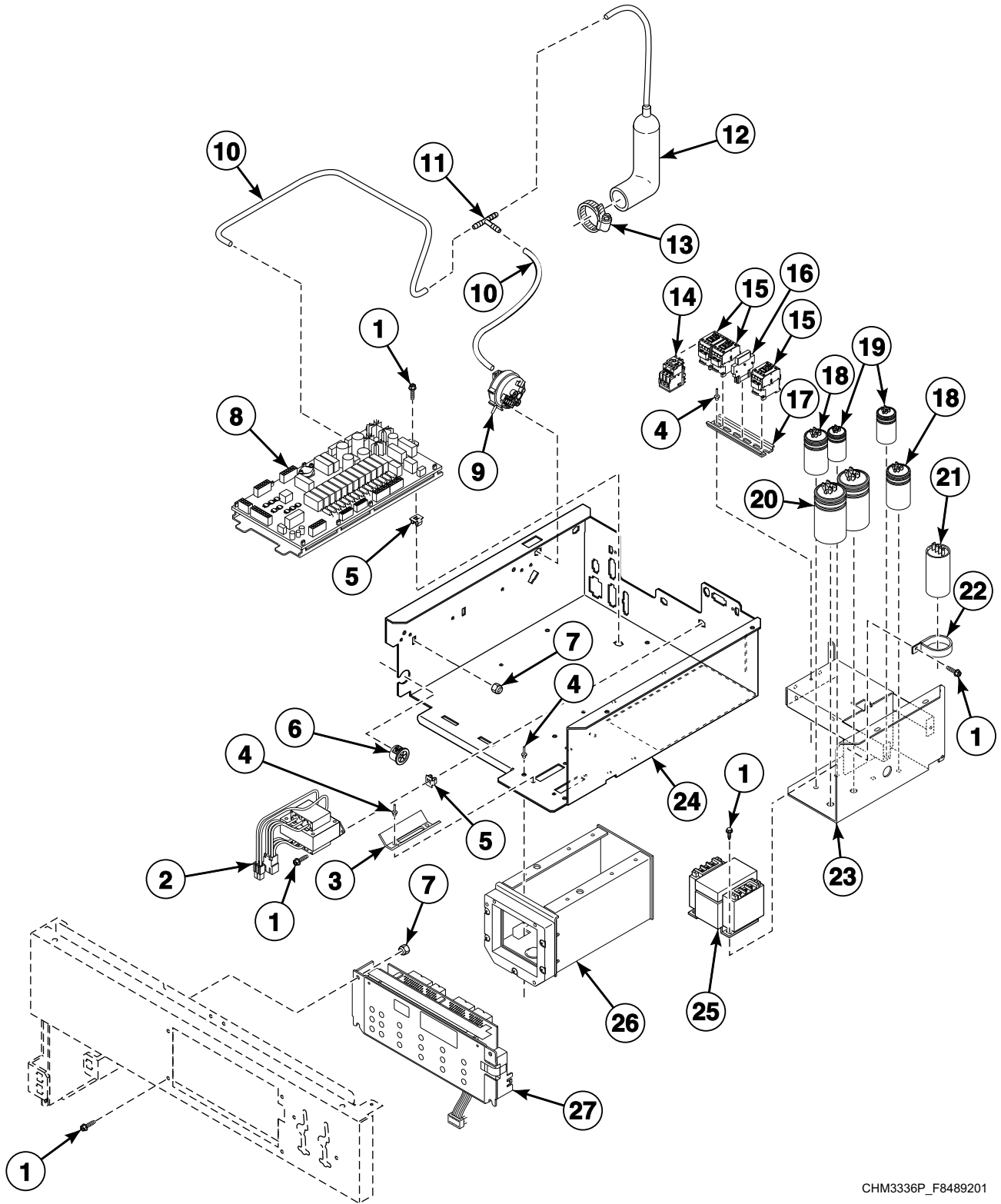


CHM3329PA\_F8489201

## Control Module - Design 2 and 3 OPL Models (Drawing 2 of 2)

| REF | PART NO.   | DESCRIPTION                  | COMMENTS  |
|-----|------------|------------------------------|---|
| 1   | F8303601P  | Drive Assembly               | N and P-voltage; 5 hp                                 |
|     | F8204701P  | Drive Assembly               | 60 pound models; Q and X-voltage; 3 hp                |
| 2   | F8322401   | Drive Mounting Bracket       | Use with item 1                                       |
| 3   | 503688     | Screw                        |   |
| 4   | F8206901   | Screw                        |   |
| 5   | F8053901P  | EMI Filter                   | 240 Volt; International models only                   |
|     | F8053902   | EMI Filter                   | 480 Volt; International models only                   |
| 6   | F8327301P  | Drive Assembly               | 20 , 30 and 40 pound models; B, Q and X-voltage; 2 hp |
| 7   | F330177P   | Contacto                     |   |
| 8   | 70256901P  | Circuit Breaker              | Electric heat   |
| 9   | F8449801   | End Stop                     |   |
| 10  | F8385301   | DIN Rail                     |   |
| 11  | F8310101   | Lower Drive Mounting Bracket | Use with item 6                                       |
| 12  | 70030501   | Expansion Clip               |   |
| 13  | F8401301   | Transformer                  |   |
| 14  | F8359801   | Drive Tray Assembly          | 20 pound models                                       |
|     | F8359802   | Drive Tray Assembly          | 30 pound models                                       |
|     | F8359803   | Drive Tray Assembly          | 40 and 60 pound models                                |
| 15  | F431017    | Nut                          |   |
| 16  | F8201301   | Emergency Stop Plate         |   |
| 17  | F200233500 | Emergency Stop Pushbutton    |   |
| 18  | 24205      | Nut                          |   |
| 19  | F200233401 | Contact Block Switch         |   |
| 20  | F8069501   | Contact Switch               |   |
| 21  | F430232    | Nut                          |   |

# Control Module - 2 Speed Coin Models

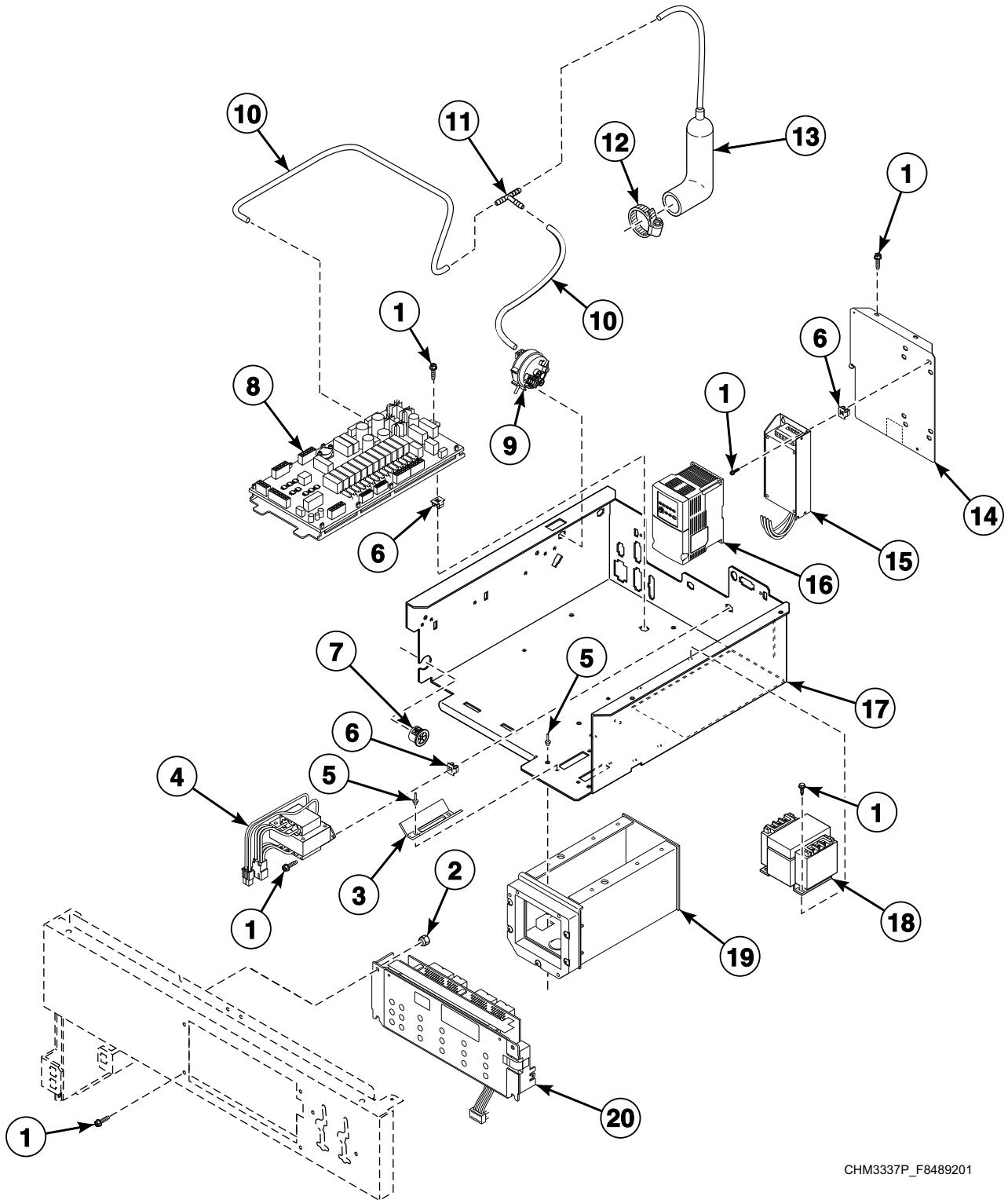


CHM3336P\_F8489201

## Control Module - 2 Speed Coin Models

| REF | PART NO.    | DESCRIPTION                        | COMMENTS  |
|-----|-------------|------------------------------------|---|
|     | F8028701    | Output/Logic Harness               |   |
|     | F8028101P   | Machine Size Configuration Harness | 20 pound models   |
|     | F8028103P   | Machine Size Configuration Harness | 30 pound models   |
|     | F8028104P   | Machine Size Configuration Harness | 40 pound models   |
|     | F8028105P   | Machine Size Configuration Harness | 60 pound models   |
|     | F8167901    | USB IR Device Assembly             |   |
|     | M413506     | Jumper Harness Assembly            | 208 Volt  |
|     | M413507     | Jumper Configuration Assembly      | 240 Volt  |
| 1   | F8206901    | Screw                              |   |
| 2   | 803527P     | Transformer                        |   |
| 3   | F8170801    | Coin Chute                         |   |
| 4   | 70058501    | Pop Rivet                          |   |
| 5   | 70030501    | Expansion Clip                     |   |
| 6   | 44071501    | Snap Bushing                       |   |
| 7   | F430232     | Nut                                |   |
| 8   | F980P3      | Control Assembly Kit               | Includes item 11 and F8108001 Output Assembly                                 |
|     | 802493      | Fuse                               | 2.5 Amp   |
| 9   | F8223001P   | Water Pressure Switch              |   |
| 10  | F8153901    | Tubing                             |   |
| 11  | F8246601    | Tee                                | Electric and steam heat   |
|     | F8431001    | Hose Barb Connector                | All other models  |
| 12  | F020014200  | Air Trap Hose                      |   |
| 13  | F200222     | Hose Clamp                         | No. 12  |
| 14  | F8176101P   | Overload Contactor                 |   |
| 15  | F330177P    | Contacto                           |   |
| 16  | F330186P    | Interlock Contactor                |   |
| 17  | F8200101    | DIN Rail                           |   |
| 18  | F8411901    | Capacitor                          | 50 MFD; 20 pound models Y-voltage, 1 used; 40 pound models Y-voltage, 2 used  |
|     | F370221     | Capacitor                          | 100 MFD; 20 pound models B-voltage, 1 used                                    |
| 19  | F8411701    | Capacitor                          | 20 MFD; 30 pound models Y-voltage, 4 used; 40 pound models Y-voltage, 2 used  |
|     | F8411801    | Capacitor                          | 25 MFD; 20 pound models Y-voltage, 2 used                                     |
| 20  | F370218P    | Capacitor                          | 160 MFD; 40 pound models Y-voltage, 2 used                                    |
|     | F370220     | Capacitor                          | 130 MFD; 20 pound models B-voltage, 2 used; 30 pound models Y-voltage, 1 used |
| 21  | F340002     | Motor Switch                       | 50 Amp  |
| 22  | F0340722-00 | Switch Clamp                       |   |
| 23  | F8199601    | Capacitor Tray Assembly            | 20 pound models; B and Y-voltage  |
|     | F8199901    | Capacitor Tray Assembly            | All other models; B and Y-voltage   |
|     | F8343401    | Contacto                           | C, F, J and O-voltage   |
| 24  | F8205902    | Control Tray Assembly              | 20 and 30 pound models; Includes items 3 and 25                               |
|     | F8205903    | Control Tray Assembly              | 40 and 60 pound models; Includes items 3 and 25                               |
| 25  | F360157P    | Transformer                        |   |
| 26  | F8182501    | Coin Vault Assembly                | 20 and 30 pound models  |
|     | F8182601    | Coin Vault Assembly                | 40 and 60 pound models  |
| 27  | F987P3      | Control Kit                        | HCL and HCU models; Includes F8028101P Machine Size Configuration Harness     |
|     | F990P3      | Control Kit                        | HCN models; Includes F8028101P Machine Size Configuration Harness             |

# Control Module - F and V-Speed Design 1 Coin Models



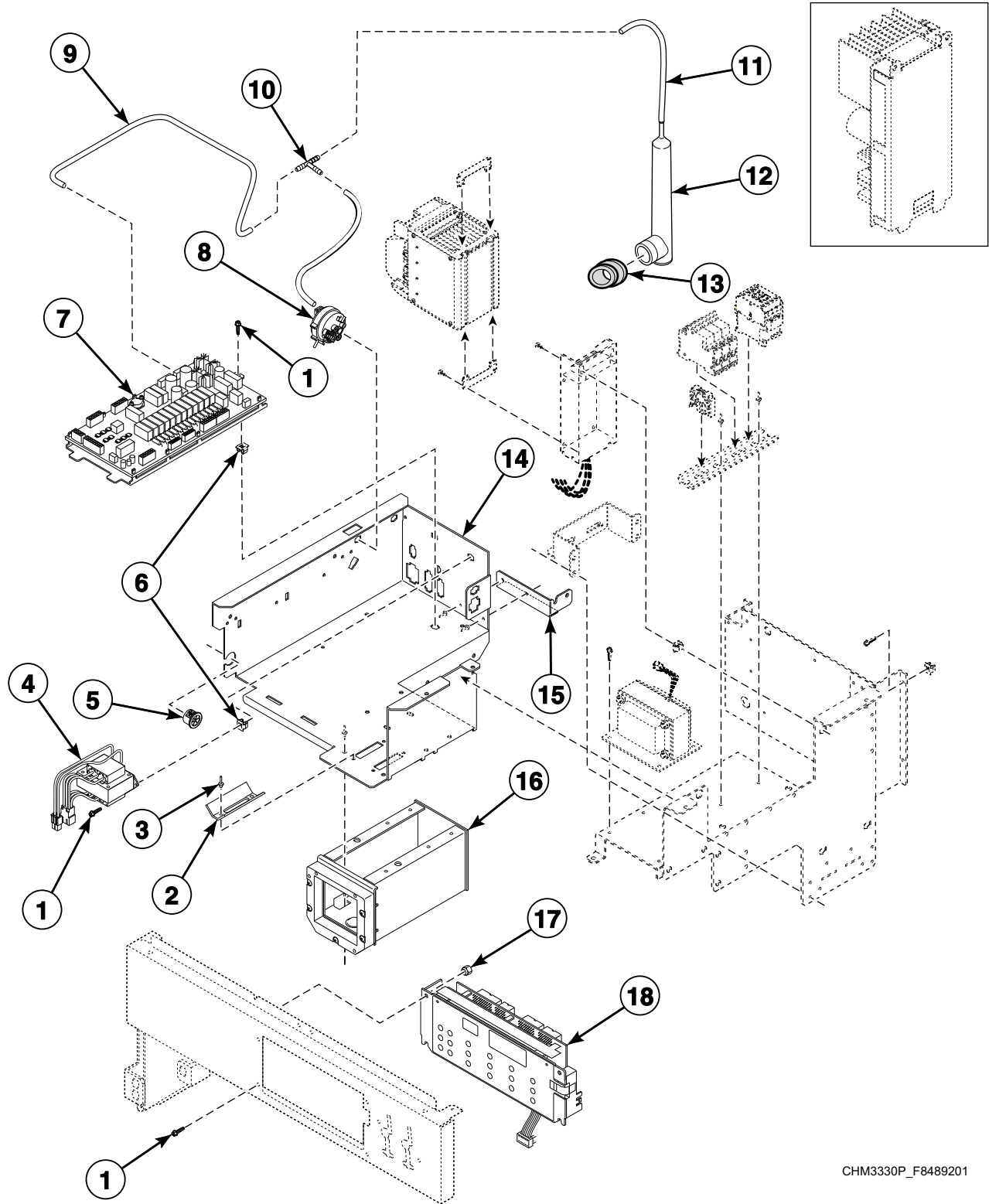
CHM3337P\_F8489201



# Control Module - F and V-Speed Design 1 Coin Models

| REF       | PART NO.   | DESCRIPTION                        | COMMENTS   |
|-----------|------------|------------------------------------|--|
|           | F8028701   | Output/Logic Harness               |  |
|           | F8261501P  | Control Tray Harness               | 40 and 60 pound models   |
|           | F8028101P  | Machine Size Configuration Harness | 20 pound models  |
|           | F8028103P  | Machine Size Configuration Harness | 30 pound models  |
|           | F8028104P  | Machine Size Configuration Harness | 40 pound models  |
|           | F8028105P  | Machine Size Configuration Harness | 60 pound models  |
|           | F8167901   | USB IR Device Assembly             |  |
|           | M413506    | Jumper Harness Assembly            | 208 Volt   |
|           | M413507    | Jumper Configuration Assembly      | 240 Volt   |
| <b>1</b>  | F8206901   | Screw                              |  |
| <b>2</b>  | F430232    | Nut                                |  |
| <b>3</b>  | F8170801   | Coin Chute                         |  |
| <b>4</b>  | 803527P    | Transformer                        |  |
| <b>5</b>  | 70058501   | Pop Rivet                          |  |
| <b>6</b>  | 70030501   | Expansion Clip                     |  |
| <b>7</b>  | 44071501   | Snap Bushing                       |  |
| <b>8</b>  | F980P3     | Control Assembly Kit               | Includes item 11 and F8108001 Output Assembly                      |
|           | 802493     | Fuse                               | 2.5 Amp  |
| <b>9</b>  | F8223001P  | Water Pressure Switch              |  |
| <b>10</b> | F8153901   | Tubing                             |  |
| <b>11</b> | F8246601   | Tee                                | Electric and steam heat  |
|           | F8431001   | Hose Barb Connector                | All other models   |
| <b>12</b> | F200222    | Hose Clamp                         | No. 12   |
| <b>13</b> | F020014200 | Air Trap Hose                      |  |
| <b>14</b> | F8195803   | Support Bracket                    |  |
| <b>15</b> | F8053901P  | EMI Filter                         | 200 Volt   |
|           | F8053902   | EMI Filter                         | 400 Volt   |
| <b>16</b> | F8169401   | PowerFlex 40 Drive                 | 20 pound models; Models through 2/28/10; Q and X-voltage           |
|           | F8169402   | PowerFlex 40 Drive                 | 20 pound models; Models through 2/28/10; N, P and R-voltage        |
|           | F8169403   | PowerFlex 40 Drive                 | 30 pound models; Models through 2/28/10; Q and X-voltage           |
|           | F8169404   | PowerFlex 40 Drive                 | 30 pound models; Models through 2/28/10; N, P and R-voltage        |
|           | F8169405   | PowerFlex 40 Drive                 | 40 pound models; Models through 3/8/10; Q and X-voltage            |
|           | F8169406   | PowerFlex 40 Drive                 | 40 pound models; Models through 3/8/10; N, P and R-voltage         |
|           | F8169407   | PowerFlex 40 Drive                 | 60 pound models; Models through 3/8/10; Q and X-voltage            |
|           | F8169408   | PowerFlex 40 Drive                 | 60 pound models; Models through 3/8/10; N, P and R-voltage         |
|           | F8169434   | PowerFlex 40 Drive                 | 20 pound models; Models starting 3/1/10; Q and X-voltage           |
|           | F8169435   | PowerFlex 40 Drive                 | 20 pound models; Models starting 3/1/10; N, P and R-voltage        |
|           | F8169436   | PowerFlex 40 Drive                 | 30 pound models; Models starting 3/1/10; Q and X-voltage           |
|           | F8169437   | PowerFlex 40 Drive                 | 30 pound models; Models starting 3/1/10; N, P and R-voltage        |
|           | F8169438   | PowerFlex 40 Drive                 | 40 pound models; Models starting 3/9/10; Q and X-voltage           |
|           | F8169439   | PowerFlex 40 Drive                 | 40 pound models; Models starting 3/9/10; N, P and R-voltage        |
|           | F8169440   | PowerFlex 40 Drive                 | 60 pound models; Models starting 3/9/10; Q and X-voltage           |
|           | F8169441   | PowerFlex 40 Drive                 | 60 pound models; Models starting 3/9/10; N, P and R-voltage        |
| <b>17</b> | F8205902   | Control Tray Assembly              | 20 and 30 pound models; Includes items 5 and 19                    |
|           | F8205903   | Control Tray Assembly              | 40 and 60 pound models; Includes items 5 and 19                    |
| <b>18</b> | F360157P   | Transformer                        | B-voltage  |
| <b>19</b> | F8182501   | Coin Vault Assembly                | 20 and 30 pound models   |
|           | F8182601   | Coin Vault Assembly                | 40 and 60 pound models   |
| <b>20</b> | F990P3     | Control Kit                        | HCN F-speed models; Includes F8028701 Output/Logic Harness         |
|           | F991P3     | Control Kit                        | HCL and HCU F-speed models; Includes F8028701 Output/Logic Harness |
|           | F986P3     | Front End Control Kit              | HCN V-speed models; Includes F8028701 Output/Logic Harness         |
|           | F987P3     | Control Kit                        | HCL and HCU V-speed models; Includes F8028701 Output/Logic Harness |

# Control Module - Design 2 and 3 Coin Models (Drawing 1 of 2)

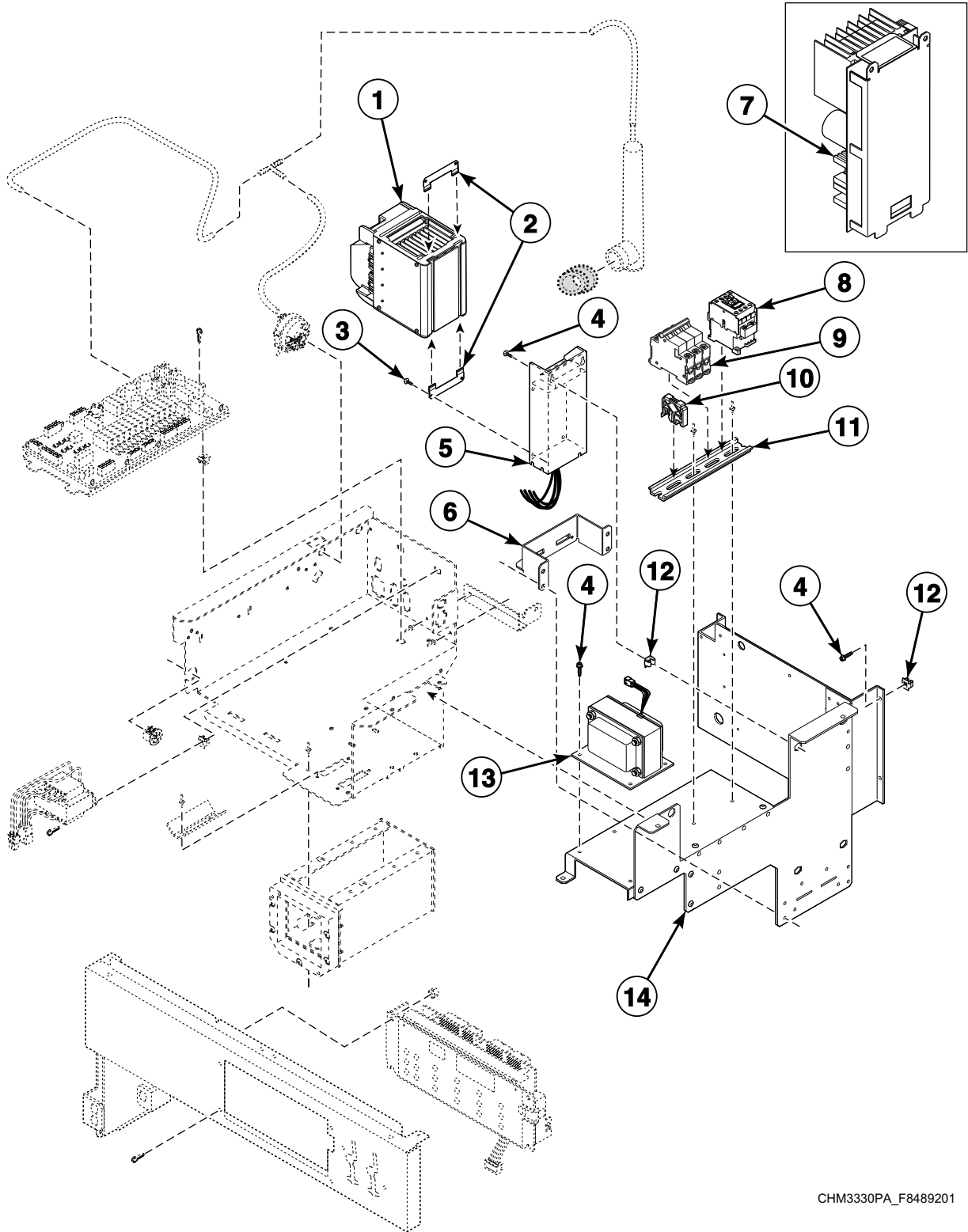


CHM3330P\_F8489201

## Control Module - Design 2 and 3 Coin Models (Drawing 1 of 2)

| REF       | PART NO.  | DESCRIPTION                        | COMMENTS  |
|-----------|-----------|------------------------------------|---|
|           | F8028701  | Output/Logic Harness               |   |
|           | F8261501P | Control Tray Harness               | 40 and 60 pound models  |
|           | F8028101P | Machine Size Configuration Harness | 20 pound models   |
|           | F8028103P | Machine Size Configuration Harness | 30 pound models   |
|           | F8028104P | Machine Size Configuration Harness | 40 pound models   |
|           | F8028105P | Machine Size Configuration Harness | 60 pound models   |
|           | F8167901  | USB IR Device Assembly             |   |
|           | M413506   | Jumper Harness Assembly            | 208 Volt  |
|           | M413507   | Jumper Configuration Assembly      | 240 Volt  |
|           | F8191203  | External Supply Harness            | 20 and 30 pound models  |
|           | F8191201P | External Supply Harness            | 40 and 60 pound models  |
|           | F937P3    | External Supply Kit                | Includes items 1, 7, 14, F8191201P External Supply Harness and screws |
| <b>1</b>  | F8206901  | Screw                              |   |
| <b>2</b>  | F8170801  | Coin Chute                         |   |
| <b>3</b>  | 70058501  | Pop Rivet                          |   |
| <b>4</b>  | 803527P   | Transformer                        |   |
| <b>5</b>  | 44071501  | Snap Bushing                       |   |
| <b>6</b>  | 70030501  | Expansion Clip                     |   |
| <b>7</b>  | F980P3    | Control Assembly Kit               | Includes item 10 and F8108001 Output Assembly                         |
| <b>8</b>  | F8404401  | Water Pressure Switch              |   |
| <b>9</b>  | F8153901  | Tubing                             |   |
| <b>10</b> | F8246601  | Tee                                | Electric and steam heat   |
|           | F8431001  | Hose Barb Connector                | All other models  |
| <b>11</b> | F8405301  | Hose                               |   |
| <b>12</b> | 30907     | Pressure Bulb                      |   |
| <b>13</b> | F8433001  | Grommet                            |   |
| <b>14</b> | F8359602  | Control Tray Assembly              | Design 2; 20 and 30 pound models; Includes items 4 and 16             |
|           | F8359707  | Control Tray Assembly              | Design 3; 20 and 30 pound models; Includes items 4 and 16             |
|           | F8359604  | Control Tray Assembly              | 40 and 60 pound models; Includes items 4 and 16                       |
| <b>15</b> | F8375201  | Tray Support Bracket               |   |
| <b>16</b> | F8182501  | Coin Vault Assembly                | Design 2; 20 and 30 pound models                                      |
|           | F8182601  | Coin Vault Assembly                | All other models  |
| <b>17</b> | F430232   | Nut                                |   |
| <b>18</b> | F108P3    | Front End Control Kit              | HCN F-speed models; Includes F8028701 Output/Logic Harness            |
|           | F104P3    | Front End Control Kit              | HCN V-speed models; Includes F8028701 Output/Logic Harness            |
|           | F109P3    | Front End Control Kit              | HCL and HCU F-speed models; Includes F8028701 Output/Logic Harness    |
|           | F105P3    | Front End Control Kit              | HCL and HCU V-speed models; Includes F8028701 Output/Logic Harness    |

# Control Module - Design 2 and 3 Coin Models (Drawing 2 of 2)

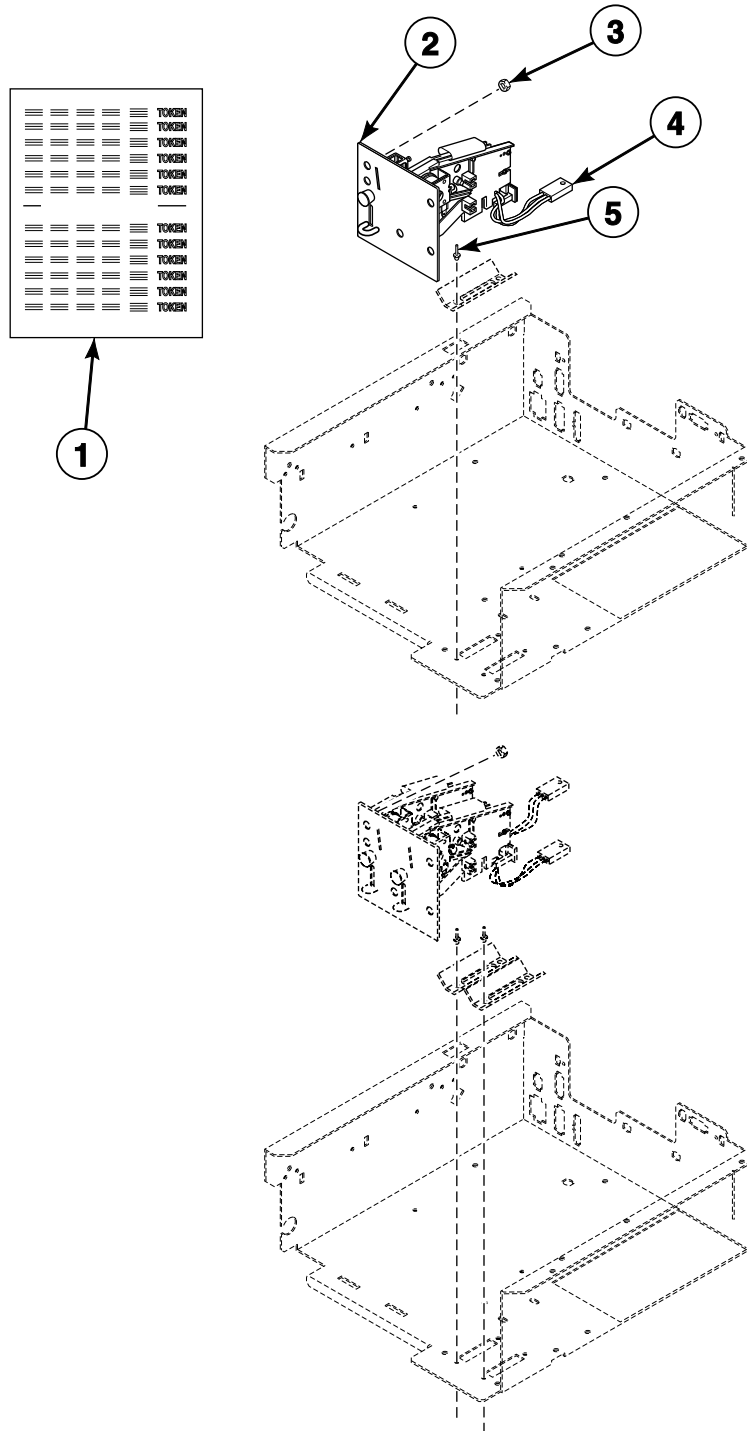


CHM3330PA\_F8489201

## Control Module - Design 2 and 3 Coin Models (Drawing 2 of 2)

| REF | PART NO.  | DESCRIPTION                  | COMMENTS  |
|-----|-----------|------------------------------|---|
| 1   | F8303601P | Drive Assembly               | N and P-voltage; 5 hp                                 |
|     | F8204701P | Drive Assembly               | 60 pound models; Q and X-voltage; 3 hp                |
| 2   | F8322401  | Drive Mounting Bracket       | Use with item 1                                       |
| 3   | 503688    | Screw                        |   |
| 4   | F8206901  | Screw                        |   |
| 5   | F8053901P | EMI Filter                   | 240 Volt; International models only                   |
|     | F8053902  | EMI Filter                   | 480 Volt; International models only                   |
| 6   | F8310101  | Lower Drive Mounting Bracket | Use with item 7                                       |
| 7   | F8327301P | Drive Assembly               | 20 , 30 and 40 pound models; B, Q and X-voltage; 2 hp |
| 8   | F330177P  | Contactors                   |   |
| 9   | 70256901P | Circuit Breaker              | Electric and steam heat                               |
| 10  | F8449801  | End Stop                     |   |
| 11  | F8385301  | DIN Rail                     |   |
| 12  | 70030501  | Expansion Clip               |   |
| 13  | F8401301  | Transformer                  |   |
| 14  | F8359801  | Drive Tray Assembly          | 20 pound models                                       |
|     | F8359802  | Drive Tray Assembly          | 30 pound models                                       |
|     | F8359803  | Drive Tray Assembly          | 40 and 60 pound models                                |

# Flush Mount Coin Meter Assembly - Single Drop



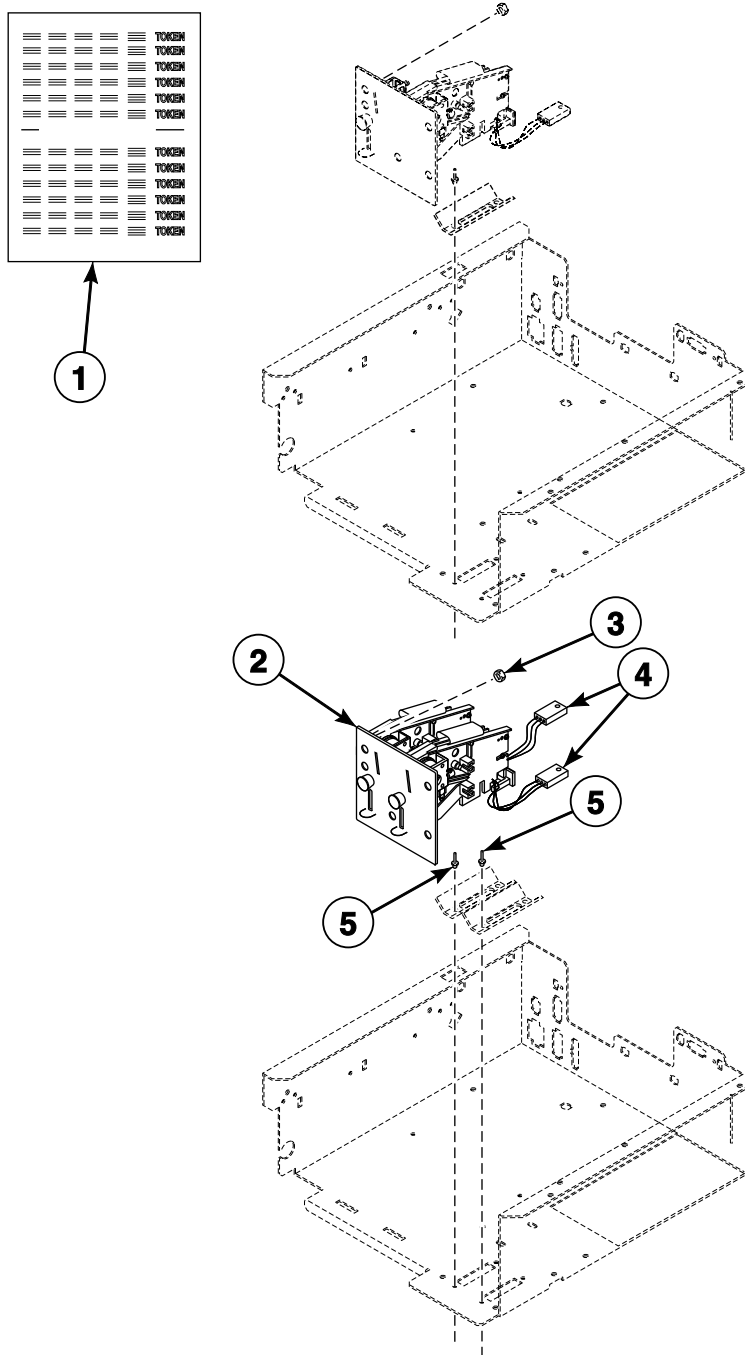
CHM3088P\_F8489201

## Flush Mount Coin Meter Assembly - Single Drop

| REF      | PART NO.    | DESCRIPTION               | COMMENTS                                  |
|----------|-------------|---------------------------|---|
|          | F200010000P | Coin Meter Assembly       | U.S. \$.25; Includes items 2 and 3        |
|          | F200010006  | Coin Meter Assembly       | .800 token; Includes items 2 and 3        |
|          | F200010007  | Coin Meter Assembly       | .880 token; Includes items 2 and 3        |
|          | F200010009  | Coin Meter Assembly       | .990 token; Includes items 2 and 3        |
|          | F200010011  | Coin Meter Assembly       | Jeton WH121 token; Includes items 2 and 3 |
|          | F200010012  | Coin Meter Assembly       | Jeton .08 token; Includes items 2 and 3   |
| <b>1</b> | 38725       | Coin Identification Paper |   |
| <b>2</b> | 38464P      | Coin Drop Assembly        | Canada .25                                |
|          | N/A         | Coin Drop Assembly        | Australia .20                             |
|          | N/A         | Coin Drop Assembly        | Belgium 5 franc                           |
|          | N/A         | Coin Drop Assembly        | Denmark 2 krone                           |
|          | N/A         | Coin Drop Assembly        | United Kingdom 20 pence                   |
|          | N/A         | Coin Drop Assembly        | France 2 franc                            |
|          | N/A         | Coin Drop Assembly        | Hong Kong 5 dollar                        |
|          | N/A         | Coin Drop Assembly        | Italy 500 lirrighet                       |
|          | N/A         | Coin Drop Assembly        | Japan 100 yen                             |
|          | N/A         | Coin Drop Assembly        | Korea 500 won                             |
|          | N/A         | Coin Drop Assembly        | South Africa 2 rand                       |
|          | N/A         | Coin Drop Assembly        | Spain 100 peseta                          |
|          | N/A         | Coin Drop Assembly        | Thailand 10 baht                          |
|          | N/A         | Coin Drop Assembly        | .886 token                                |
|          | N/A         | Coin Drop Assembly        | 1.000 token                               |
|          | N/A         | Coin Drop Assembly        | Jeton 08 token                            |
|          | 70441601P   | Coin Drop                 | U.S. \$.25                                |
|          | N/A         | Coin Drop Assembly        | .800 token                                |
|          | 38462P      | Coin Drop Assembly        | .880 token                                |
|          | 38463       | Coin Drop Assembly        | .990 token                                |
|          | N/A         | Coin Drop Assembly        | Jeton WH121 token                         |
|          | N/A         | Coin Meter                | Jeton .08 token                           |
| <b>3</b> | 685846      | Nut                       |   |
| <b>4</b> | 200674P     | Opto Coupler              |   |
| <b>5</b> | 70058501    | Pop Rivet                 |   |

**N/A = Part no longer available**

# Flush Mount Coin Meter Assembly - Dual Drop



CHM3088PA\_F8489201

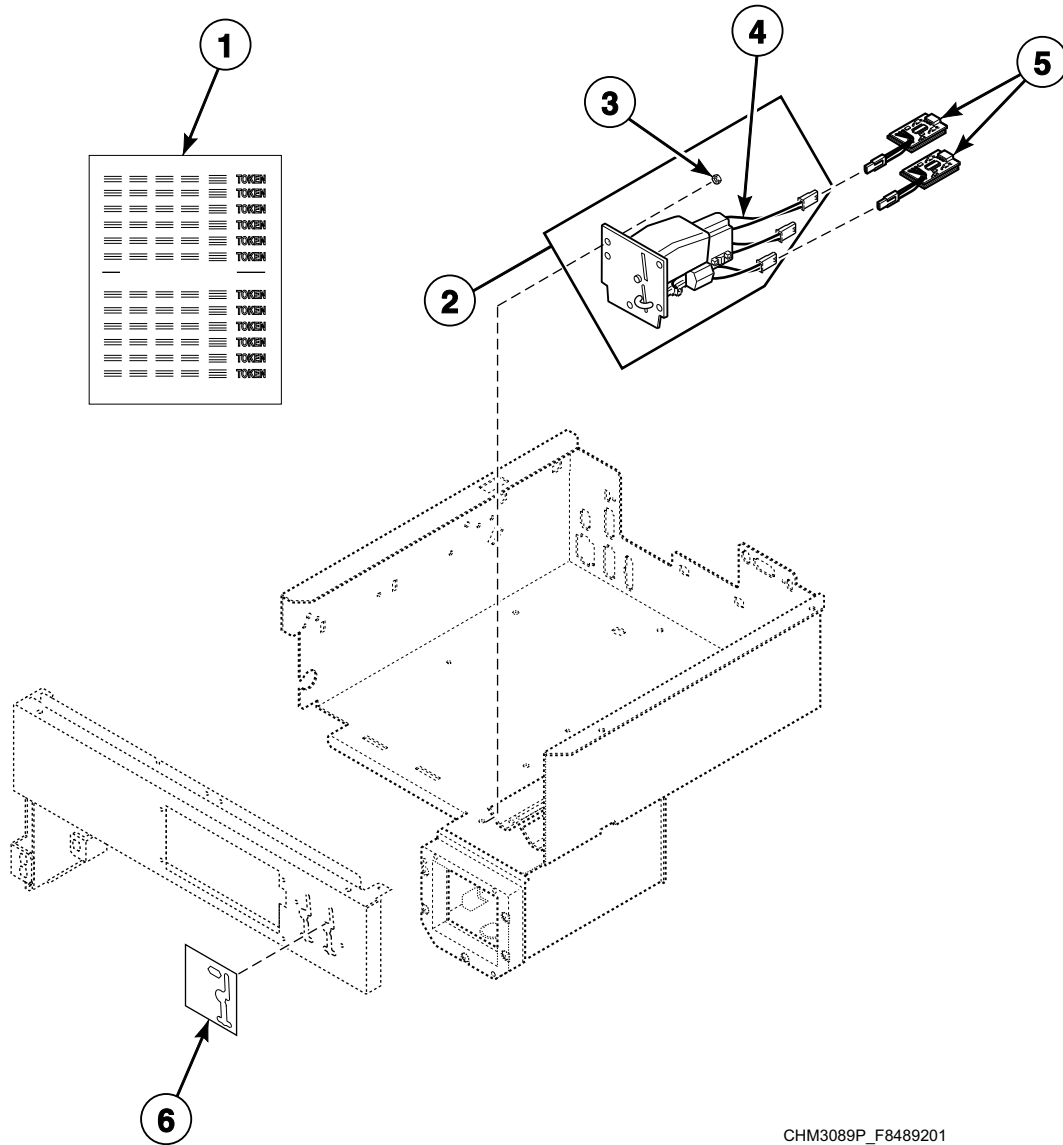


## Flush Mount Coin Meter Assembly - Dual Drop

| REF      | PART NO.    | DESCRIPTION               | COMMENTS   |
|----------|-------------|---------------------------|--|
|          | F200010001  | Coin Meter Assembly       | Australia .20 and 1.00; Includes items 2 and 3   |
|          | F200010002  | Coin Meter Assembly       | 100 and 500 yen; Includes items 2 and 3          |
|          | F200010003  | Coin Meter Assembly       | Canada .25 and 1.00; Includes items 2 and 3      |
|          | F200010004  | Coin Meter Assembly       | New Zealand .20 and 1.00; Includes items 2 and 3 |
|          | F200010005  | Coin Meter Assembly       | U.S. \$.25 and \$1.00; Includes items 2 and 3    |
|          | F200010008  | Coin Meter Assembly       | .50 and 2.00 euro; Includes items 2 and 3        |
|          | F200010010  | Coin Meter Assembly       | 10 and 50 Taiwan; Includes items 2 and 3         |
| <b>1</b> | 38725       | Coin Identification Paper |  |
| <b>2</b> | N/A         | Coin Meter                | 10 and 50 Taiwan                                 |
|          | N/A         | Coin Meter                | Belgium 5 and 20 franc                           |
|          | N/A         | Coin Meter                | Denmark 1 and 5 krone                            |
|          | N/A         | Coin Meter                | Denmark 5 and 10 krone                           |
|          | 38472       | Coin Drop Assembly        | United Kingdom 20 pence and 1 pound              |
|          | N/A         | Coin Meter                | .20 and .50 euro                                 |
|          | 210195      | Coin Drop Assembly        | .20 and 1.00 euro                                |
|          | 210196      | Coin Drop Assembly        | .50 and 1.00 euro                                |
|          | N/A         | Coin Meter                | 2 and 5 franc                                    |
|          | N/A         | Coin Meter                | 2 and 10 franc                                   |
|          | 39157       | Coin Drop Assembly        | Israel 1 and 5 shekel                            |
|          | 38521       | Coin Drop Assembly        | Korea 100 and 500 won                            |
|          | N/A         | Coin Meter                | Spain 100 and 500 peseta                         |
|          | N/A         | Coin Drop Assembly        | Australia .20 and 1.00                           |
|          | N/A         | Coin Drop Assembly        | Japan 100 and 500 yen                            |
|          | N/A         | Coin Drop Assembly        | Canada .25 and 1.00                              |
|          | N/A         | Coin Drop Assembly        | New Zealand .20 and 1.00                         |
|          | 70256402P   | Coin Drop                 | U.S. \$.25 and \$1.00                            |
|          | F0160737-00 | Coin Meter                | .50 and 2.00 euro                                |
|          | 70281102    | Coin Drop Assembly        | Taiwan 10 and 50 dollar                          |
|          | N/A         | Coin Meter                | Taiwan 5 and 10 dollar                           |
| <b>3</b> | 685846      | Nut                       |  |
| <b>4</b> | 200674P     | Opto Coupler              |  |
| <b>5</b> | 70058501    | Pop Rivet                 |  |

**N/A = Part no longer available**

# Electronic Coin Meter Assembly

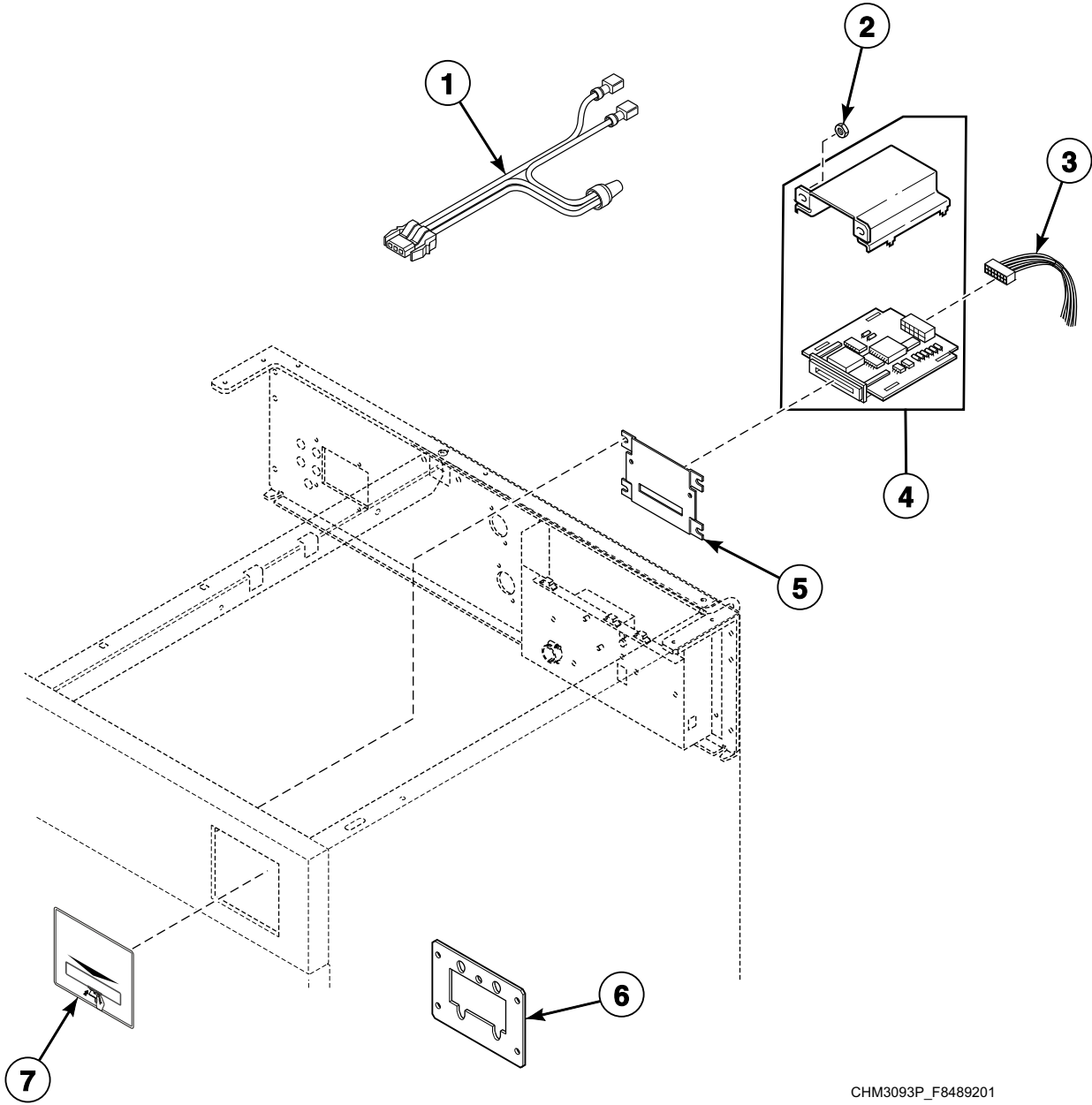


CHM3089P\_F8489201

# Electronic Coin Meter Assembly

| REF      | PART NO.    | DESCRIPTION                   | COMMENTS  |
|----------|-------------|-------------------------------|---|
|          | CK500       | Electronic Coin Drop Kit      | Includes item 2   |
| <b>1</b> | 38725       | Coin Identification Paper     |   |
| <b>2</b> | F200021600P | Coin Meter Assembly           | U.S., Canada, Japan and Taiwan; Includes items 3 and 4; Requires CK500 Electronic Coin Drop Kit for installation                              |
|          | F200021601  | Coin Meter Assembly           | Australia, New Zealand, Hong Kong, South Korea and Malaysia; Includes items 3 and 4; Requires CK500 Electronic Coin Drop Kit for installation |
|          | F200021602  | Coin Meter Assembly           | United Kingdom and euro; Includes items 3 and 4; Requires CK500 Electronic Coin Drop Kit for installation                                     |
|          | F200021603  | Coin Meter Assembly           | Denmark, Norway and euro; Includes items 3 and 4; Requires CK500 Electronic Coin Drop Kit for installation                                    |
|          | F200021604  | Coin Meter Assembly           | U.S., Mexico and Ecuador; Includes items 3 and 4; Requires CK500 Electronic Coin Drop Kit for installation                                    |
|          | F200021605  | Coin Meter Assembly           | Euro, Latvia and Lithuania; Includes items 3 and 4; Requires CK500 Electronic Coin Drop Kit for installation                                  |
|          | F8238601    | Coin Meter Assembly           | China, Russia and Malaysia; Includes items 3 and 4; Requires CK500 Electronic Coin Drop Kit for installation                                  |
| <b>3</b> | 685846      | Nut                           |   |
| <b>4</b> | CK115       | Electronic Coin Drop Kit      | U.S. and Canada; Includes item 1; Requires CK500 Electronic Coin Drop Kit for installation  |
|          | CK113       | Electronic Coin Drop Kit      | Japan and Taiwan; Includes item 1; Requires CK500 Electronic Coin Drop Kit for installation   |
|          | 70294105P   | Electronic Coin Drop Assembly | Australia, Hong Kong, South Korea and Malaysia  |
|          | CK099       | Electronic Coin Drop Kit      | Australia, Hong Kong, South Korea and Malaysia; Includes item 1; Requires CK500 Electronic Coin Drop Kit for installation                     |
|          | 70294103P   | Electronic Coin Drop Assembly | United Kingdom and euro   |
|          | CK100       | Electronic Coin Drop Kit      | United Kingdom and euro; Includes item 1; Requires CK500 Electronic Coin Drop Kit for installation  |
|          | 70294104    | Electronic Coin Drop Assembly | Denmark, Norway and euro  |
|          | CK101       | Electronic Coin Drop Kit      | Denmark, Norway and euro; Includes item 1; Requires CK500 Electronic Coin Drop Kit for installation   |
|          | 70294106    | Electronic Coin Drop Assembly | U.S., Mexico and Ecuador  |
|          | CK110       | Electronic Coin Drop Kit      | U.S., Mexico and Ecuador; Includes item 1; Requires CK500 Electronic Coin Drop Kit for installation   |
|          | 70294107    | Electronic Coin Drop Assembly | Euro, Latvia and Lithuania  |
|          | CK103       | Electronic Coin Drop Kit      | Euro, Latvia and Lithuania; Includes item 1; Requires CK500 Electronic Coin Drop Kit for installation   |
|          | 70294109    | Electronic Coin Drop Assembly | China, Russia and Malaysia  |
|          | CK106       | Electronic Coin Drop Kit      | China, Russia and Malaysia; Includes item 1; Requires CK500 Electronic Coin Drop Kit for installation   |
|          | 70294111    | Electronic Coin Drop Assembly | Euro  |
|          | CK109       | Electronic Coin Drop Kit      | Euro; Includes item 1; Requires CK500 Electronic Coin Drop Kit for installation   |
|          | 70294119    | Electronic Coin Drop Assembly | Thailand  |
|          | CK119       | Electronic Coin Drop Kit      | Thailand; Includes item 1; Requires CK500 Electronic Coin Drop Kit for installation   |
|          | 70294120    | Electronic Coin Drop Assembly | Chile   |
|          | CK120       | Electronic Coin Drop Kit      | Chile; Includes item 1; Requires CK500 Electronic Coin Drop Kit for installation  |
|          | 70294121    | Electronic Coin Drop Assembly | Singapore   |
|          | CK121       | Electronic Coin Drop Kit      | Singapore; Includes item 1; Requires CK500 Electronic Coin Drop Kit for installation  |
|          | 70482401    | Coin Drop Assembly            | New Zealand   |
|          | CK122       | Electronic Coin Drop Kit      | New Zealand; Includes item 1; Requires CK500 Electronic Coin Drop Kit for installation  |
| <b>5</b> | F8034701P   | Pulse Expander Assembly       |   |
| <b>6</b> | 70295301    | Overlay                       | Gray  |

# Card Reader - KY Models

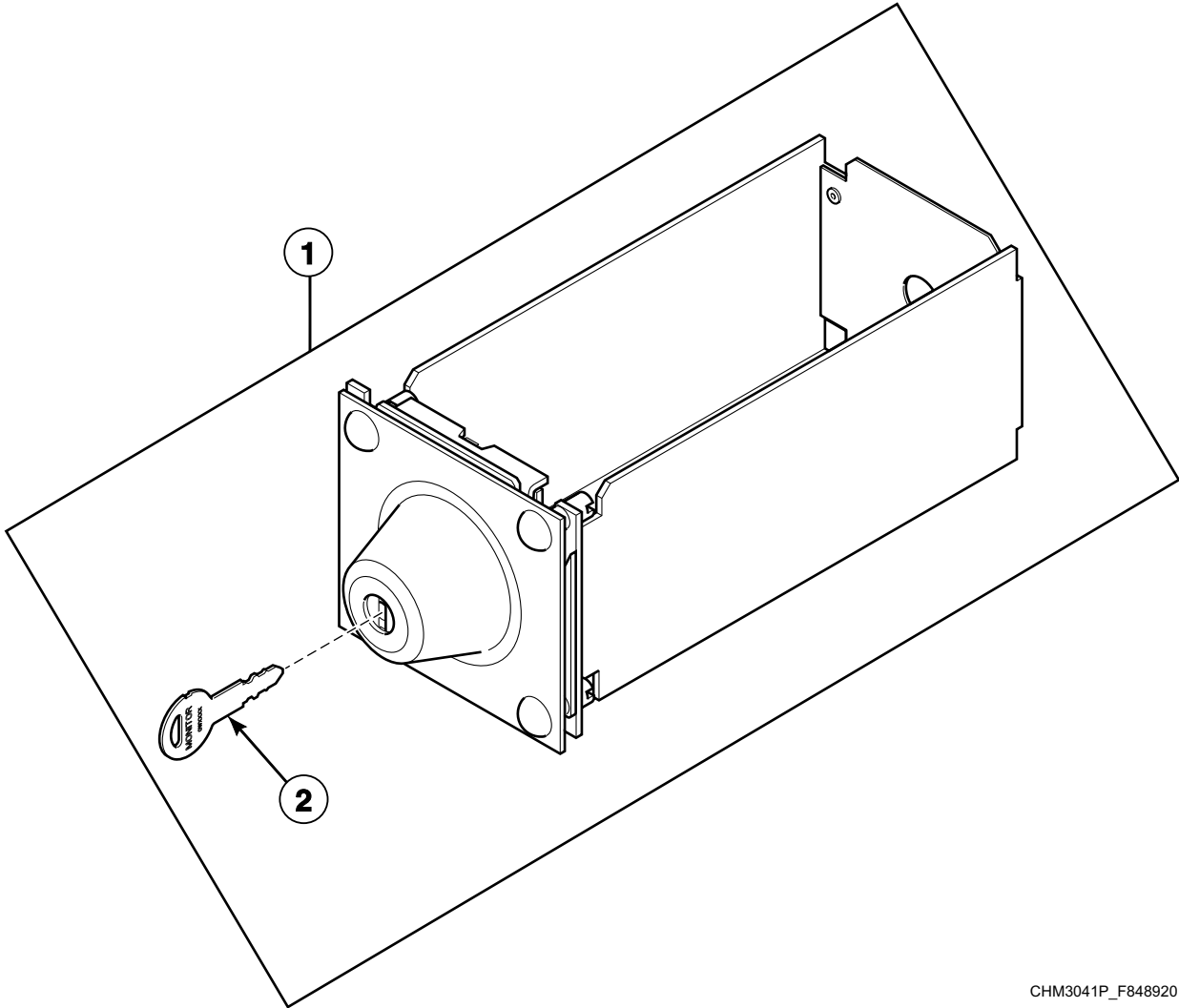


CHM3093P\_F8489201

## Card Reader - KY Models

| REF | PART NO.  | DESCRIPTION                      | COMMENTS |
|-----|-----------|----------------------------------|----------|
| 1   | F631973-2 | Harness                          | Access   |
| 2   | F430174   | Screw                            |          |
| 3   | F141887   | Card Reader Harness              |          |
| 4   | 510068P   | Card Reader and Bracket Assembly |          |
| 5   | F8201501  | Card Plate Assembly              |          |
| 6   | 70208801  | Mounting Plate                   |          |
| 7   | 70334301  | Card Reader Overlay              |          |

# Optional Coin Box

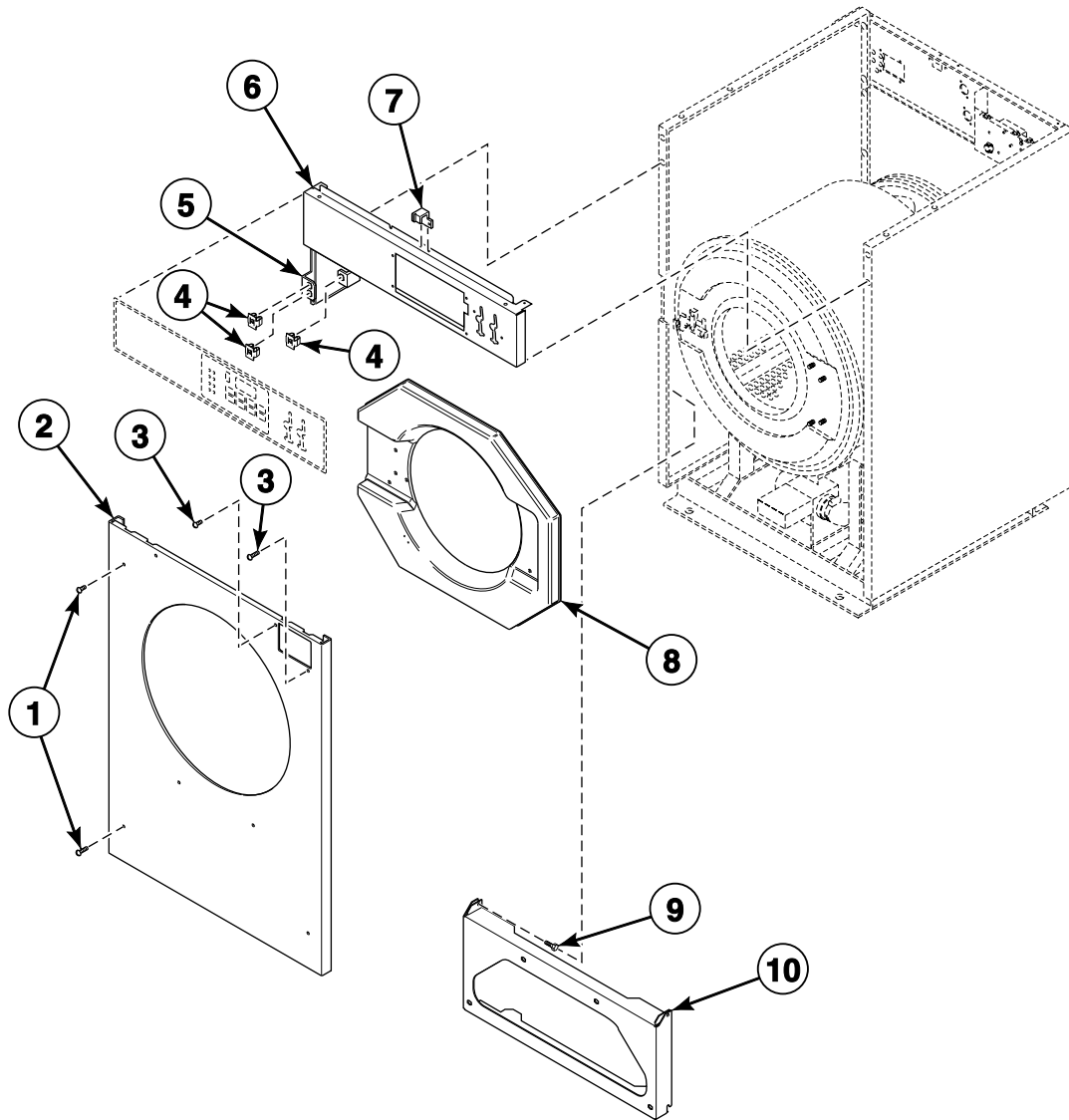


CHM3041P\_F8489201

## Optional Coin Box

| REF | PART NO. | DESCRIPTION          | COMMENTS  |
|-----|----------|----------------------|---|
| 1   | F160672  | Coin Box             | UG21; Design 1 and 2; 20 and 30 pound models            |
|     | F8182001 | Coin Drawer Assembly | 20 and 30 pound models Design 3; 40 and 60 pound models |
| 2   | F160420  | Key                  | GW0023  |

# Front Panels and Control Panel - Coin Models



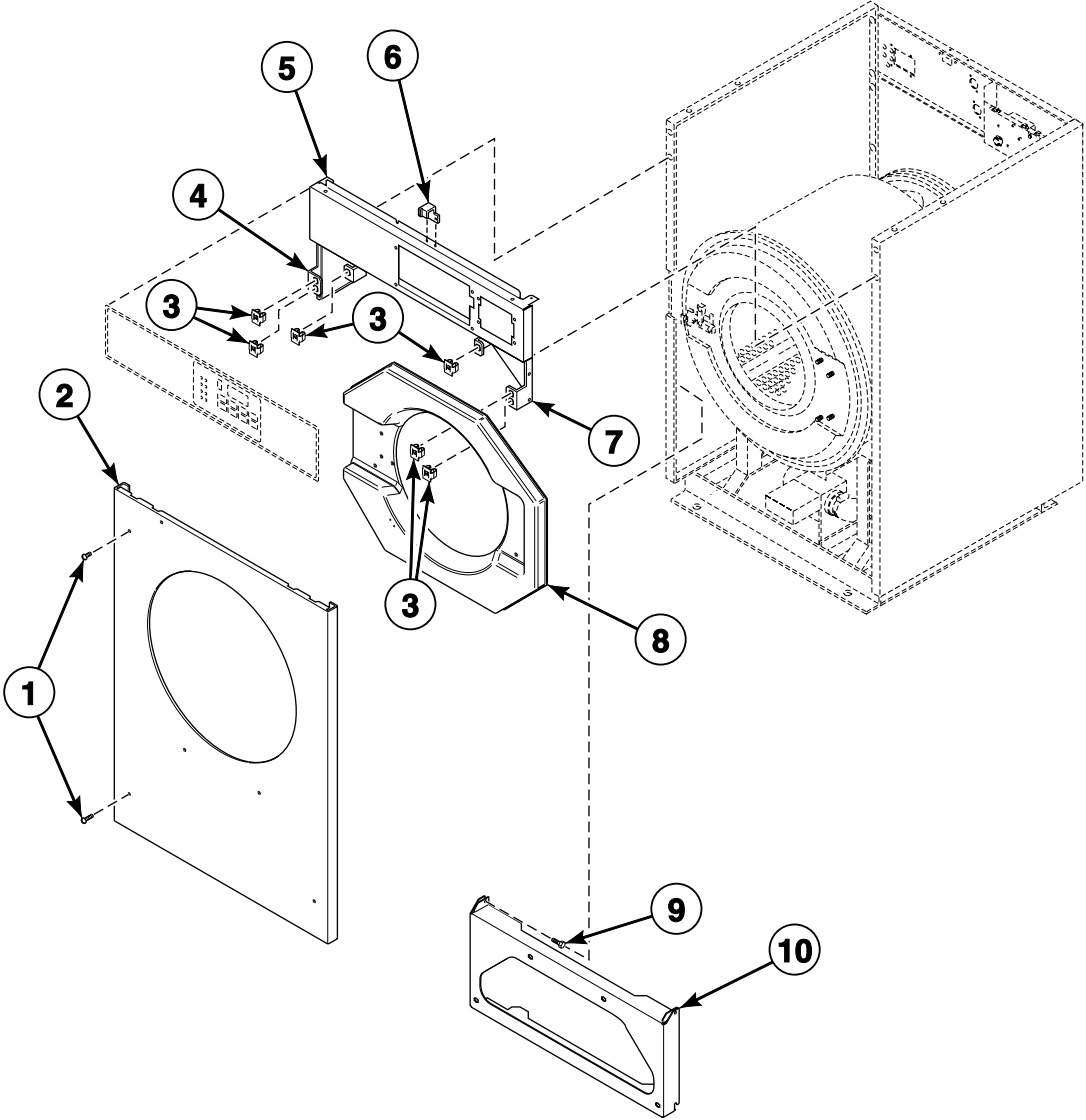
CHM3196P\_F8489201



## Front Panels and Control Panel - Coin Models

| REF | PART NO.    | DESCRIPTION            | COMMENTS  |
|-----|-------------|------------------------|---|
| 1   | F8117601    | Screw                  |   |
| 2   | F8171301    | Front Panel            | 20 pound models; Design 1 and 2; Stainless steel            |
|     | F8492301    | Front Panel            | 20 pound models; Design 3; Stainless steel                  |
|     | F8173001    | Front Panel            | 30 pound models; Design 1 and 2; Stainless steel            |
|     | F8173003    | Front Panel            | 30 pound models; Design 3; Stainless steel                  |
|     | F8173101P   | Front Panel            | 40 pound models; Stainless steel                            |
|     | F8173201P   | Front Panel            | 60 pound models; Stainless steel                            |
| 3   | 801019      | Screw                  |   |
| 4   | 70030501    | Expansion Clip         |   |
| 5   | F8186702    | Gusset Plate           | Left  |
| 6   | F8038502    | Control Panel Assembly | 20 pound models   |
|     | F8038602    | Control Panel Assembly | 30 pound models   |
|     | F8038702    | Control Panel Assembly | 40 pound models   |
|     | F8038802    | Control Panel Assembly | 60 pound models   |
| 7   | F8201001    | Top Cover Latch        |   |
| 8   | F170416-1   | Door Bezel             | Black   |
|     | F170416-2   | Door Bezel             | 20 pound models; Pantone 403; Models through 1/10/10        |
|     | F170416-3   | Door Bezel             | 20 pound models; Gray; Models starting 1/11/10              |
|     | F170417-1   | Door Bezel             | Black   |
|     | F170417-3   | Door Bezel             | 30 pound models; Gray                                       |
|     | F0170426-00 | Door Bezel             | Black   |
|     | F0170426-10 | Door Bezel             | 40 and 60 pound models; Pantone 403; Models through 1/10/10 |
|     | F0170426-30 | Door Bezel             | 40 and 60 pound models; Gray; Models starting 1/11/10       |
| 9   | F430174     | Screw                  |   |
| 10  | F8173801    | Front Cabinet Brace    | 20 pound models   |
|     | F8173901    | Front Cabinet Brace    | 30 pound models   |
|     | F8174001    | Front Cabinet Brace    | 40 pound models   |
|     | F8174101    | Lower Cabinet Brace    | 60 pound models   |

# Front Panel and Control Panel - Card Reader and OPL Models

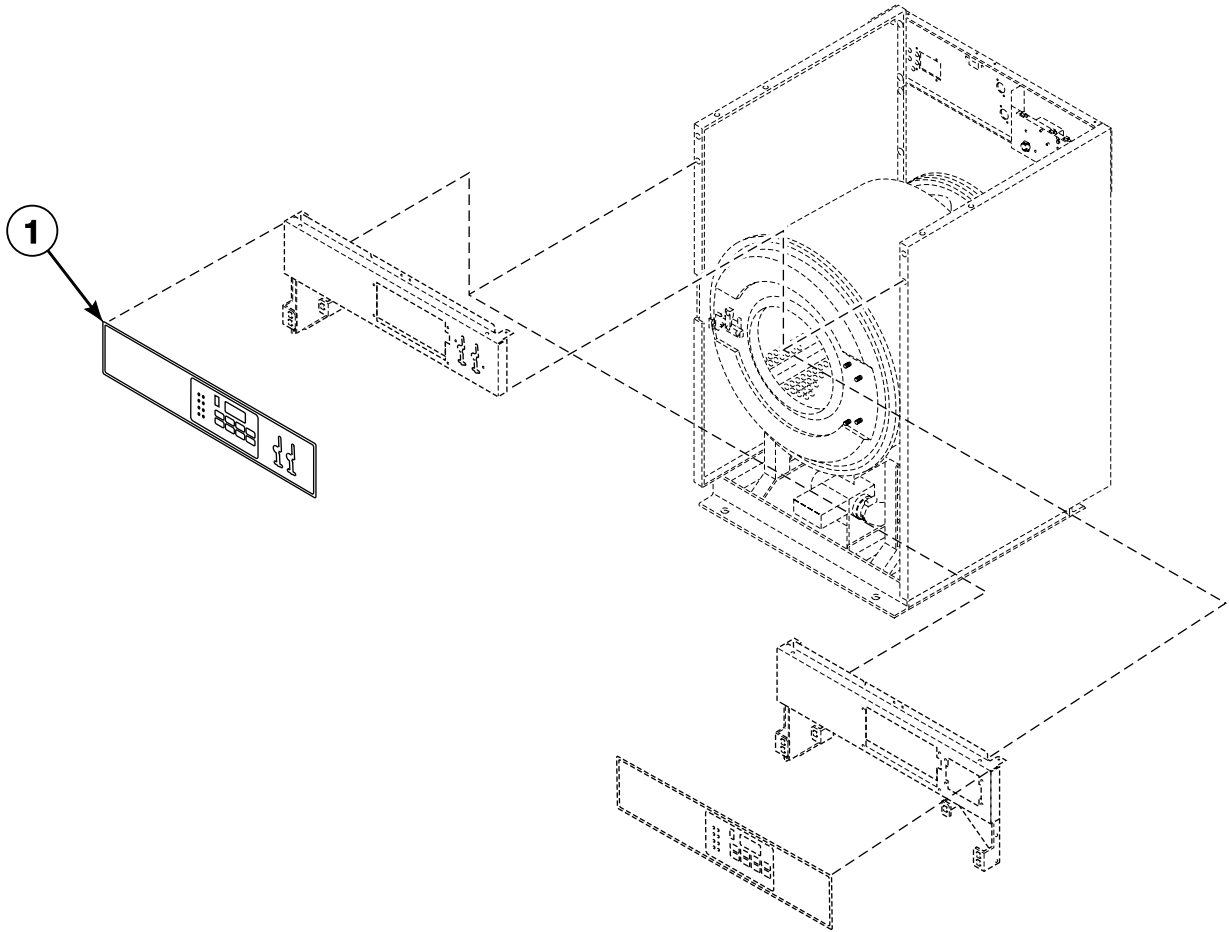


CHM3197P\_F8489201

## Front Panel and Control Panel - Card Reader and OPL Models

| REF | PART NO.    | DESCRIPTION            | COMMENTS  |
|-----|-------------|------------------------|---|
| 1   | F8117601    | Screw                  |   |
| 2   | F8171302P   | Front Panel            | 20 pound models; Design 1 and 2; Stainless steel                        |
|     | F8492302    | Front Panel            | 20 pound models; Design 3; Stainless steel                              |
|     | F8173002P   | Front Panel            | 30 pound models; Design 1 and 2; Stainless steel                        |
|     | F8173003    | Front Panel            | 30 pound models; Design 3; Stainless steel                              |
|     | F8173102P   | Front Panel            | 40 pound models; Stainless steel  |
|     | F8173202P   | Front Panel            | 60 pound models; Stainless steel  |
| 3   | 70030501    | Expansion Clip         |   |
| 4   | F8186702    | Gusset Plate           | Left  |
| 5   | F8038504    | Control Panel Assembly | 20 pound models   |
|     | F8038604    | Control Panel Assembly | 30 pound models   |
|     | F8038704    | Control Panel Assembly | 40 pound models   |
|     | F8038804    | Control Panel Assembly | 60 pound models   |
| 6   | F8201001    | Top Cover Latch        |   |
| 7   | F8186701    | Gusset Plate           | Right   |
| 8   | F170416-1   | Door Bezel             | SCL, SCN, SCU, SCZ, UCL, UCN and UCU 20 pound models; Black             |
|     | F170416-2   | Door Bezel             | HCN and HCU 20 pound models; Pantone 403; Models through 1/10/10        |
|     | F170416-3   | Door Bezel             | HCN and HCU 20 pound models; Gray; Models starting 1/11/10              |
|     | F170417-1   | Door Bezel             | SCL, SCN, SCU, UCL, UCN and UCU 30 pound models; Black                  |
|     | F170417-3   | Door Bezel             | HCN and HCU 30 pound models; Gray                                       |
|     | F0170426-00 | Door Bezel             | SCL, SCN, SCU, UCL, UCN and UCU 40 and 60 pound models; Black           |
|     | F0170426-10 | Door Bezel             | HCN and HCU 40 and 60 pound models; Pantone 403; Models through 1/10/10 |
|     | F0170426-30 | Door Bezel             | HCN and HCU 40 and 60 pound models; Gray; Models starting 1/11/10       |
| 9   | F430174     | Screw                  |   |
| 10  | F8173801    | Front Cabinet Brace    | 20 pound models   |
|     | F8173901    | Front Cabinet Brace    | 30 pound models   |
|     | F8174001    | Front Cabinet Brace    | 40 pound models   |
|     | F8174101    | Lower Cabinet Brace    | 60 pound models   |

# Control Panel Overlays - Coin and Card Models

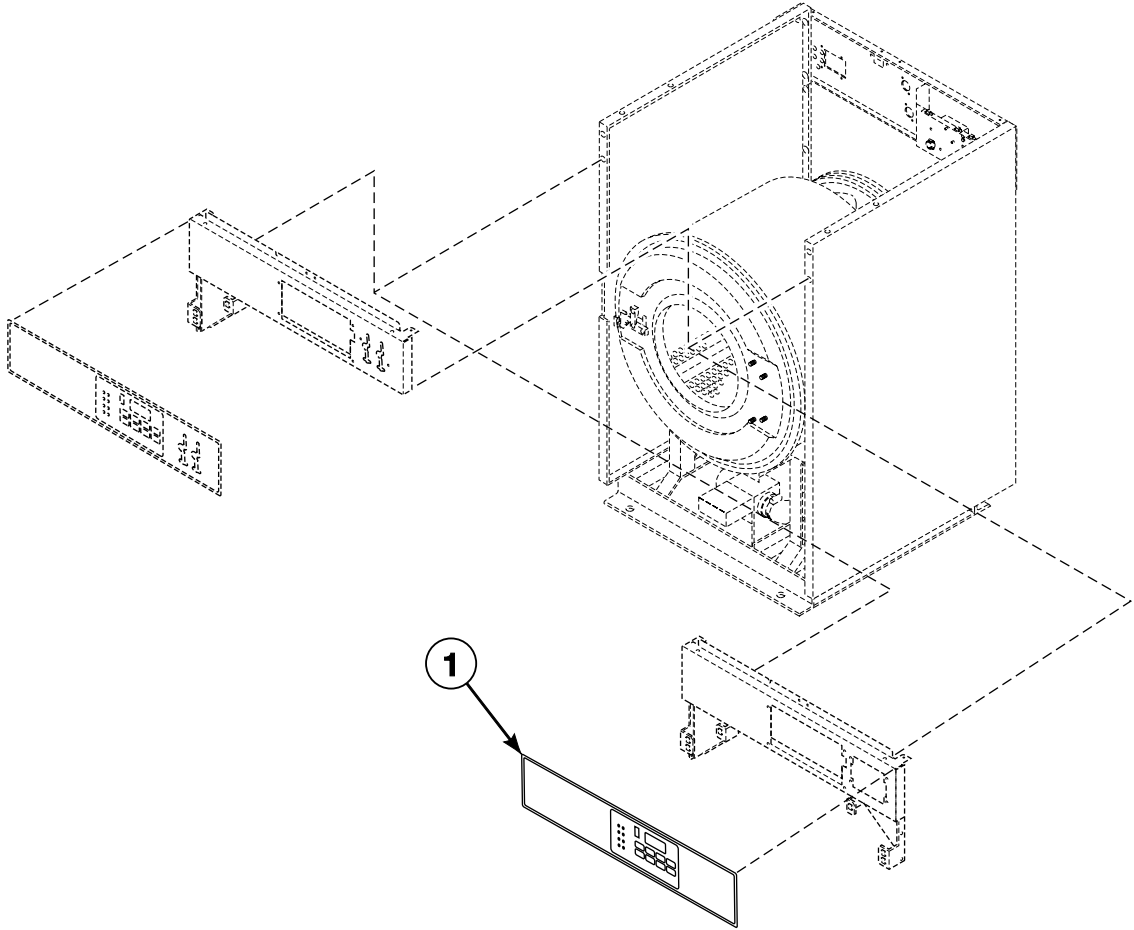


CHM3124P\_F8489201

## Control Panel Overlays - Coin and Card Models

| REF | PART NO. | DESCRIPTION           | COMMENTS  |
|-----|----------|-----------------------|---|
| 1   | F8295501 | Control Panel Overlay | Design 1; HCL, HCN and HCU 20 pound KC, KD, KE and KL models; Single coin drop  |
|     | F8295502 | Control Panel Overlay | Design 1; Models HCL020KD2, HCL020KDF, HCL020KDV, HCN020KD2, HCN020KEF and HCN020KEV; Dual coin drop                                  |
|     | F8295503 | Overlay               | Design 1; HCN and HCU 20 pound KY models; Card ready  |
|     | F8295601 | Control Panel Overlay | Design 1; HCN and HCU 30 pound KC, KD and KE models; Single coin drop   |
|     | F8295602 | Control Panel Overlay | Design 1; Models HCL030KD2, HCL030KDF, HCL030KDV, HCN030KD2, HCN030KDV, HCN030KEF, HCN030KEV and HCU030KE2; Dual coin drop            |
|     | F8295603 | Overlay               | Design 1; HCN and HCU 30 pound KY models; Card ready  |
|     | F8295701 | Control Panel Overlay | Design 1; HCN and HCU 40 pound KC, KD and KE models; Single coin drop   |
|     | F8295702 | Control Panel Overlay | Design 1; Models HCL040KD2, HCL040KDF, HCL040KDV, HCN040KD2, HCN040KDF, HCN040KDV, HCN040KEF, HCN040KEV and HCU040KE2; Dual coin drop |
|     | F8295703 | Overlay               | Design 1; HCN and HCU 40 pound KY models; Card ready  |
|     | F8295801 | Control Panel Overlay | Design 1; HCN and HCU 60 pound KC, KD and KE models; Single coin drop   |
|     | F8295802 | Control Panel Overlay | Design 1; Models HCL060KD2, HCL060KDF, HCL060KDV, HCN060KD2, HCN060KDF, HCN060KDV, HCN060KEF, HCN060KEV and HCU060KEV; Dual coin drop |
|     | F8295803 | Overlay               | Design 1; HCN and HCU 60 pound KY models; Card ready  |
|     | F8443801 | Control Panel Overlay | Design 2 and 3; HCL and HCU KC, KE, KX and KL models; Single coin drop  |
|     | F8443802 | Control Panel Overlay | Design 2 and 3; HCL KD models; Dual coin drop   |
|     | F8443803 | Overlay               | Design 2 and 3; HCU KY models; Card ready   |
|     | F8444401 | Control Panel Overlay | Design 2 and 3; Models HCN020KCF, HCN020KCV, HCN020KEF, HCN020KEV and HCN020KXF; Single coin drop                                     |
|     | F8444402 | Control Panel Overlay | Design 2 and 3; Models HCN020KDF and HCN020KDV; Dual coin drop  |
|     | F8444403 | Overlay               | Design 2 and 3; Models HCN020KYF and HCN020KYV; Card ready  |
|     | F8444501 | Control Panel Overlay | Design 2 and 3; Models HCN030KCF, HCN030KCV, HCN030KEF, HCN030KEV and HCN030KXF; Single coin drop                                     |
|     | F8444502 | Control Panel Overlay | Design 2 and 3; Models HCN030KDF and HCN030KDV; Dual coin drop  |
|     | F8444503 | Overlay               | Design 2 and 3; Models HCN030KYF and HCN030KYV; Card ready  |
|     | F8444601 | Control Panel Overlay | Design 2; Models HCN040KCF, HCN040KCV, HCN040KEF, HCN040KEV and HCN040KXF; Single coin drop   |
|     | F8444602 | Control Panel Overlay | Design 2; Models HCN040KDF and HCN040KDV; Dual coin drop  |
|     | F8444603 | Overlay               | Design 2; Models HCN040KYF and HCN040KYV; Card ready  |
|     | F8444701 | Control Panel Overlay | Design 2; Models HCN060KCF, HCN060KCV, HCN060KEF, HCN060KEV and HCN060KXF; Single coin drop   |
|     | F8444702 | Control Panel Overlay | Design 2; Models HCN060KDF and HCN060KDV; Dual coin drop  |
|     | F8444703 | Overlay               | Design 2; Models HCN060KYF and HCN060KYV; Card ready  |

# Control Panel Overlays - OPL Models

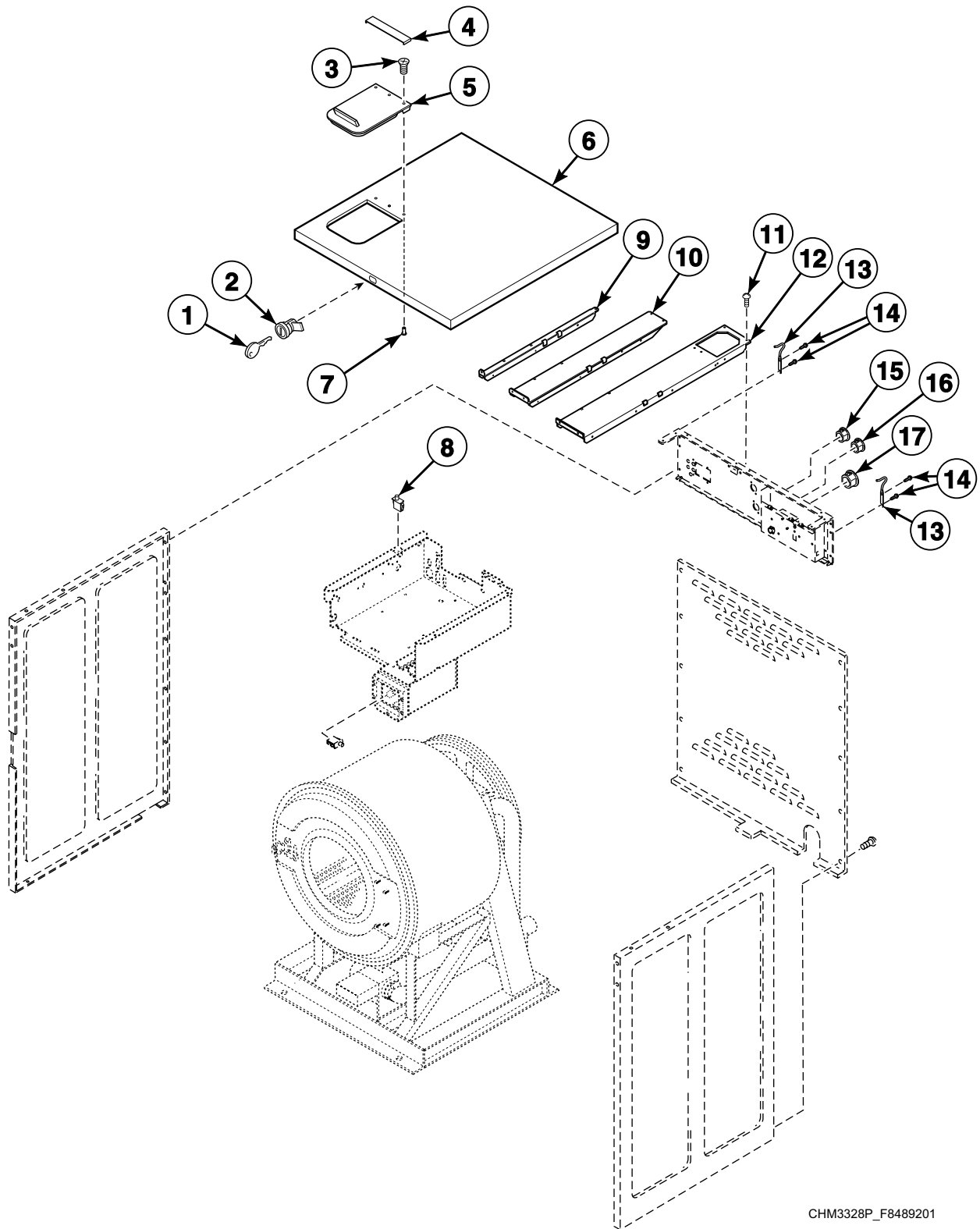


CHM3124PA\_F8489201

## Control Panel Overlays - OPL Models

| REF | PART NO. | DESCRIPTION           | COMMENTS                                 |
|-----|----------|-----------------------|--|
| 1   | F8296001 | Control Panel Overlay | SCL020, SCN020, SCU020 and SCZ020 models |
|     | F8296101 | Control Panel Overlay | SCL030, SCN030 and SCU030 models         |
|     | F8296201 | Control Panel Overlay | SCL040, SCN040 and SCU040 models         |
|     | F8296301 | Control Panel Overlay | SCL060, SCN060 and SCU060 models         |
|     | F8226301 | Control Panel Overlay | UCL020, UCN020 and UCU020 models         |
|     | F8226401 | Control Panel Overlay | UCL030, UCN030 and UCU030 models         |
|     | F8226501 | Control Panel Overlay | UCL040, UCN040 and UCU040 models         |
|     | F8226601 | Control Panel Overlay | UCL060, UCN060 and UCU060 models         |

# Panels (Drawing 1 of 2)



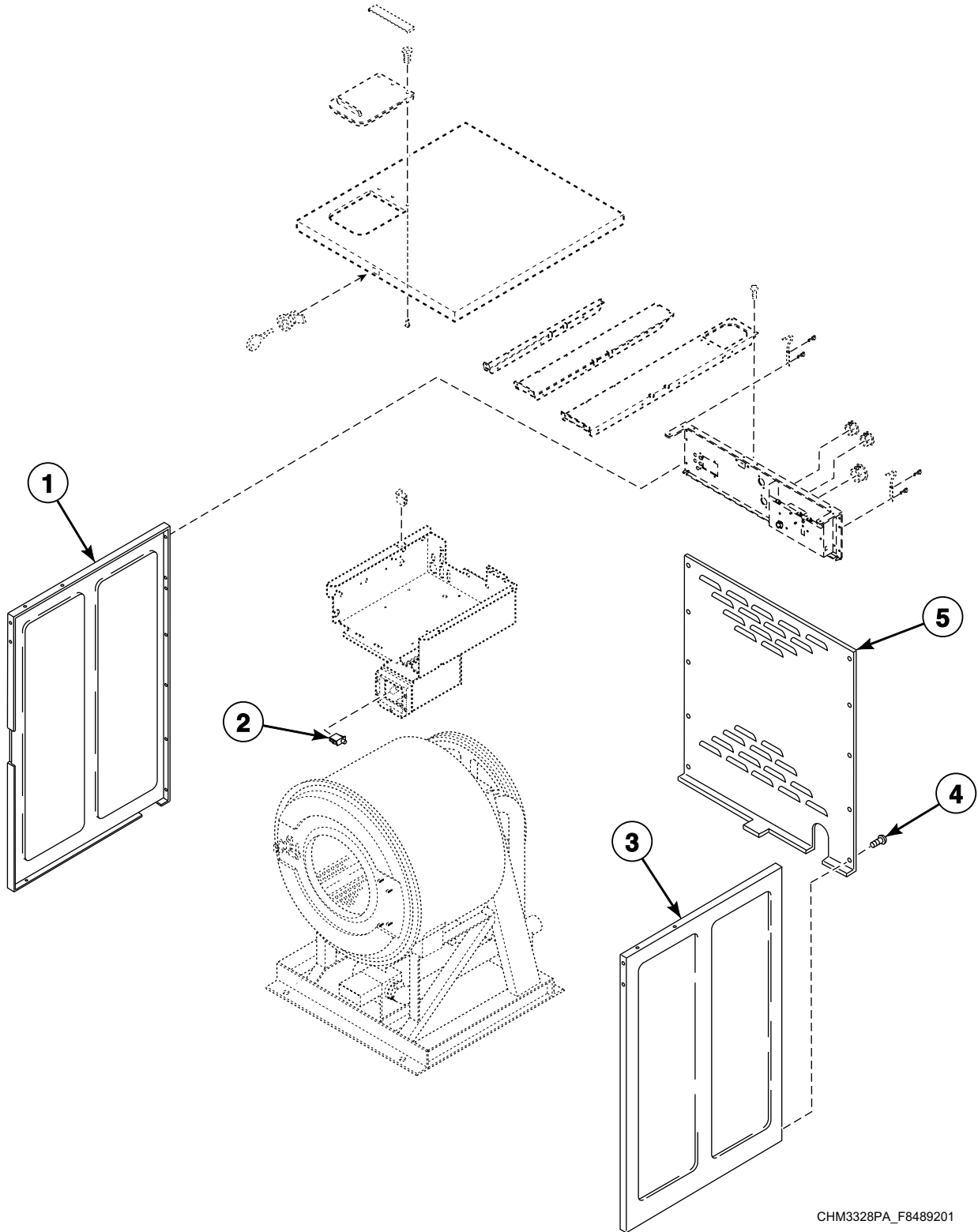
CHM3328P\_F8489201



## Panels (Drawing 1 of 2)

| REF | PART NO.  | DESCRIPTION       | COMMENTS        |
|-----|-----------|-------------------|-----------------|
| 1   | 70155603  | Key               | RL003           |
| 2   | 44089303P | Panel Lock        |                 |
| 3   | F8230601  | Screw             |                 |
| 4   | F8091701  | Lid Clamp         |                 |
| 5   | F8048101  | Dispenser Lid     | Gray            |
| 6   | F8040201  | Top Cover         | 20 pound models |
|     | F8017401  | Top Cover         | 30 pound models |
|     | F8040301  | Top Cover         | 40 pound models |
|     | F8040401P | Top Cover         | 60 pound models |
| 7   | F8230501  | Bolt              |                 |
| 8   | 70413301  | Pushbutton Switch |                 |
| 9   | F8043501  | Top Cabinet Brace | 20 pound models |
| 10  | F8043701  | Top Cabinet Brace | 30 pound models |
| 11  | F430174   | Screw             |                 |
| 12  | F8043801  | Top Cabinet Brace | 40 pound models |
|     | F8043901  | Top Cabinet Brace | 60 pound models |
| 13  | F8258601  | Top Cover Hinge   |                 |
| 14  | F8206901  | Screw             |                 |
| 15  | M400985   | Plug              | Design 2 and 3  |
| 16  | F8223901  | Plug              | Design 2 and 3  |
| 17  | F8223801  | Hole Plug         | Design 2 and 3  |

# Panels (Drawing 2 of 2)

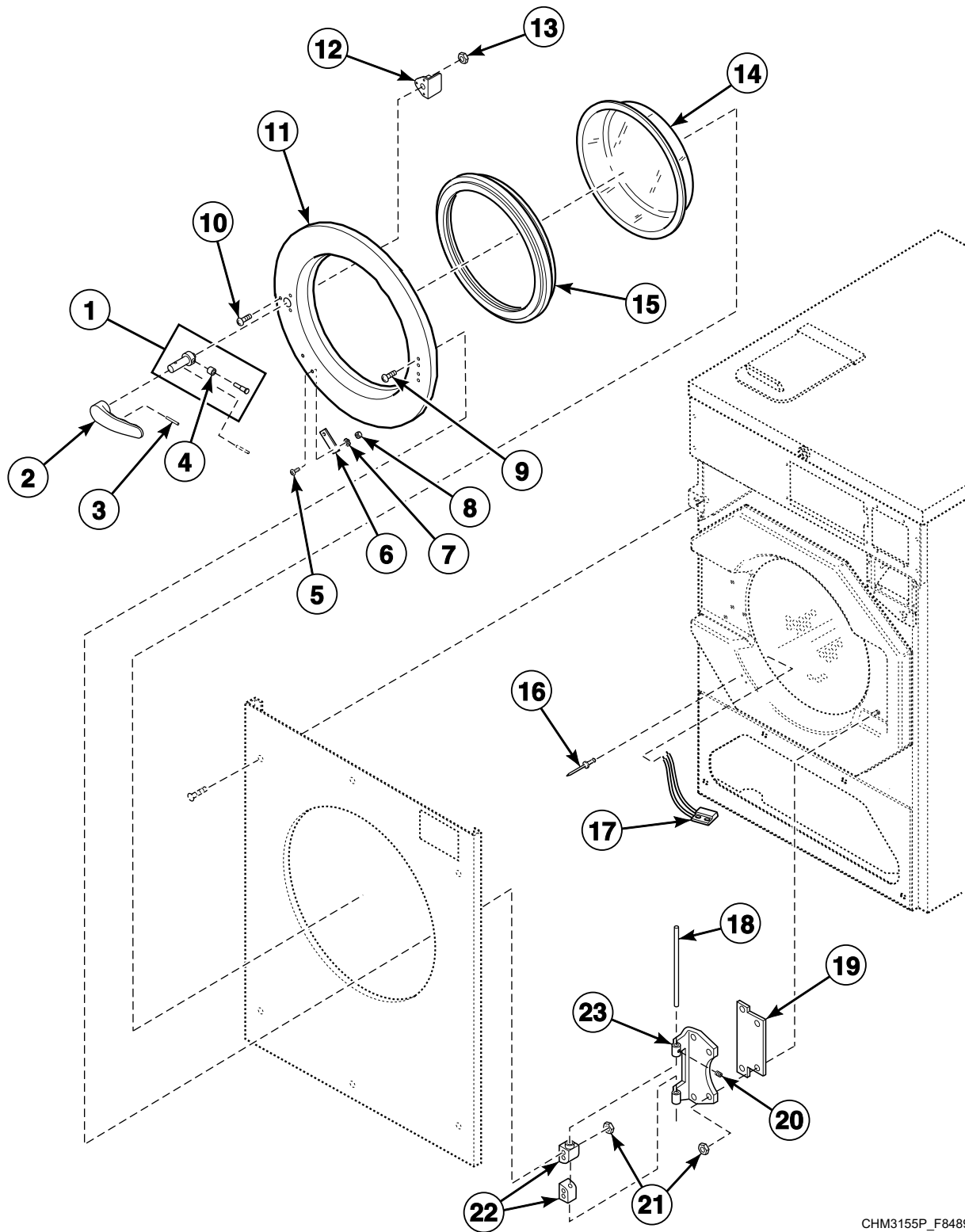


CHM3328PA\_F8489201

## Panels (Drawing 2 of 2)

| REF      | PART NO.  | DESCRIPTION       | COMMENTS   |
|----------|-----------|-------------------|--|
| <b>1</b> | F8042902P | Left Side Panel   | Design 1; 20 pound models; Vinyl                 |
|          | F8043102P | Left Side Panel   | Design 1; 30 pound models; Vinyl                 |
|          | F8043202P | Left Side Panel   | Design 1; 40 pound models; Vinyl                 |
|          | F8043302P | Left Side Panel   | Design 1; 60 pound models; Vinyl                 |
|          | F8399202  | Left Side Panel   | Design 2; 20 pound models; Stainless steel       |
|          | F8492402  | Left Side Panel   | Design 3; 20 pound models; Vinyl                 |
|          | F8492404  | Left Side Panel   | Design 3; 20 pound models; Stainless steel       |
|          | F8399302  | Left Side Panel   | Design 2 and 3; 30 pound models; Stainless steel |
|          | F8399402  | Left Side Panel   | Design 2; 40 pound models; Stainless steel       |
|          | F8399502P | Left Side Panel   | Design 2; 60 pound models; Vinyl                 |
|          | F8399504  | Left Side Panel   | Design 2; 60 pound models; Stainless steel       |
| <b>2</b> | 70413301  | Pushbutton Switch | Coin models                                      |
| <b>3</b> | F8042901P | Right Side Panel  | Design 1; 20 pound models; Vinyl                 |
|          | F8043101P | Right Side Panel  | Design 1; 30 pound models; Vinyl                 |
|          | F8043201P | Right Side Panel  | Design 1; 40 pound models; Vinyl                 |
|          | F8043301P | Right Side Panel  | Design 1; 60 pound models; Vinyl                 |
|          | F8399201  | Right Side Panel  | Design 2; 20 pound models; Stainless steel       |
|          | F8492401  | Right Side Panel  | Design 3; 20 pound models; Vinyl                 |
|          | F8492403  | Right Side Panel  | Design 3; 20 pound models; Stainless steel       |
|          | F8399301  | Right Side Panel  | Design 2 and 3; 30 pound models; Stainless steel |
|          | F8399401  | Right Side Panel  | Design 2; 40 pound models; Stainless steel       |
|          | F8399501  | Right Side Panel  | Design 2; 60 pound models; Vinyl                 |
|          | F8399503  | Right Side Panel  | Design 2; 60 pound models; Stainless steel       |
| <b>4</b> | F8206901  | Screw             |  |
| <b>5</b> | F8176201P | Rear Panel        | Design 1; 20 pound models                        |
|          | F8176301  | Rear Panel        | Design 1; 30 pound models                        |
|          | F8177701P | Rear Panel        | Design 1; 40 pound models                        |
|          | F8177501P | Rear Panel        | Design 1; 60 pound models                        |
|          | F8362401  | Rear Panel        | Design 2; 20 pound models                        |
|          | F8492501  | Rear Panel        | Design 3; 20 pound models                        |
|          | F8352801  | Rear Panel        | Design 2 and 3; 30 pound models                  |
|          | F8365201  | Rear Panel        | Design 2; 40 pound models                        |
|          | F8367101  | Rear Panel        | Design 2; 60 pound models                        |

# Door

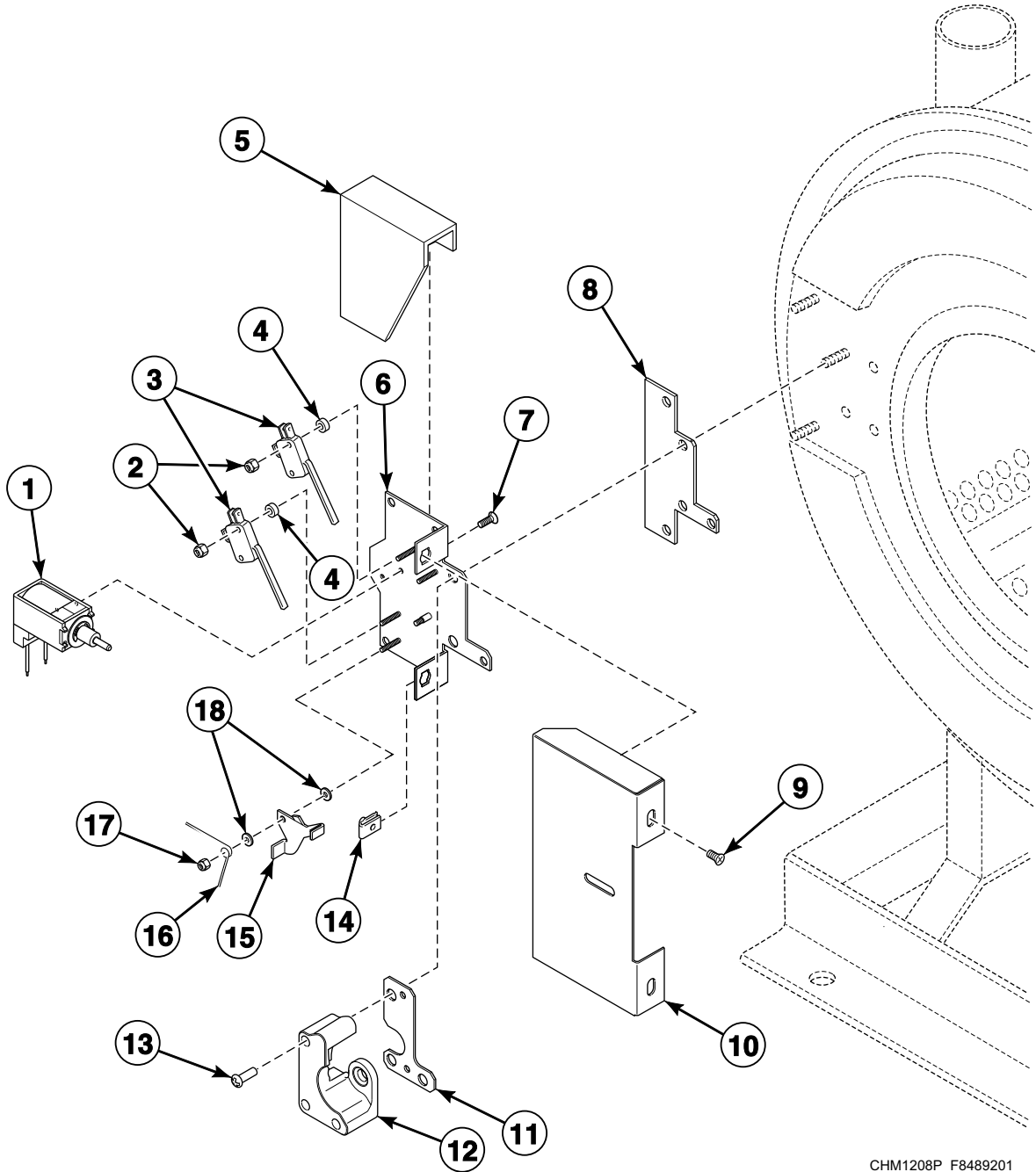


CHM3155P\_F8489201

# Door

| REF       | PART NO.    | DESCRIPTION             | COMMENTS  |
|-----------|-------------|-------------------------|---|
|           | F8187202    | Door Assembly           | 20 pound SC and UC models; Includes items 1-15 and 18-23                    |
|           | F8187203    | Door Assembly           | 20 pound HC models; Includes items 1-15 and 18-23                           |
|           | F8187302    | Door Assembly           | 30 pound SC and UC models; Includes items 1-15 and 18-23                    |
|           | F8187303    | Door Assembly           | 30 pound HC models; Includes items 1-15 and 18-23                           |
|           | F8187402    | Door Assembly           | 40 and 60 pound SC and UC models; Includes items 1-15 and 18-23             |
|           | F8187403    | Door Assembly           | 40 and 60 pound HC models; Includes items 1-15 and 18-23                    |
| <b>1</b>  | F8221401    | Door Latch Arm Assembly |   |
| <b>2</b>  | F8199401P   | Door Handle             | SC and UC models; Black   |
|           | F8199501    | Door Handle             | HC models; Gray   |
| <b>3</b>  | F431222     | Spring Pin              |   |
| <b>4</b>  | F8221701    | Bearing Sleeve          |   |
| <b>5</b>  | F430916     | Screw                   |   |
| <b>6</b>  | F8390801    | Magnet                  |   |
| <b>7</b>  | F431113     | Washer                  |   |
| <b>8</b>  | F431022     | Nut                     |   |
| <b>9</b>  | F430947     | Screw                   |   |
|           | F8508101    | Bolt                    | Chrome  |
| <b>10</b> | F430976     | Screw                   |   |
|           | F8508101    | Bolt                    | Chrome  |
| <b>11</b> | F0602431-02 | Door                    | 20 pound models   |
|           | F0602837-02 | Door                    | 30 pound models   |
|           | F602842-2   | Door                    | 40 and 60 pound models  |
|           | F8507501    | Door                    | 20 pound models; Chrome   |
|           | F8507601    | Door                    | 30 pound models; Chrome   |
|           | F8507701    | Door                    | 40 and 60 pound models; Chrome  |
| <b>12</b> | F8223701    | Door Handle Spacer      |   |
| <b>13</b> | F430232     | Nut                     |   |
| <b>14</b> | F290205P    | Door Glass Kit          | 20 pound SC and UC models; 20 pound HC models through 1/10/10               |
|           | F8341701    | Door Glass              | 20 pound HC models; Models starting 1/11/10                                 |
|           | F290207P    | Door Glass Kit          | 30 pound SC and UC models; 30 pound HC models through 1/10/10               |
|           | F8341801P   | Door Glass              | 30 pound HC models; Models starting 1/11/10                                 |
|           | F290208P    | Door Glass              | 40 and 60 pound SC and UC models; 40 and 60 pound HC models through 1/10/10 |
|           | F8341901    | Door Glass              | 40 and 60 pound HC models; Models starting 1/11/10                          |
| <b>15</b> | F20000202   | Door Gasket             | 20 pound models   |
|           | F8111602    | Door Gasket             | 30 pound models   |
|           | F8111502    | Door Gasket             | 40 and 60 pound models  |
| <b>16</b> | F8245101    | Blind Rivet             |   |
| <b>17</b> | F8066802    | Reed Switch Assembly    |   |
| <b>18</b> | F602813-2   | Rod                     | 20 and 30 pound models  |
|           | F602813-3   | Rod                     | 40 pound models   |
| <b>19</b> | F200131000  | Door Hinge Shim         |   |
| <b>20</b> | F430536     | Screw                   |   |
| <b>21</b> | F430215     | Nut                     |   |
| <b>22</b> | F150271     | Door Mount              |   |
| <b>23</b> | F190216P    | Door Hinge              |   |

# Door Lock



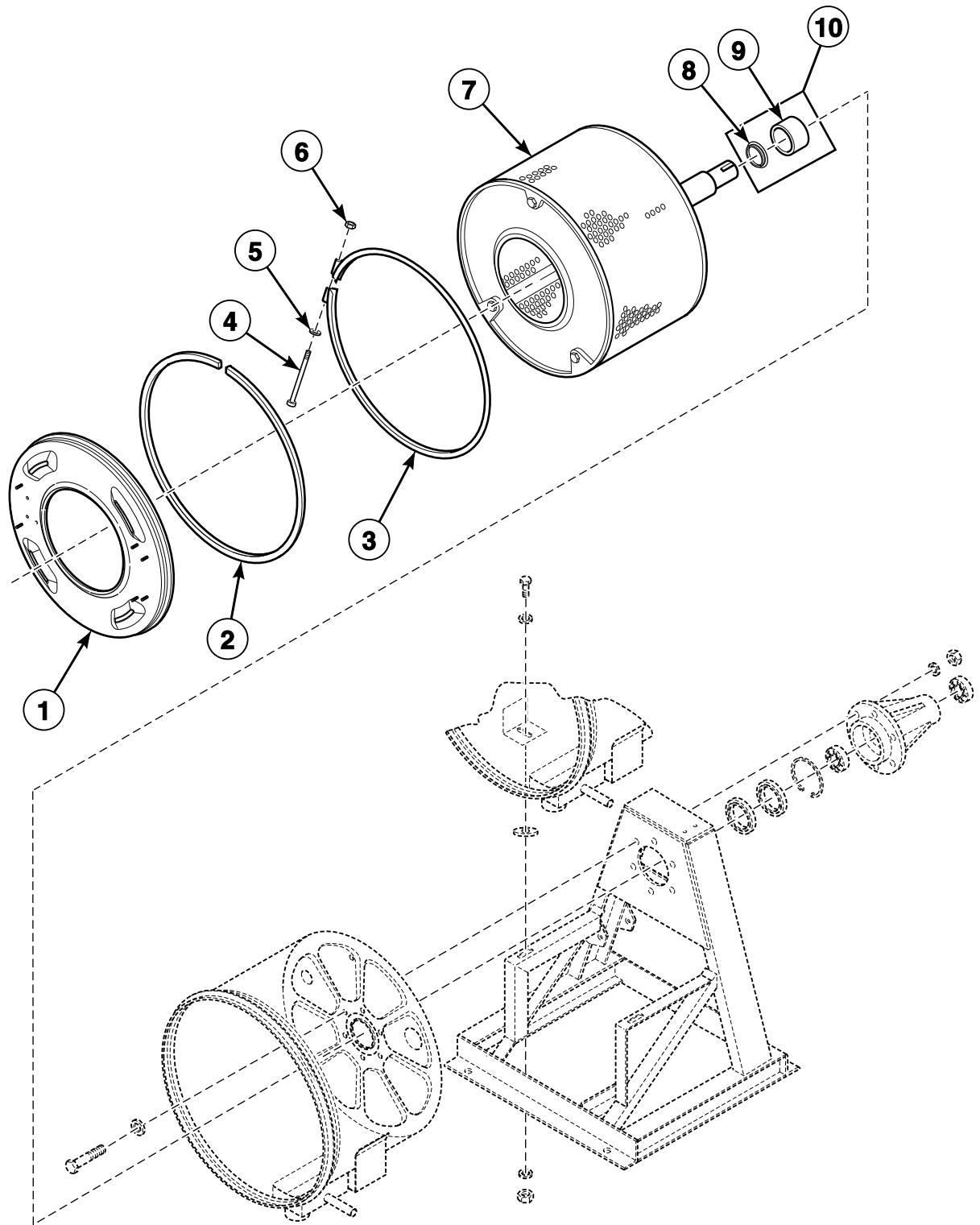
CHM1208P\_F8489201

# Door Lock

| REF       | PART NO.   | DESCRIPTION                        | COMMENTS   |
|-----------|------------|------------------------------------|--|
|           | F8197101   | Door Lock Assembly                 | Includes F8339902 External Door Lock Harness; Models through 10/31/10                                |
|           | F8340501   | Door Lock Assembly                 | Includes F8340001 External Door Lock Harness; Models starting 11/1/10                                |
|           | N/A        | External Door Lock Harness         | Includes F8224201 Solenoid; Models through 10/31/10; Order F977P3 Door Lock Solenoid Replacement Kit |
|           | F8340001   | External Door Lock Harness         | Models starting 11/1/10  |
| <b>1</b>  | F977P3     | Door Lock Solenoid Replacement Kit | Includes F8340101 Solenoid   |
| <b>2</b>  | F430225    | Nut                                |  |
| <b>3</b>  | F200203200 | Door Lock Microswitch              |  |
| <b>4</b>  | F320200    | Door Lock Splash Shield            |  |
| <b>5</b>  | F431901    | Spacer                             |  |
| <b>6</b>  | F8223201   | Door Lock Plate Assembly           | Models through 10/31/10  |
|           | F8223202   | Door Lock Plate Assembly           | Models starting 11/1/10  |
| <b>7</b>  | F430977    | Screw                              |  |
| <b>8</b>  | F8059701   | Door Lock Plate Shim               | Models through 9/25/09   |
|           | F8344401   | Door Lock Plate Shim               | Models starting 9/26/09  |
| <b>9</b>  | F430956    | Screw                              |  |
| <b>10</b> | F8245001   | Door Lock Cover                    |  |
| <b>11</b> | F8453401   | Door Shim                          |  |
| <b>12</b> | F8223601   | Door Lock Catch                    | Models through 10/31/10  |
|           | F8344501   | Door Lock Catch                    | Models starting 11/1/10  |
| <b>13</b> | F8270701   | Bolt                               |  |
| <b>14</b> | F430264    | Nut                                |  |
| <b>15</b> | F8223401   | Door Lock Switch Lever             |  |
| <b>16</b> | F8070301   | Torsion/Door Lock Spring           |  |
| <b>17</b> | F430232    | Nut                                |  |
| <b>18</b> | F431902    | Washer                             |  |

**N/A = Part no longer available**

# Basket, Shell, Frame and Trunnion - Design 1 Models (Drawing 1 of 3)



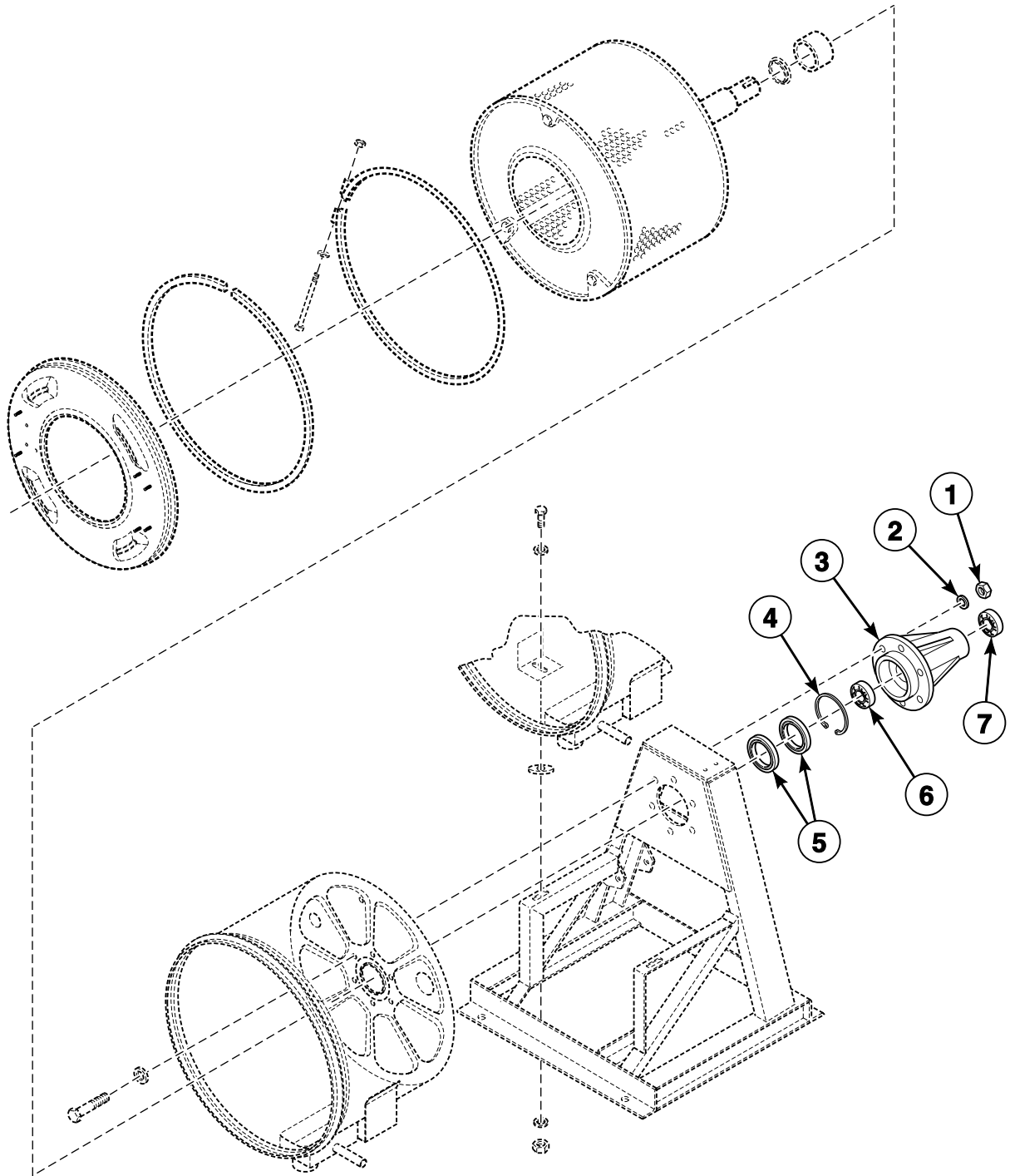
CHM3153P\_F8489201



## Basket, Shell, Frame and Trunnion - Design 1 Models (Drawing 1 of 3)

| REF       | PART NO.  | DESCRIPTION            | COMMENTS   |
|-----------|-----------|------------------------|--|
|           | 389P4     | Basket Tool Kit        | Purchase; Use with F935P3, F936P3, F938P3 and F939P3 Pressfit Upgrade Kits; Requires F460129P Bearing Puller Tool                  |
|           | 390P4-1   | Basket Rental Tool Kit | Use with F935P3, F936P3, F938P3 and F939P3 Pressfit Upgrade Kits; Requires F460129P Bearing Puller Tool                            |
|           | F460129P  | Bearing Puller Tool    |  |
| <b>1</b>  | F8229401  | Shell Front Assembly   | 20 pound models  |
|           | F8229501  | Shell Front Assembly   | 30 pound models  |
|           | F8229601  | Shell Front Assembly   | 40 pound models  |
|           | F8229701  | Shell Front Assembly   | 60 pound models  |
| <b>2</b>  | F8513501  | Shell Front Gasket Kit |  |
| <b>3</b>  | F602757   | Shell Band Assembly    | 20 pound models  |
|           | F8388002  | Clamp Ring Assembly    | 30 pound models  |
|           | F741701   | Shell Band Kit         | 40 pound models  |
|           | F741702   | Shell Band Kit         | 60 pound models  |
| <b>4</b>  | F430518   | Screw                  |  |
| <b>5</b>  | F430317   | Washer                 |  |
| <b>6</b>  | F430215   | Nut                    |  |
| <b>7</b>  | F935P3    | Pressfit Upgrade Kit   | 20 pound models; Models through 3/31/10; Includes items 8, 9, F8347801 Basket Assembly and F747001 Trunnion Kit                    |
|           | F936P3    | Pressfit Upgrade Kit   | 30 pound models; Models through 3/31/10; Includes items 8, 9, F8347901 Basket Assembly and F747002 Trunnion Kit                    |
|           | F938P3    | Pressfit Upgrade Kit   | 40 pound models; Models through 3/31/10; Includes items 8, 9, F8336301 Basket Assembly and F747003 Trunnion Kit                    |
|           | F939P3    | Pressfit Upgrade Kit   | 60 pound models; Models through 3/31/10; Includes items 8, 9, F8336501 Basket Assembly and F747005 Trunnion Kit                    |
|           | F8347801P | Basket Assembly        | 20 pound models; Models that have been upgraded with F935P3 Pressfit Upgrade Kit or models starting 4/1/10; Includes items 8 and 9 |
|           | F8347901P | Basket Assembly        | 30 pound models; Models that have been upgraded with F936P3 Pressfit Upgrade Kit or models starting 4/1/10; Includes items 8 and 9 |
|           | F8391701  | Basket Assembly        | 40 pound models; Models that have been upgraded with F938P3 Pressfit Upgrade Kit or models starting 4/1/10; Includes items 8 and 9 |
|           | F8391901  | Basket Assembly        | 60 pound models; Models that have been upgraded with F939P3 Pressfit Upgrade Kit or models starting 4/1/10; Includes items 8 and 9 |
| <b>8</b>  | F8336801  | Excluder Seal          | 20 pound models; Models that have been upgraded with F935P3 Pressfit Upgrade Kit or models starting 4/1/10                         |
|           | F8336901  | Excluder Seal          | 30 pound models; Models that have been upgraded with F936P3 Pressfit Upgrade Kit or models starting 4/1/10                         |
|           | F8337001  | Excluder Seal          | 40 pound models; Models that have been upgraded with F938P3 Pressfit Upgrade Kit or models starting 4/1/10                         |
|           | F8337101  | Excluder Seal          | 60 pound models; Models that have been upgraded with F939P3 Pressfit Upgrade Kit or models starting 4/1/10                         |
| <b>9</b>  | F8312001P | Shaft Seal Sleeve      | 20 pound models; Models that have not been upgraded with F935P3 Pressfit Upgrade Kit or models through 3/31/10                     |
|           | F8312004P | Shaft Seal Sleeve      | 30 pound models; Models that have not been upgraded with F936P3 Pressfit Upgrade Kit or models through 3/31/10                     |
|           | F8312006P | Shaft Seal Sleeve      | 40 pound models; Models that have not been upgraded with F938P3 Pressfit Upgrade Kit or models through 3/31/10                     |
| <b>10</b> | F8343901P | Shaft Seal Sleeve Kit  | 20 pound models; Models that have been upgraded with F935P3 Pressfit Upgrade Kit or models starting 4/1/10; Includes items 8 and 9 |
|           | F8343904P | Shaft Seal Sleeve Kit  | 30 pound models; Models that have been upgraded with F936P3 Pressfit Upgrade Kit or models starting 4/1/10; Includes items 8 and 9 |
|           | F8343906P | Shaft Seal Sleeve Kit  | 40 pound models; Models that have been upgraded with F938P3 Pressfit Upgrade Kit or models starting 4/1/10; Includes items 8 and 9 |
|           | F8343909P | Shaft Seal Sleeve Kit  | 60 pound models; Includes item 8   |

# Basket, Shell, Frame and Trunnion - Design 1 Models (Drawing 2 of 3)

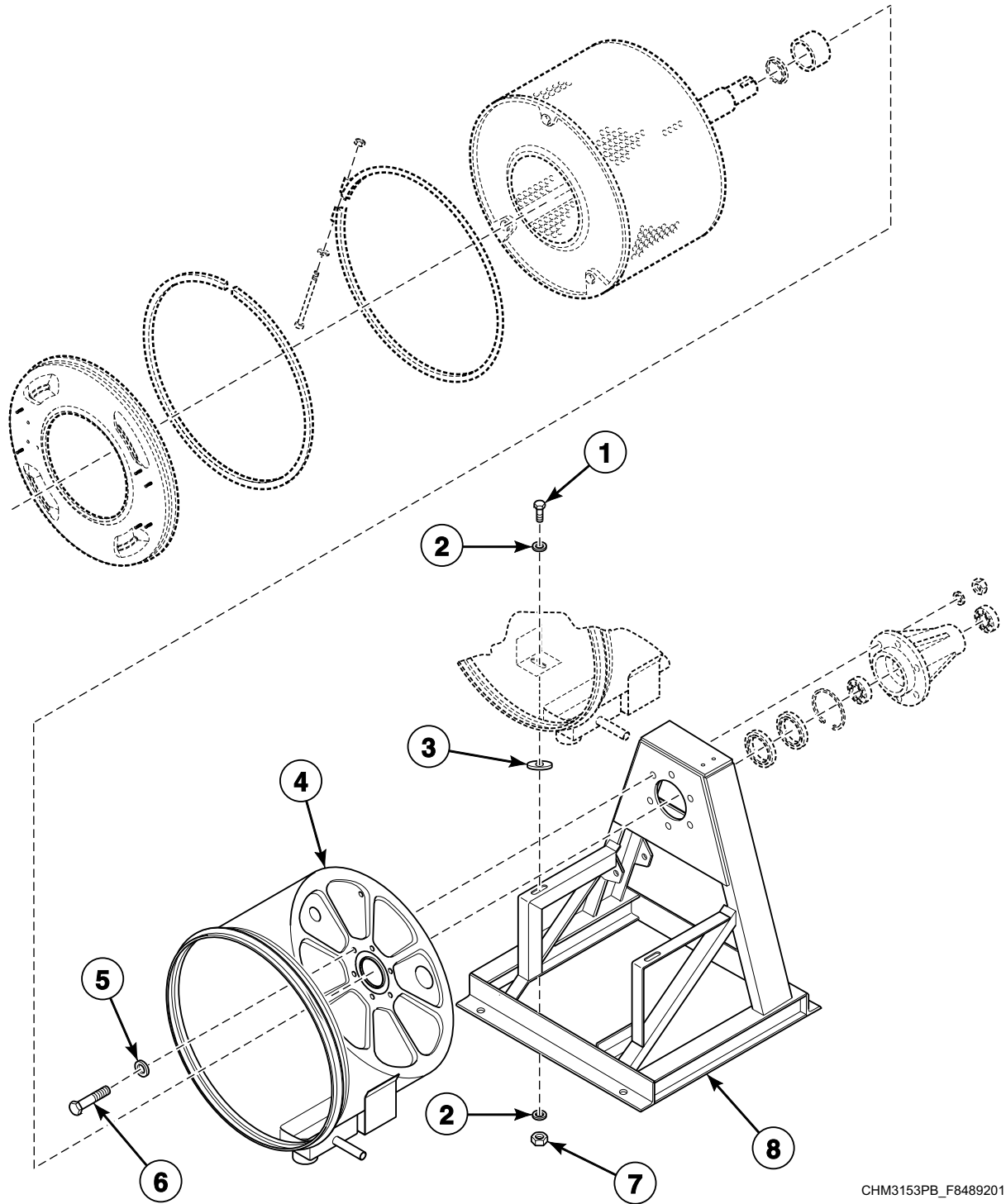


CHM3153PA\_F8489201

## Basket, Shell, Frame and Trunnion - Design 1 Models (Drawing 2 of 3)

| REF | PART NO. | DESCRIPTION     | COMMENTS   |
|-----|----------|-----------------|--|
| 1   | F430239  | Nut             | 20 pound models  |
|     | F430240  | Nut             | All other models   |
| 2   | F431128  | Washer          | 20 pound models  |
|     | F431131  | Washer          | All other models   |
| 3   | F747001  | Trunnion Kit    | 20 pound models; Includes items 5-7  |
|     | F747002  | Trunnion Kit    | 30 pound models; Includes items 5-7  |
|     | F747003  | Trunnion Kit    | 40 pound models; Includes items 5-7  |
|     | F747005  | Trunnion Kit    | 60 pound models; Includes items 5-7  |
| 4   | F8344901 | Retaining Ring  | 20 pound models; Models that have been upgraded with F935P3 Pressfit Upgrade Kit or models starting 4/1/10 |
|     | F8345001 | Retaining Ring  | 30 pound models; Models that have been upgraded with F936P3 Pressfit Upgrade Kit or models starting 4/1/10 |
|     | F8337801 | Retaining Ring  | 40 pound models; Models that have been upgraded with F938P3 Pressfit Upgrade Kit or models starting 4/1/10 |
|     | F8337901 | Retaining Ring  | 60 pound models; Models that have been upgraded with F939P3 Pressfit Upgrade Kit or models starting 4/1/10 |
| 5   | F8203801 | Triple Lip Seal | 20 pound models  |
|     | F8203802 | Triple Lip Seal | 30 pound models  |
|     | F8203803 | Triple Lip Seal | 40 pound models  |
|     | F8203806 | Triple Lip Seal | 60 pound models  |
| 6   | F100137P | Bearing         | 6308 2RS C3; Front; 20 and 40 pound models   |
|     | F100123P | Bearing         | 6309 2RS C3; Front; 30 pound models  |
|     | F100135  | Bearing         | 6313 2RS C3; Front; 60 pound models  |
| 7   | F100136P | Bearing         | 6307 2RS C3; Rear; 20 pound models   |
|     | F100108  | Bearing         | 6208 2RS C3; Rear; 30 pound models   |
|     | F100134  | Bearing         | 6310 2RS C3; Rear; 40 and 60 pound models  |

# Basket, Shell, Frame and Trunnion - Design 1 Models (Drawing 3 of 3)

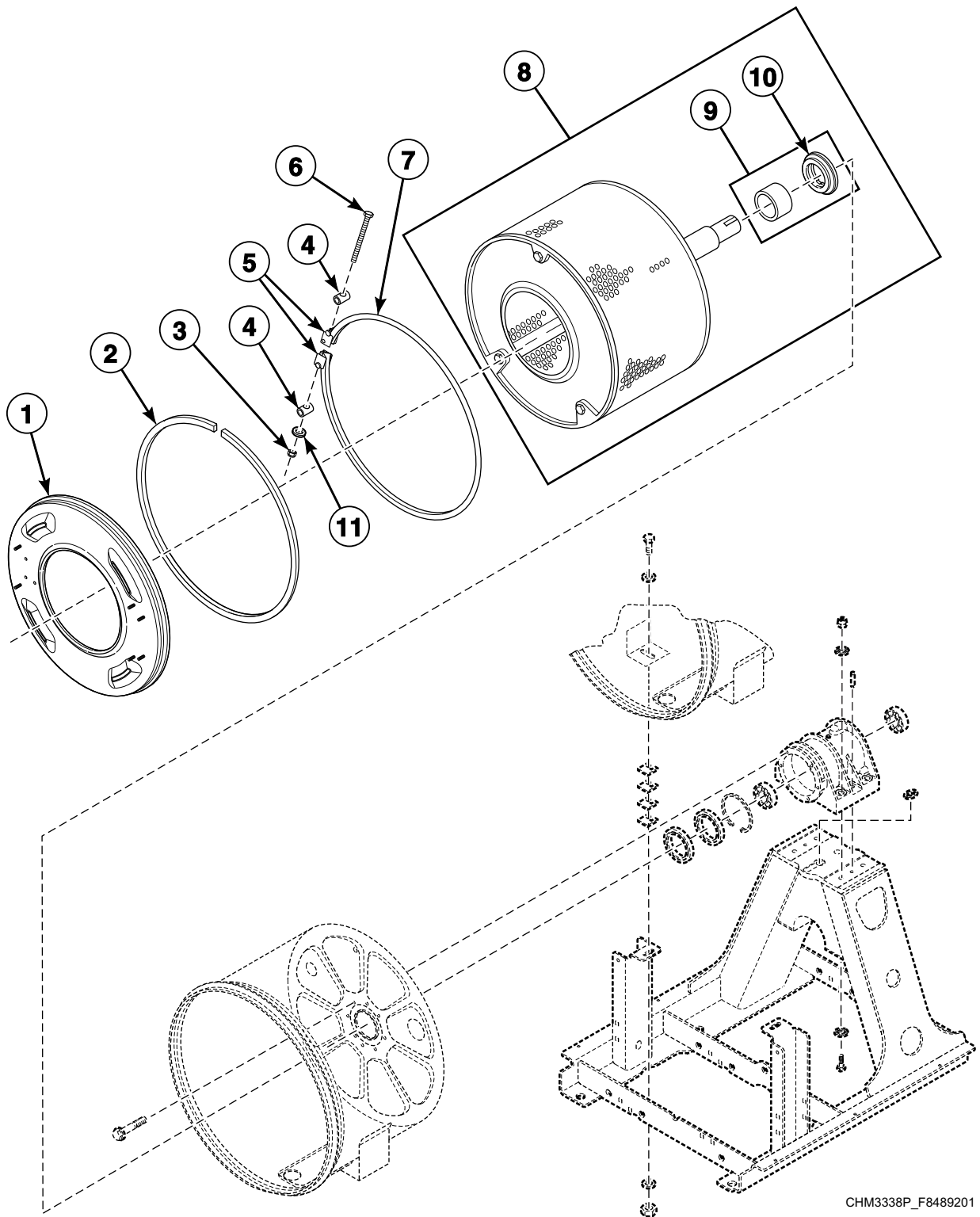


CHM3153PB\_F8489201

## Basket, Shell, Frame and Trunnion - Design 1 Models (Drawing 3 of 3)

| REF     | PART NO. | DESCRIPTION    | COMMENTS                                       |
|---------|----------|----------------|--|
| 1       | F430942  | Screw          |  |
| 2       | M400081  | Washer         |  |
| 3       | F430303  | Washer         |  |
| 4       | F8179201 | Shell Weldment | 20 pound coin models; Standard                 |
|         | F8179202 | Shell Weldment | 20 pound OPL models; Models with electric heat |
|         | F8179203 | Shell Weldment | 20 pound OPL models; Standard                  |
|         | F8179301 | Shell Weldment | 30 pound coin models; Standard                 |
|         | F8179302 | Shell Weldment | 30 pound OPL models; Models with electric heat |
|         | F8179303 | Shell Weldment | 30 pound OPL models; Standard                  |
|         | F8179401 | Shell Weldment | 40 pound coin models; Standard                 |
|         | F8179402 | Shell Weldment | 40 pound OPL models; Models with electric heat |
|         | F8179403 | Shell Weldment | 40 pound OPL models; Standard                  |
|         | F8179501 | Shell Weldment | 60 pound coin models; Standard                 |
|         | F8179502 | Shell Weldment | 60 pound OPL models; Models with electric heat |
|         | F8179503 | Shell Weldment | 60 pound OPL models; Standard                  |
|         | 5        | F431128        | Washer   |
| F431131 |          | Washer         | All other models                               |
| 6       | F430949  | Screw          | 20 pound models                                |
|         | F8442701 | Screw          | All other models                               |
| 7       | F430218  | Nut            |  |
| 8       | F8195901 | Frame Weldment | 20 pound models                                |
|         | F8196001 | Frame Weldment | 30 pound models                                |
|         | F8196101 | Frame Weldment | 40 pound models                                |
|         | F8199101 | Frame Weldment | 60 pound models                                |

# Basket, Shell, Frame and Bearing Housing - Design 2 and 3 Models (Drawing 1 of 3)

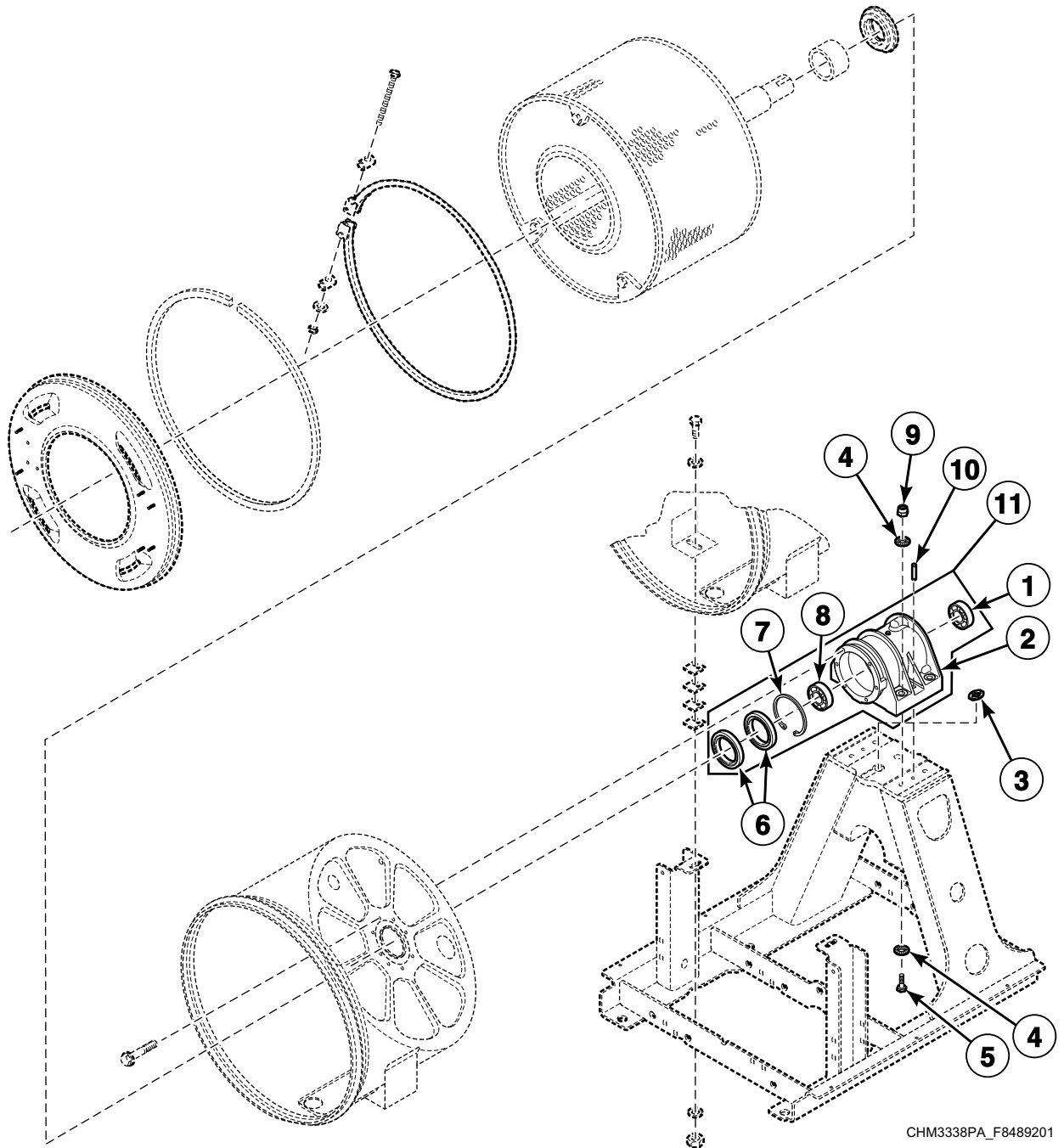


CHM3338P\_F8489201

# Basket, Shell, Frame and Bearing Housing - Design 2 and 3 Models (Drawing 1 of 3)

| REF       | PART NO.  | DESCRIPTION            | COMMENTS  |
|-----------|-----------|------------------------|---|
|           | 389P4     | Basket Tool Kit        | Purchase; Use with F935P3, F936P3, F938P3 and F939P3 Pressfit Upgrade Kits; Requires F460129P Bearing Puller Tool |
|           | 390P4-1   | Basket Rental Tool Kit | Use with F935P3, F936P3, F938P3 and F939P3 Pressfit Upgrade Kits; Requires F460129P Bearing Puller Tool           |
|           | F460129P  | Bearing Puller Tool    |   |
|           | F8388001  | Clamp Ring Assembly    | 20 pound models; Includes items 5 and 7   |
|           | F8388002  | Clamp Ring Assembly    | 30 pound models; Includes items 5 and 7   |
|           | F741701   | Shell Band Kit         | 40 pound models; Includes items 5 and 7   |
|           | F8388004  | Clamp Ring Assembly    | 60 pound models; Includes items 5 and 7   |
| <b>1</b>  | F8229401  | Shell Front Assembly   | 20 pound models   |
|           | F8229501  | Shell Front Assembly   | 30 pound models   |
|           | F8229601  | Shell Front Assembly   | 40 pound models   |
|           | F8229701  | Shell Front Assembly   | 60 pound models   |
| <b>2</b>  | F8513501  | Shell Front Gasket Kit |   |
| <b>3</b>  | F430218   | Nut                    |   |
| <b>4</b>  | F8302701  | Pin                    |   |
| <b>5</b>  | F8302401  | Clamp Ring Bracket     |   |
| <b>6</b>  | 800462    | Screw                  |   |
| <b>7</b>  | F741700   | Shell Band Kit         | 20 pound models   |
|           | F631838   | Outer Shell Band       | 30 pound models   |
|           | F603108   | Outer Shell Band       | 40 pound models   |
|           | F603207   | Outer Shell Band       | 60 pound models   |
| <b>8</b>  | F8391301  | Basket Assembly        | 20 pound models; Includes items 9 and 10  |
|           | F8391501  | Basket Assembly        | 30 pound models; Includes items 9 and 10  |
|           | F8391701  | Basket Assembly        | 40 pound models; Includes items 9 and 10  |
|           | F8391901  | Basket Assembly        | 60 pound models; Includes items 9 and 10  |
| <b>9</b>  | F8343901P | Shaft Seal Sleeve Kit  | 20 pound models; Includes item 10   |
|           | F8343904P | Shaft Seal Sleeve Kit  | 30 pound models; Includes item 10   |
|           | F8343906P | Shaft Seal Sleeve Kit  | 40 pound models; Includes item 10   |
|           | F8343909P | Shaft Seal Sleeve Kit  | 60 pound models; Includes item 10   |
| <b>10</b> | F8336801  | Excluder Seal          | 20 pound models; Models that have been upgraded with F935P3 Pressfit Upgrade Kit or models starting 4/1/10        |
|           | F8336901  | Excluder Seal          | 30 pound models; Models that have been upgraded with F936P3 Pressfit Upgrade Kit or models starting 4/1/10        |
|           | F8337001  | Excluder Seal          | 40 pound models; Models that have been upgraded with F938P3 Pressfit Upgrade Kit or models starting 4/1/10        |
|           | F8337101  | Excluder Seal          | 60 pound models; Models that have been upgraded with F939P3 Pressfit Upgrade Kit or models starting 4/1/10        |
| <b>11</b> | M400081   | Washer                 |   |

# Basket, Shell, Frame and Bearing Housing - Design 2 and 3 Models (Drawing 2 of 3)

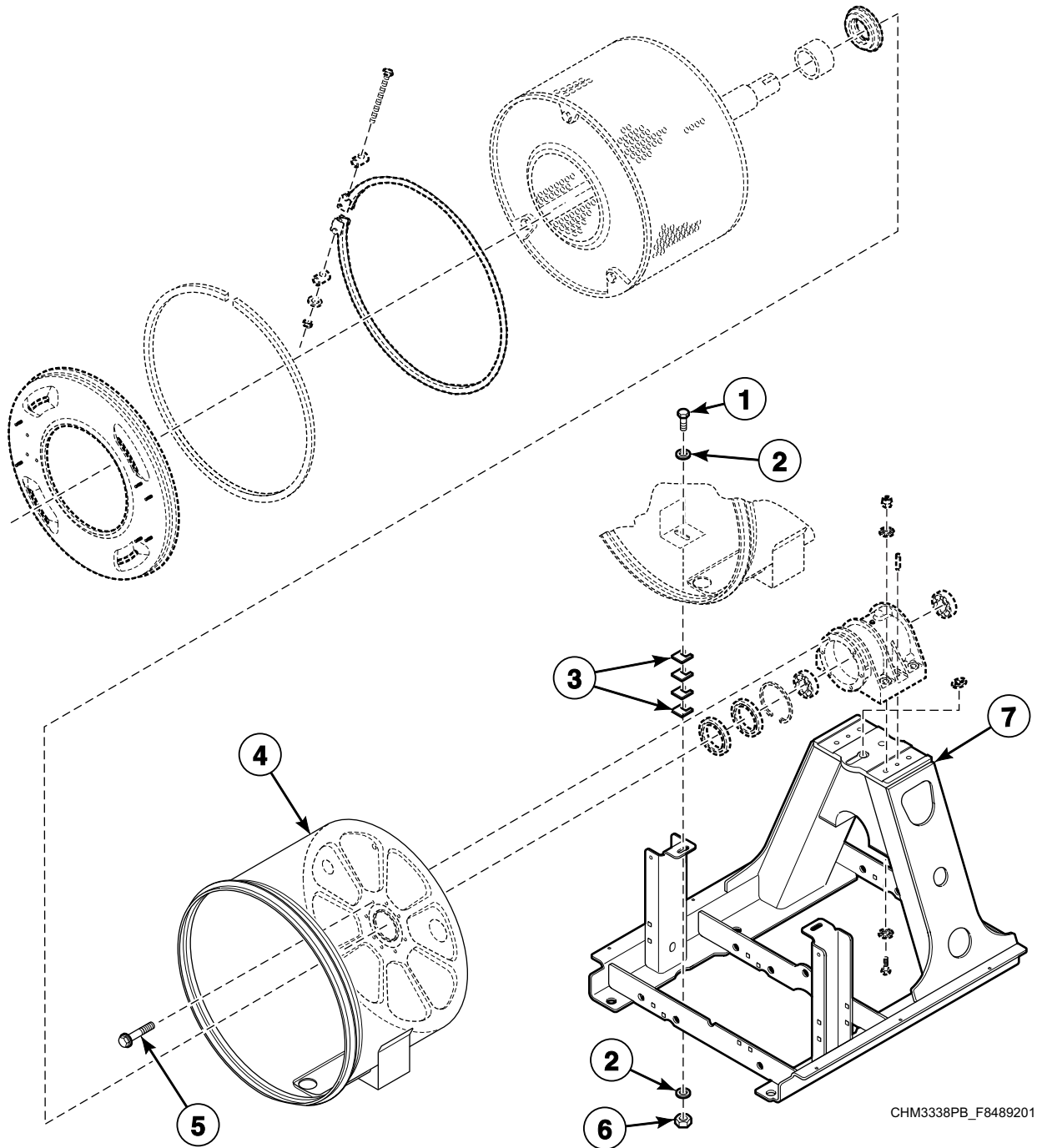




## Basket, Shell, Frame and Bearing Housing - Design 2 and 3 Models (Drawing 2 of 3)

| REF | PART NO. | DESCRIPTION              | COMMENTS   |
|-----|----------|--------------------------|--|
| 1   | F100137P | Bearing                  | 6308 2RS C3; Front; 20 and 40 pound models   |
|     | F100123P | Bearing                  | 6309 2RS C3; Front; 30 pound models  |
|     | F100135  | Bearing                  | 6313 2RS C3; Front; 60 pound models  |
| 2   | F8247902 | Bearing Housing          | 20 pound models  |
|     | F8246802 | Bearing Housing          | 30 pound models  |
|     | F8249902 | Bearing Housing          | 40 pound models  |
|     | F8250902 | Bearing Housing          | 60 pound models  |
| 3   | F8350301 | Seal Scupper Pad         | 20 and 30 pound models   |
|     | F8350302 | Seal Scupper Pad         | 40 pound models  |
|     | F8350303 | Seal Scupper Pad         | 60 pound models  |
| 4   | F8366601 | Washer                   | 20 pound models  |
|     | F430339  | Washer                   | All other models   |
| 5   | F8368701 | Screw                    | 20 pound models  |
|     | F8368801 | Screw                    | All other models   |
| 6   | F8203801 | Triple Lip Seal          | 20 pound models  |
|     | F8203802 | Triple Lip Seal          | 30 pound models  |
|     | F8203803 | Triple Lip Seal          | 40 pound models  |
|     | F8203806 | Triple Lip Seal          | 60 pound models  |
| 7   | F8344901 | Retaining Ring           | 20 pound models; Models that have been upgraded with F935P3 Pressfit Upgrade Kit or models starting 4/1/10 |
|     | F8345001 | Retaining Ring           | 30 pound models; Models that have been upgraded with F936P3 Pressfit Upgrade Kit or models starting 4/1/10 |
|     | F8337801 | Retaining Ring           | 40 pound models; Models that have been upgraded with F938P3 Pressfit Upgrade Kit or models starting 4/1/10 |
|     | F8337901 | Retaining Ring           | 60 pound models; Models that have been upgraded with F939P3 Pressfit Upgrade Kit or models starting 4/1/10 |
| 8   | F100136P | Bearing                  | 6307 2RS C3; Rear; 20 pound models   |
|     | F100108  | Bearing                  | 6208 2RS C3; Rear; 30 pound models   |
|     | F100134  | Bearing                  | 6310 2RS C3; Rear; 40 and 60 pound models  |
| 9   | F8387601 | Nut                      | 20 pound models  |
|     | F8387701 | Nut                      | 30, 40 and 60 pound models   |
| 10  | F8388101 | Dowel Pin                | 20 pound models  |
|     | F8388201 | Dowel Pin                | All other models   |
| 11  | F8271601 | Bearing Housing Assembly | 20 pound models  |
|     | F8271701 | Bearing Housing Assembly | 30 pound models  |
|     | F8271801 | Bearing Housing Assembly | 40 pound models  |
|     | F8271901 | Bearing Housing Assembly | 60 pound models  |

# Basket, Shell, Frame and Bearing Housing - Design 2 and 3 Models (Drawing 3 of 3)

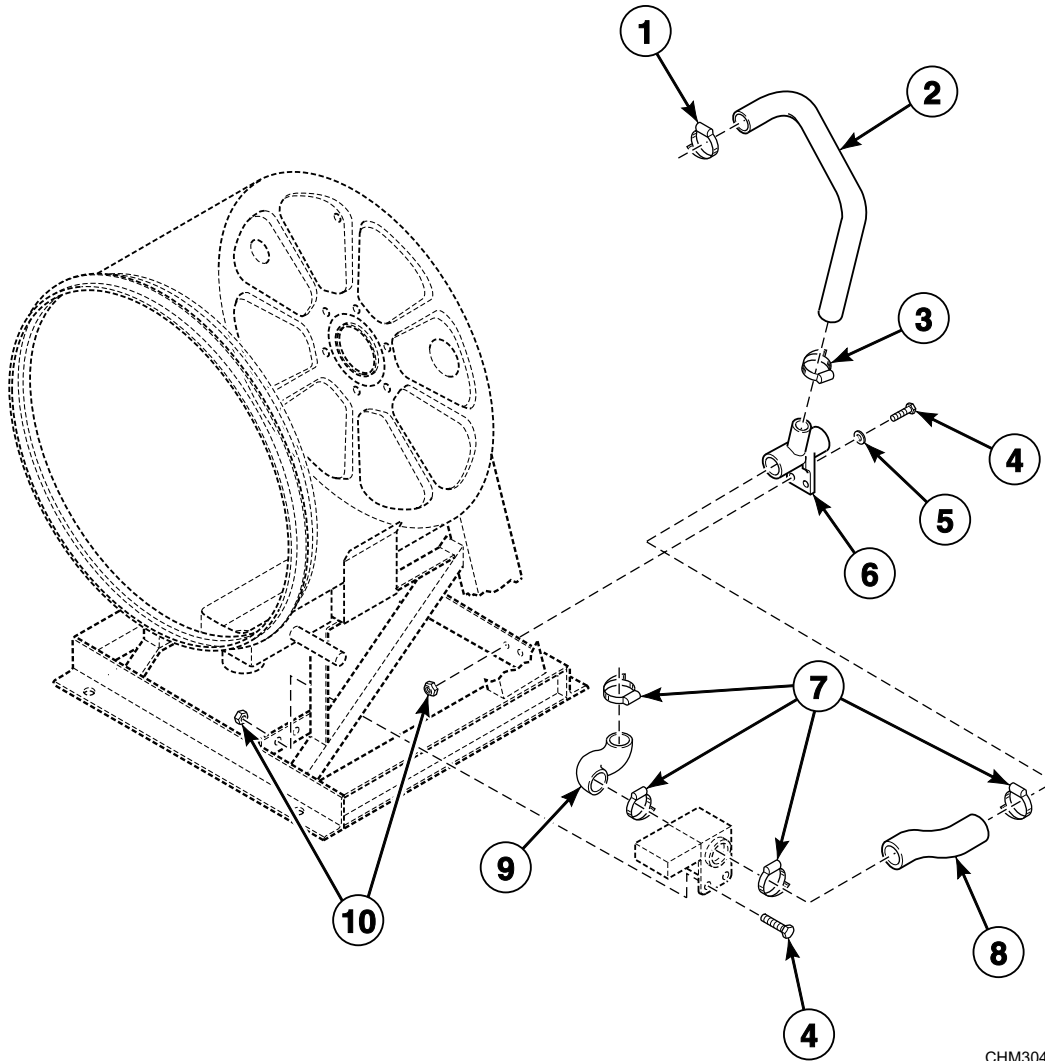


CHM3338PB\_F8489201

## Basket, Shell, Frame and Bearing Housing - Design 2 and 3 Models (Drawing 3 of 3)

| REF      | PART NO.  | DESCRIPTION        | COMMENTS                                       |
|----------|-----------|--------------------|--|
|          | F8433301  | Frame Template     | 20 pound models                                |
|          | F8433401  | Frame Template     | 30 pound models                                |
|          | F8433501  | Frame Template     | 40 pound models                                |
|          | F8433601  | Frame Template     | 60 pound models                                |
|          | F8498101  | Concrete Epoxy Kit |  |
|          | 1111P     | Concrete Kit       | 5/8 inch                                       |
| <b>1</b> | H88213996 | Screw              |  |
| <b>2</b> | M400081   | Washer             |  |
| <b>3</b> | F8402701  | Washer             |  |
| <b>4</b> | F8360601  | Shell Weldment     | 20 pound coin models; Standard                 |
|          | F8360602  | Shell Weldment     | 20 pound OPL models; Models with electric heat |
|          | F8360603  | Shell Weldment     | 20 pound OPL models; Standard                  |
|          | F8360701  | Shell Weldment     | 30 pound coin models; Standard                 |
|          | F8360702  | Shell Weldment     | 30 pound OPL models; Models with electric heat |
|          | F8360703  | Shell Weldment     | 30 pound OPL models; Standard                  |
|          | F8360801  | Shell Weldment     | 40 pound coin models; Standard                 |
|          | F8360802  | Shell Weldment     | 40 pound OPL models; Models with electric heat |
|          | F8360803  | Shell Weldment     | 40 pound OPL models; Standard                  |
|          | F8360901  | Shell Weldment     | 60 pound coin models; Standard                 |
|          | F8360902  | Shell Weldment     | 60 pound OPL models; Models with electric heat |
|          | F8360903  | Shell Weldment     | 60 pound OPL models; Standard                  |
| <b>5</b> | F8442701  | Screw              |  |
| <b>6</b> | 44087301  | Nut                |  |
| <b>7</b> | F8247001  | Frame Weldment     | 20 pound models                                |
|          | F8248001  | Frame Weldment     | 30 pound models                                |
|          | F8249001  | Frame Weldment     | 40 pound models                                |
|          | F8250001  | Frame Weldment     | 60 pound models                                |

# Drain Plumbing - Design 1 Models

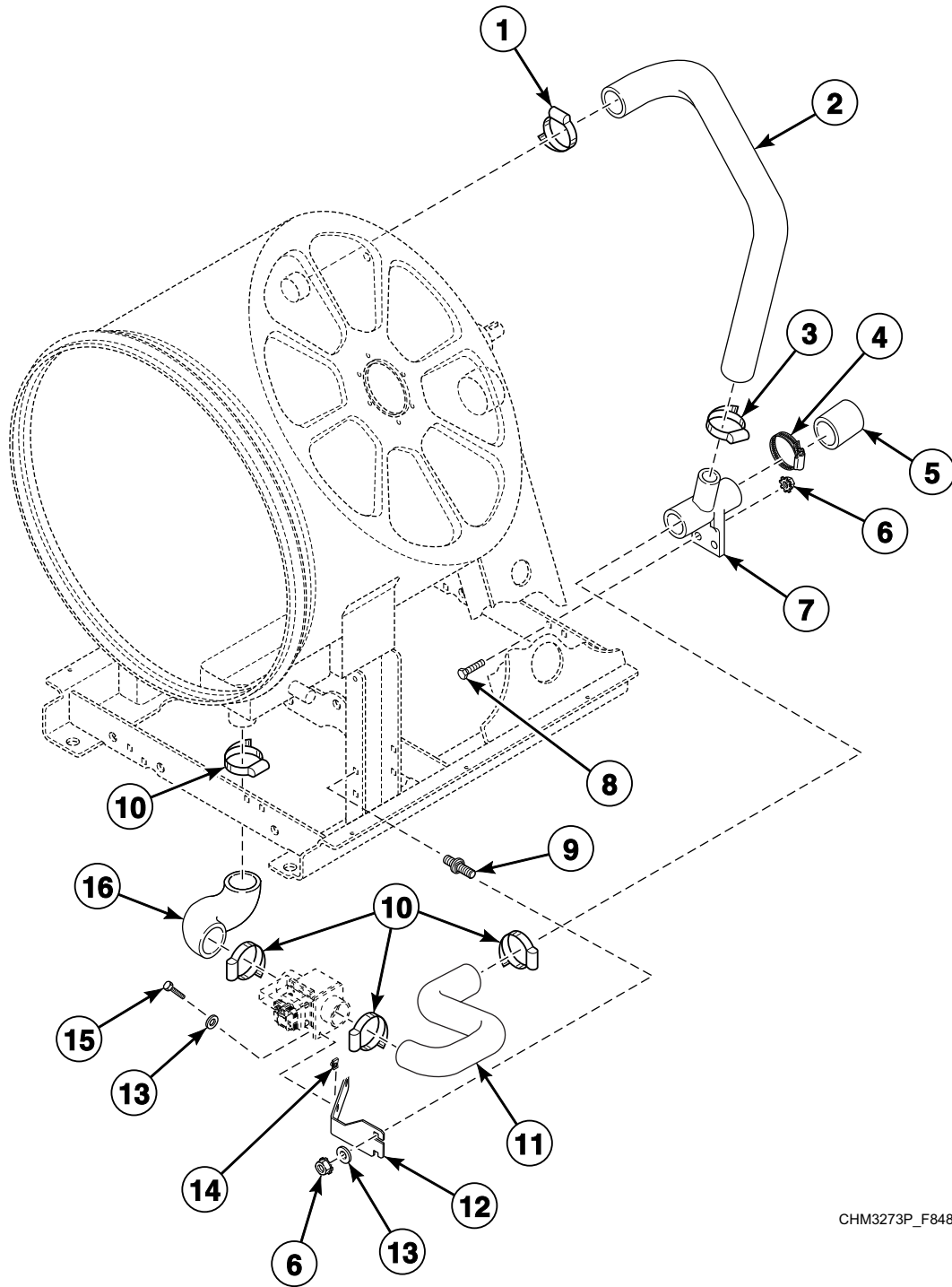


CHM3046P\_F8489201

## Drain Plumbing - Design 1 Models

| REF | PART NO.    | DESCRIPTION       | COMMENTS                       |
|-----|-------------|-------------------|--------------------------------|
| 1   | F200213     | Hose Clamp        | No. 40                         |
| 2   | F150308     | Overflow Hose     | 20 and 30 pound models         |
|     | F0200238-00 | Overflow Hose     | 40 pound models                |
|     | F8337701    | Overflow Hose     | 40 pound models; Electric heat |
|     | F150417     | Overflow Hose     | 60 pound models                |
| 3   | F200215     | Hose Clamp        | 40 pound models                |
|     | F200213     | Hose Clamp        | No. 40; All other models       |
| 4   | F430107     | Screw             |                                |
| 5   | F430317     | Washer            |                                |
| 6   | F150318     | Drain Connect Tee | 20 and 30 pound models         |
|     | F150398     | Drain Tee         | 40 and 60 pound models         |
| 7   | F200213     | Hose Clamp        | No. 40; 20 and 30 pound models |
|     | F200201     | Hose Clamp        | No. 56; 40 and 60 pound models |
| 8   | F8233101    | Drain Hose        | Rear; 20 pound models          |
|     | F8233102    | Drain Hose        | Rear; 30 pound models          |
|     | F8231901    | Drain Hose        | Rear; 40 pound models          |
|     | F8231902    | Drain Hose        | Rear; 60 pound models          |
| 9   | F8233001    | Drain Hose        | Front; 20 and 30 pound models  |
|     | F8232901    | Drain Hose        | Front; 40 and 60 pound models  |
| 10  | F430215     | Nut               |                                |

# Drain Plumbing - Design 2 and 3 Models

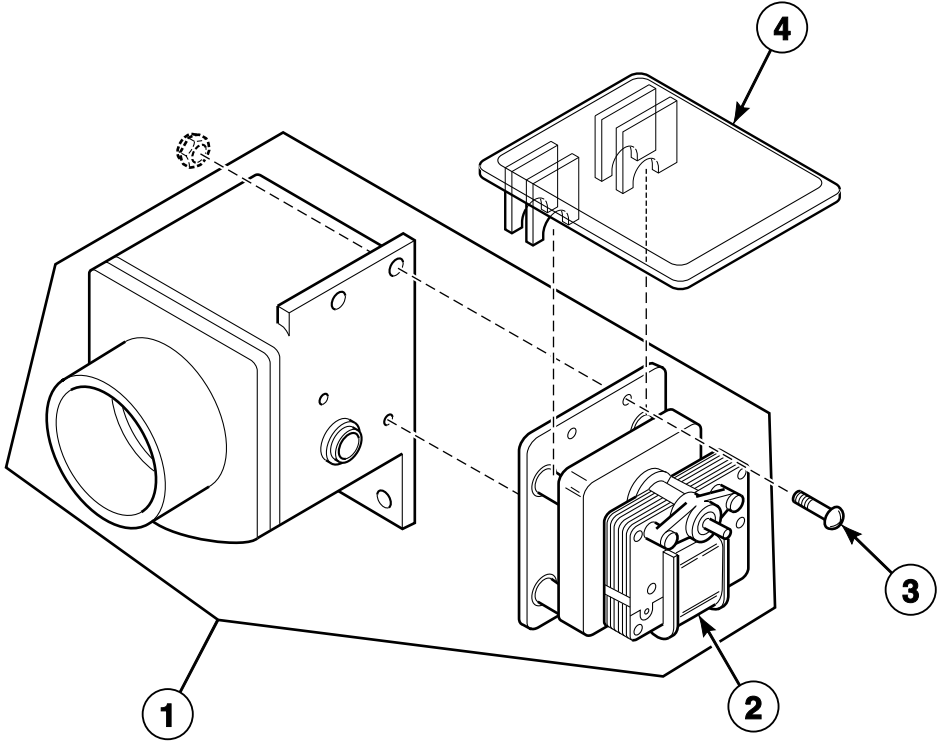


CHM3273P\_F8489201

## Drain Plumbing - Design 2 and 3 Models

| REF | PART NO.   | DESCRIPTION       | COMMENTS                              |
|-----|------------|-------------------|---------------------------------------|
| 1   | F200213    | Hose Clamp        | No. 40                                |
| 2   | F8367901   | Overflow Hose     | 20 pound models                       |
|     | F8368001   | Overflow Hose     | 30 pound models                       |
|     | F8367201   | Overflow Hose     | 40 and 60 pound models                |
| 3   | F200215    | Hose Clamp        | No. 28; 20 and 30 pound models        |
|     | F200213    | Hose Clamp        | No. 40; 40 and 60 pound models        |
| 4   | F200201    | Hose Clamp        | No. 56; 40 and 60 pound models        |
| 5   | F200165100 | Drain Hose        | 40 and 60 pound models                |
| 6   | 44087201   | Nut               |                                       |
| 7   | F150318    | Drain Connect Tee | 20 and 30 pound models                |
|     | F150398    | Drain Tee         | 40 and 60 pound models                |
| 8   | F430522    | Bolt              | 20 and 30 pound models                |
|     | F8402801   | Bolt              | 40 and 60 pound models                |
| 9   | 70334702   | Stud              |                                       |
| 10  | F200213    | Hose Clamp        | No. 40; 20 and 30 pound models        |
|     | F200201    | Hose Clamp        | No. 56; 40 and 60 pound models        |
| 11  | F8365601   | Rear Drain Hose   | 20 pound models                       |
|     | F8365602   | Rear Drain Hose   | 30 pound models                       |
|     | F8231904   | Rear Drain Hose   | 40 pound models                       |
|     | F8231905   | Rear Drain Hose   | 60 pound models                       |
| 12  | F8365401   | Bracket           | 20 pound models                       |
|     | F8365402   | Bracket           | 30 pound models                       |
|     | F8434601   | Bracket           | 40 pound models                       |
|     | F8434701   | Bracket           | 60 pound models                       |
| 13  | M405535    | Washer            |                                       |
| 14  | 70030401   | Nut               |                                       |
| 15  | 202175     | Screw             |                                       |
| 16  | F8261302   | Drain Hose        | 20 and 30 pound models                |
|     | F8261303   | Drain Hose        | 20 and 30 pound models; Electric heat |
|     | F8232901   | Drain Hose        | 40 and 60 pound models                |
|     | F8464701   | Drain Hose        | 40 and 60 pound models; Electric heat |

# Drain Valve Assembly - 20 and 30 Pound Models



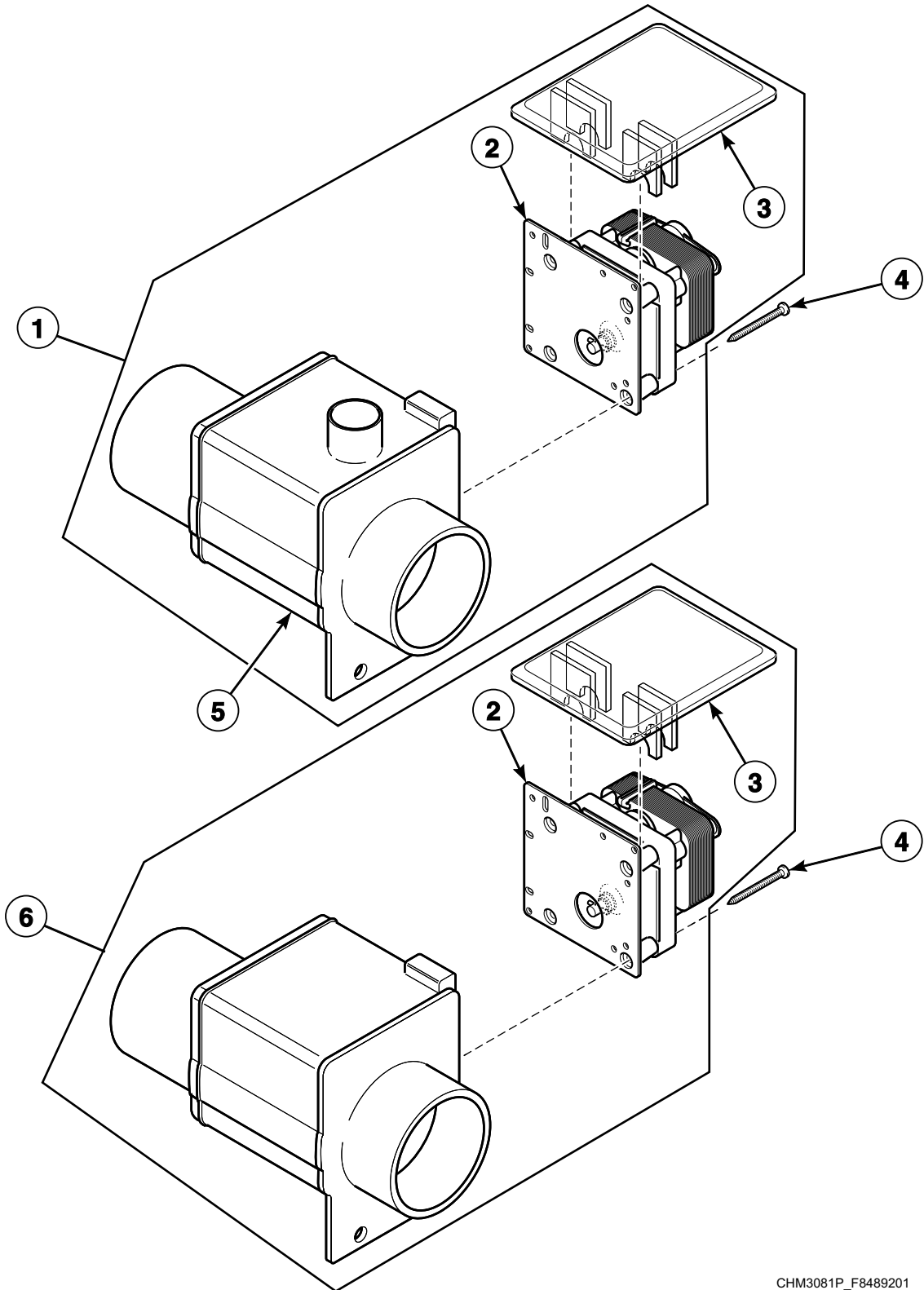
CHM2450P\_F8489201



## Drain Valve Assembly - 20 and 30 Pound Models

| REF | PART NO.   | DESCRIPTION                             | COMMENTS              |
|-----|------------|---|-----------------------|
|     | F8504601   | Spring                                  | Use with item 1       |
| 1   | 803292     | Gravity Drain Valve                     | 220 Volt              |
| 2   | F380933P   | Drain Valve Motor                       | Round shaft; 220 Volt |
|     | G159764P   | Drain Valve Motor and Gear Box Assembly | Keyed shaft; 220 Volt |
| 3   | F200182700 | Bolt                                    |                       |
| 4   | F200133600 | Drain Valve Cover                       |                       |

# Drain Valve Assembly - 40 and 60 Pound Models

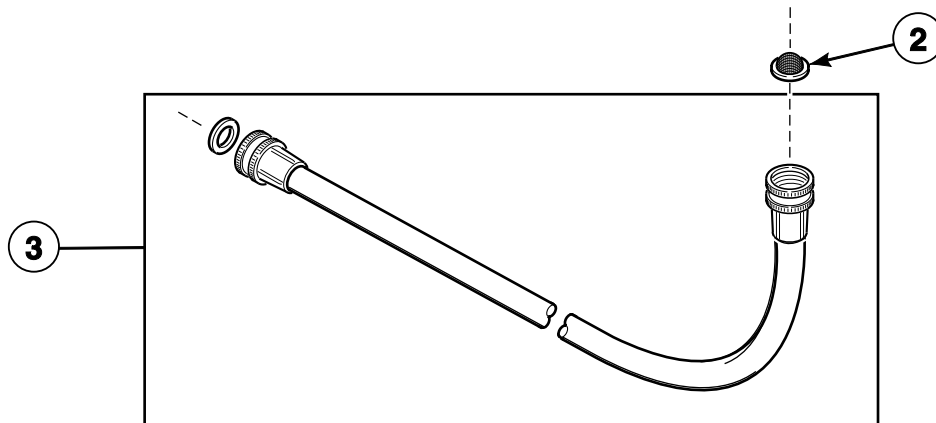
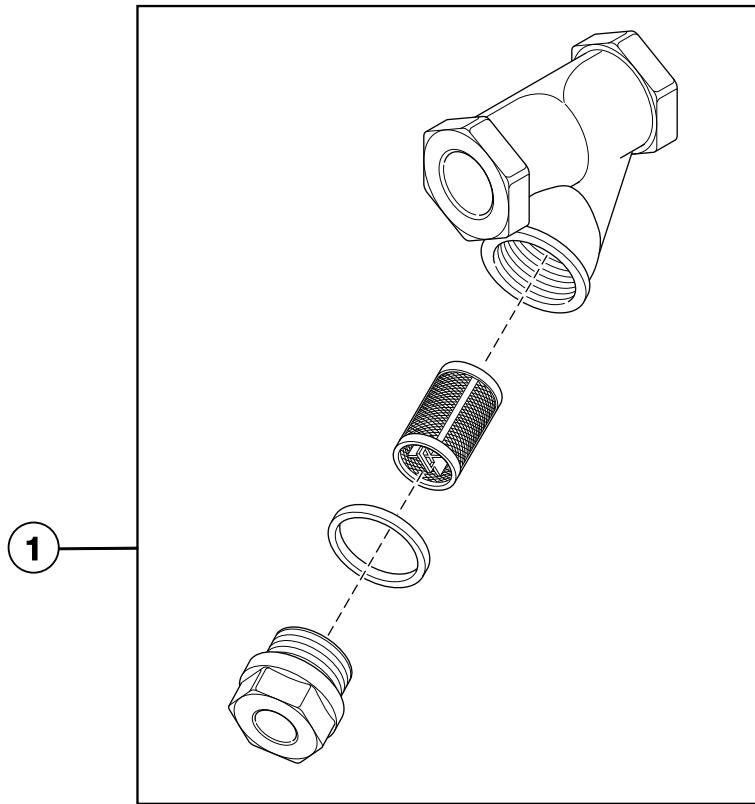


CHM3081P\_F8489201

## Drain Valve Assembly - 40 and 60 Pound Models

| REF      | PART NO.   | DESCRIPTION                             | COMMENTS                             |
|----------|------------|---|--------------------------------------|
|          | F8504701   | Spring                                  | Use with F038062900 Drain Valve      |
| <b>1</b> | F200166400 | Drain Valve Kit                         | 220 Volt; Models with heat           |
| <b>2</b> | F380933P   | Drain Valve Motor                       | Round shaft; 220 Volt                |
|          | G159764P   | Drain Valve Motor and Gear Box Assembly | Keyed shaft; 220 Volt                |
| <b>3</b> | F200133600 | Drain Valve Cover                       |                                      |
| <b>4</b> | F200182700 | Bolt                                    |                                      |
| <b>5</b> | F038062900 | Drain Valve                             | Design 1; 220 Volt; Models with heat |
|          | F8406307   | Drain Valve                             | Design 2; 240 Volt; Models with heat |
| <b>6</b> | F200166402 | Drain Valve Kit                         | 220 Volt                             |

# Steam Filter (Optional) and Water Supply Hose

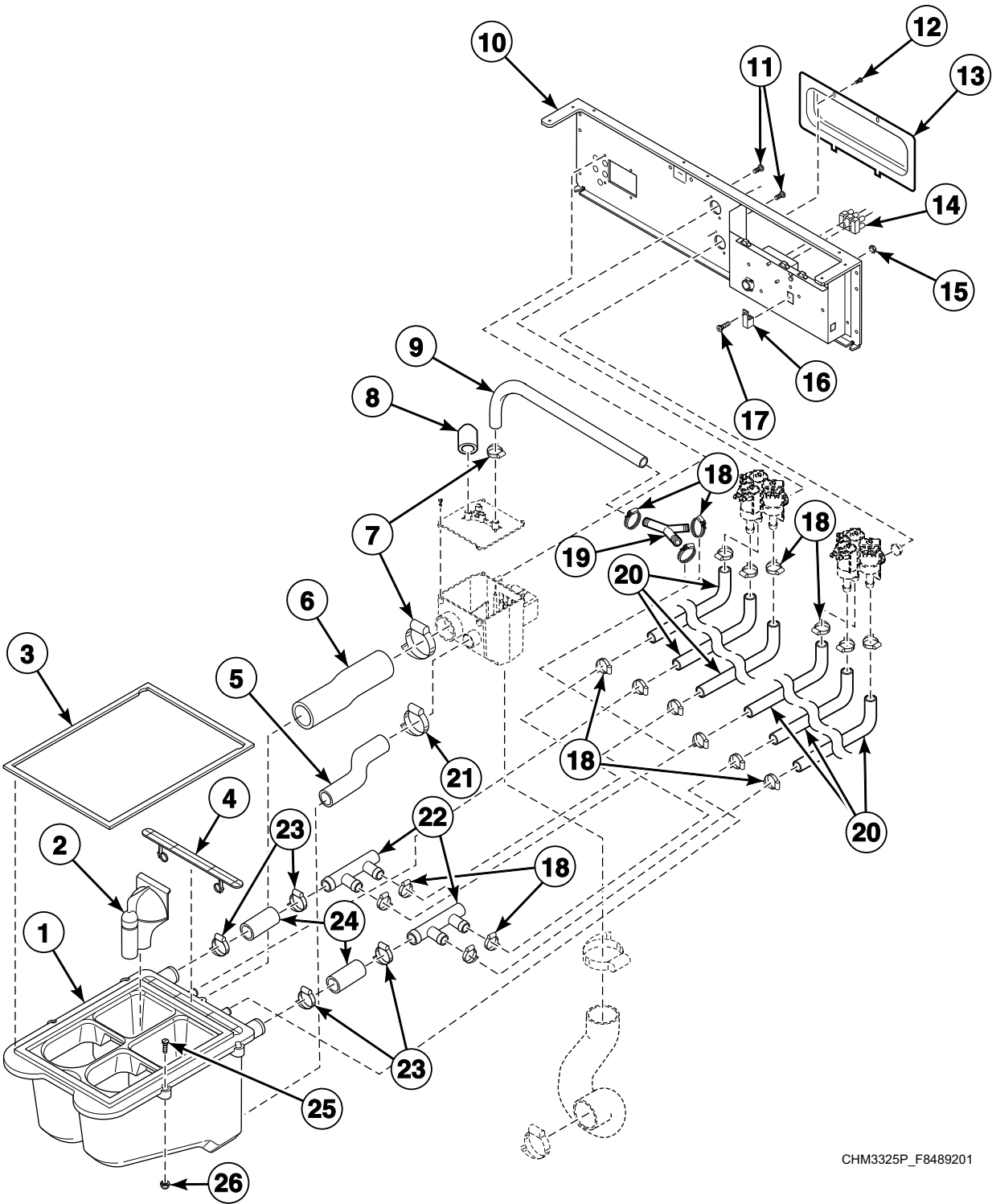


CHM3049P\_F8489201

## Steam Filter (Optional) and Water Supply Hose

| REF | PART NO.     | DESCRIPTION  | COMMENTS                            |
|-----|--------------|--------------|-------------------------------------|
| 1   | F270307      | Steam Filter | 1/2 inch                            |
|     | F270308      | Steam Filter | 3/4 inch                            |
| 2   | 803615       | Washer       | Filter                              |
| 3   | F200116      | Water Hose   | 3/8 inch; Standard thread           |
|     | F200108P     | Water Hose   | 1/2 inch; Standard or metric thread |
|     | 223/00049/10 | Fill Hose    | Metric thread                       |

# Fill Plumbing Assembly (Drawing 1 of 2)

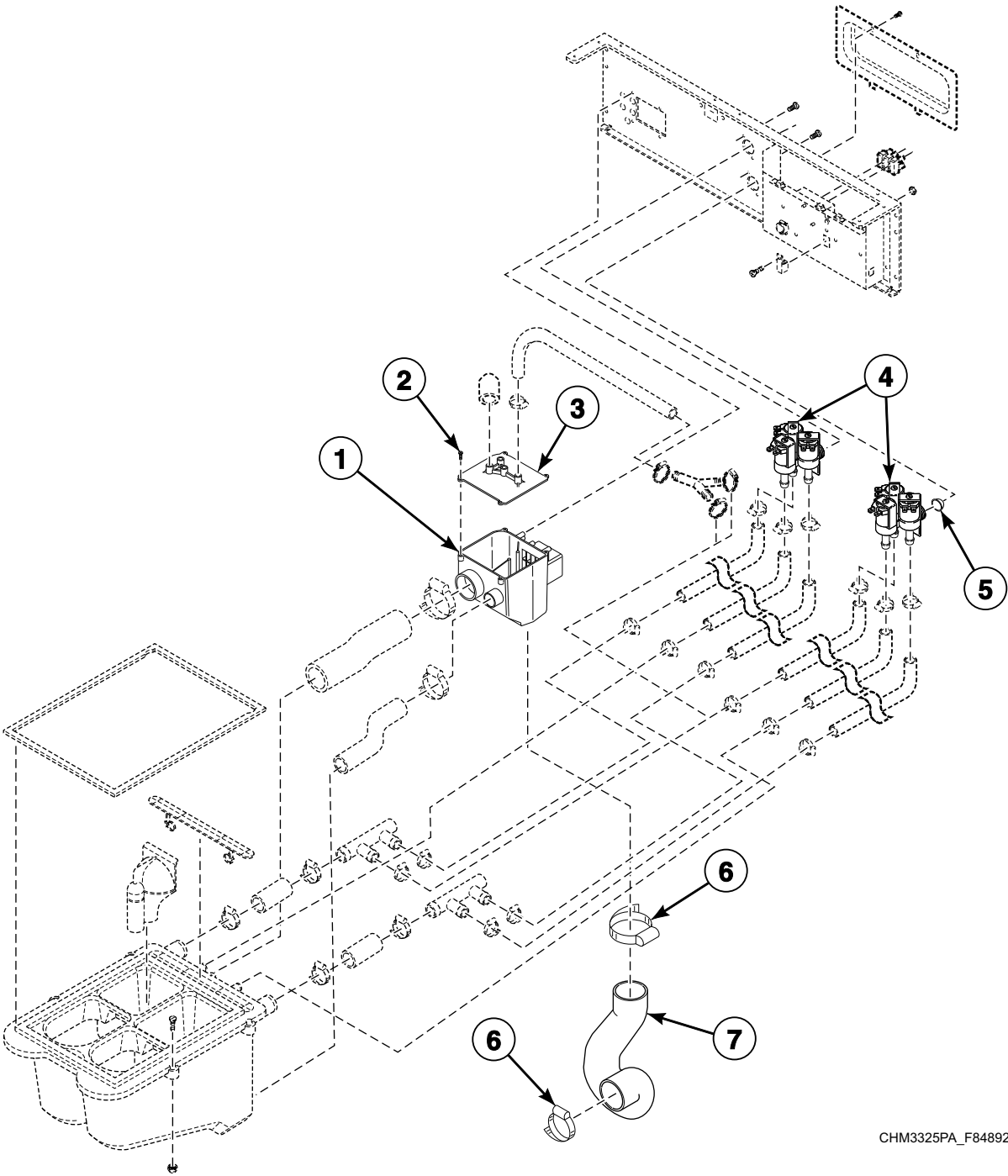


CHM3325P\_F8489201

## Fill Plumbing Assembly (Drawing 1 of 2)

| REF | PART NO.    | DESCRIPTION             | COMMENTS   |
|-----|-------------|-------------------------|--|
| 1   | F8047401    | Dispenser Assembly      | Models through 10/15/12; Includes items 2 and 4  |
|     | F8047402    | Dispenser Assembly      | Models starting 10/16/12; Includes items 2 and 4 |
| 2   | F8047901    | Siphon Cover            |  |
| 3   | F8308301    | Dispenser Gasket        |  |
| 4   | F8047801    | Access Cover            |  |
| 5   | F8043401    | Dispenser Overflow Hose | 20 pound models                                  |
|     | F8043403    | Dispenser Overflow Hose | 30 pound models                                  |
|     | F8043404    | Dispenser Overflow Hose | 40 pound models                                  |
|     | F8043405    | Supply Overflow Hose    | 60 pound models                                  |
| 6   | F8042801    | Vacuum Supply Hose      | 20 pound models                                  |
|     | F8042803    | Vacuum Supply Hose      | 30 pound models                                  |
|     | F8042804    | Vacuum Supply Hose      | 40 pound models                                  |
|     | F8042805    | Vacuum Supply Hose      | 60 pound models                                  |
| 7   | F200213     | Hose Clamp              | No. 40   |
| 8   | F8197701    | Cap                     |  |
| 9   | F0200244-01 | Vacuum Breaker Hose     | 60 pound models                                  |
|     | F0200244-02 | Vacuum Breaker Hose     | All other models                                 |
| 10  | F8039901    | Valve Panel             | Design 1; 20 pound models                        |
|     | F8017501    | Valve Panel             | Design 1; 30 pound models                        |
|     | F8039601    | Valve Panel             | Design 1; 40 pound models                        |
|     | F8039801    | Valve Panel             | Design 1; 60 pound models                        |
|     | F8398701    | Valve Panel             | Design 2 and 3; 20 pound models                  |
|     | F8398801    | Valve Panel             | Design 2 and 3; 30 pound models                  |
|     | F8398901    | Valve Panel             | Design 2; 40 pound models                        |
|     | F8399001    | Valve Panel             | Design 2; 60 pound models                        |
| 11  | F8230301    | Screw                   |  |
| 12  | F8206901    | Screw                   |  |
| 13  | F8177001    | Terminal Tray Cover     |  |
| 14  | 430642      | Terminal Block          | Includes screws                                  |
| 15  | F430232     | Nut                     |  |
| 16  | M411283     | Ground Lug Connector    |  |
| 17  | F430909     | Screw                   |  |
| 18  | 36801       | Hose Clamp              | No. 8; Design 1                                  |
| 19  | F422816     | Y Connector             | Design 1   |
| 20  | F8232004    | Hose                    | 20 pound models                                  |
|     | F8232001    | Hose                    | 30 pound models                                  |
|     | F8232002    | Hose                    | 40 and 60 pound models                           |
| 21  | 20211       | Hose Clamp              | No. 17   |
| 22  | F8333201    | Manifold                |  |
| 23  | F200222     | Hose Clamp              | No. 12   |
| 24  | F606816-1   | Hose                    |  |
| 25  | F0430268-00 | Screw                   |  |
| 26  | F0431807-00 | Nut                     |  |

# Fill Plumbing Assembly (Drawing 2 of 2)



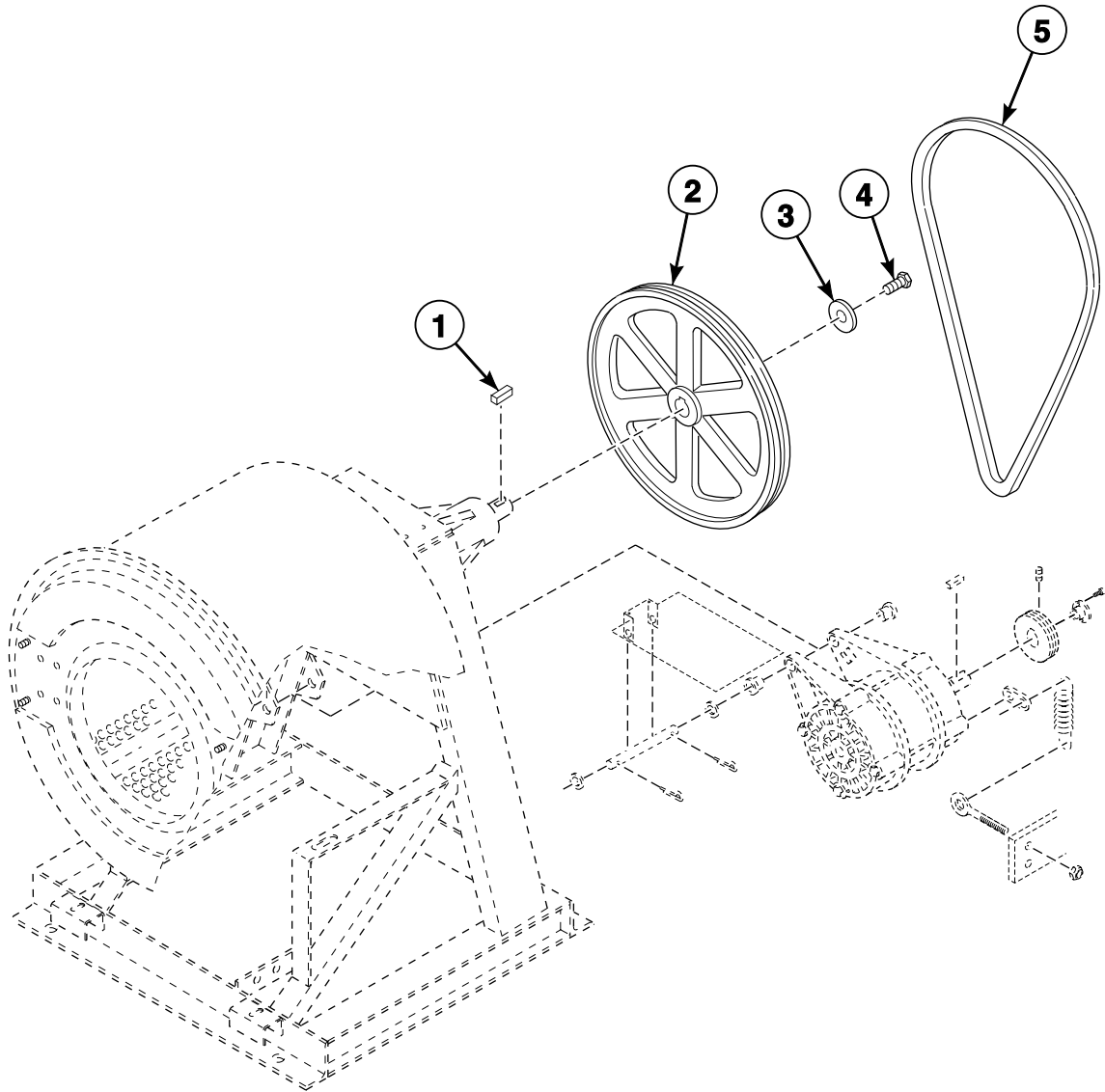
CHM3325PA\_F8489201



## Fill Plumbing Assembly (Drawing 2 of 2)

| REF | PART NO.  | DESCRIPTION             | COMMENTS   |
|-----|-----------|-------------------------|--|
|     | G582P3    | Diaphragm and Guide Kit | Use with F8286401P 3-Way Valve and F8286402P 3-Way Valve |
| 1   | F8048601  | Vacuum Breaker Assembly | Includes items 2 and 3                                   |
| 2   | 800548    | Screw                   |  |
| 3   | F8439301  | Vacuum Breaker Cover    |  |
| 4   | F8286401P | 3-Way Valve             | 240 Volt/50 or 60 Hertz; U.S.                            |
|     | F8286402P | 3-Way Valve             | 240 Volt/50 or 60 Hertz; Metric                          |
| 5   | 803615    | Washer                  | Filter   |
| 6   | F200213   | Hose Clamp              | No. 40   |
| 7   | F8042201  | P-Trap Hose             | 20 pound models  |
|     | F8042202  | P-Trap Hose             | 30 and 40 pound models                                   |
|     | F8042301  | P-Trap Hose             | 60 pound models  |

# Pulley and Belt - Design 1 Models (Drawing 1 of 3)

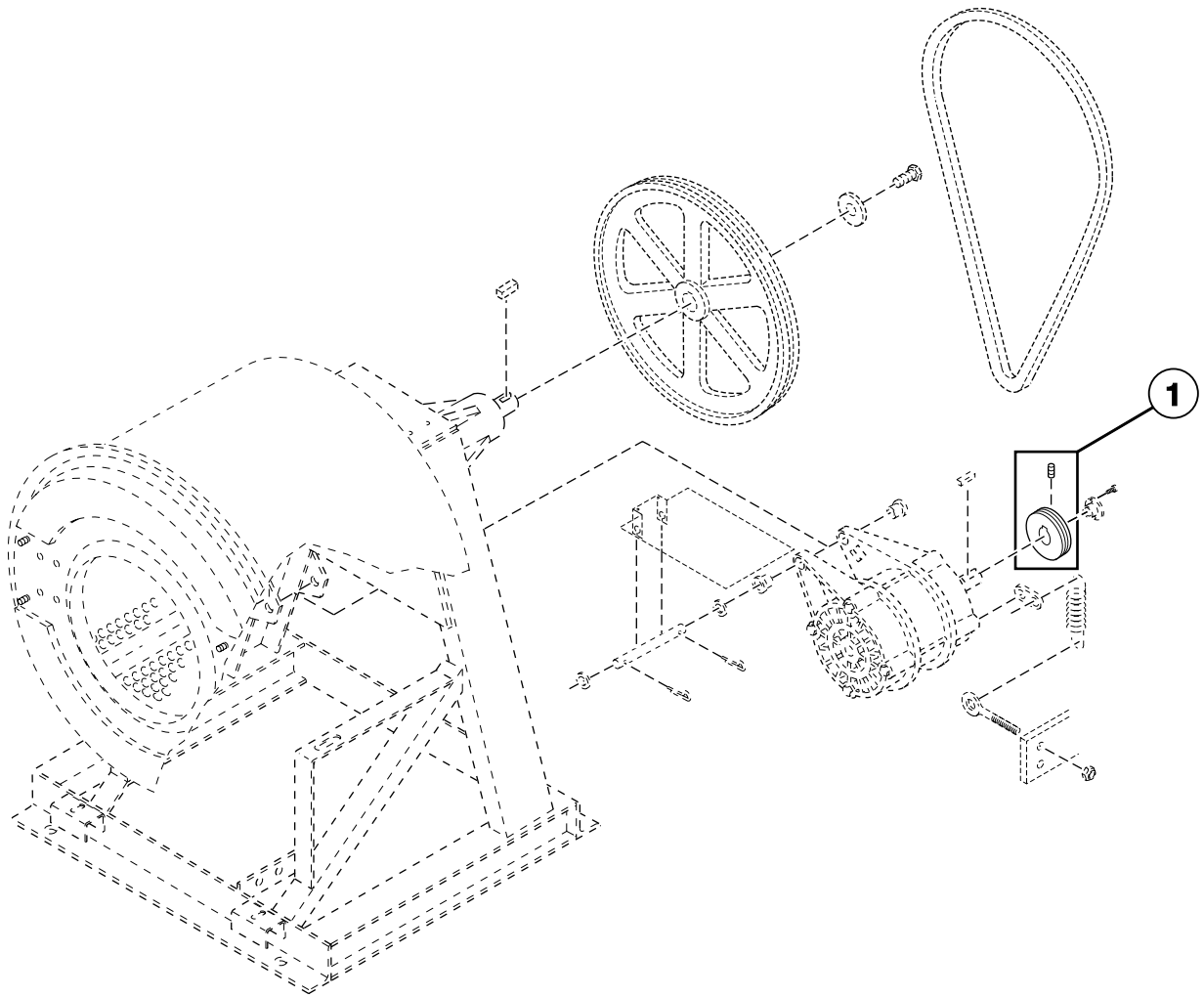


CHM3050P\_F8489201

## Pulley and Belt - Design 1 Models (Drawing 1 of 3)

| REF | PART NO.   | DESCRIPTION   | COMMENTS  |
|-----|------------|---------------|---|
| 1   | F430801    | Key           |   |
| 2   | F280170    | Sheave Pulley | 20 pound models; 13V1800                              |
|     | F280172    | Sheave Pulley | 30 pound models; 13V2200                              |
|     | F280197    | Pulley        | 40 pound models; 23V2200                              |
|     | F200299700 | Basket Pulley | 60 pound models; X-voltage                            |
|     | F280173    | Pulley        | 60 pound models; All other voltages; 23V2400          |
| 3   | F431115    | Washer        |   |
| 4   | F430100    | Screw         |   |
| 5   | F280343    | Belt          | 3V730; 20 pound 2 speed models; C and O-voltage       |
|     | F280337    | Belt          | 3V710; 20 pound 2 speed models; B, O and Y-voltage    |
|     | F280370    | Belt          | 690J4; 20 pound F and V-speed models; X-voltage       |
|     | F280321    | Belt          | 3V800; 30 pound 2 speed models; C, F, O and Y-voltage |
|     | F280368P   | Belt          | 785J4; 30 pound F and V-speed models; X-voltage       |
|     | F280341    | Belt          | 3V850; 40 pound 2 speed models; C-voltage             |
|     | F280342    | Belt          | 3V830; 40 pound 2 speed models; F, O and Y-voltage    |
|     | F280369P   | Belt          | 820J6; 40 pound F and V-speed models; X-voltage       |
|     | F280373    | Belt          | 3V90.65; 60 pound 2 speed models; C-voltage           |
|     | F280304    | Belt          | 3V900; 60 pound 2 speed models; F, O and Y-voltage    |
|     | F280366P   | Belt          | 870J6; 60 pound F and V-speed models; R and X-voltage |

# Pulley and Belt - Design 1 Models (Drawing 2 of 3)

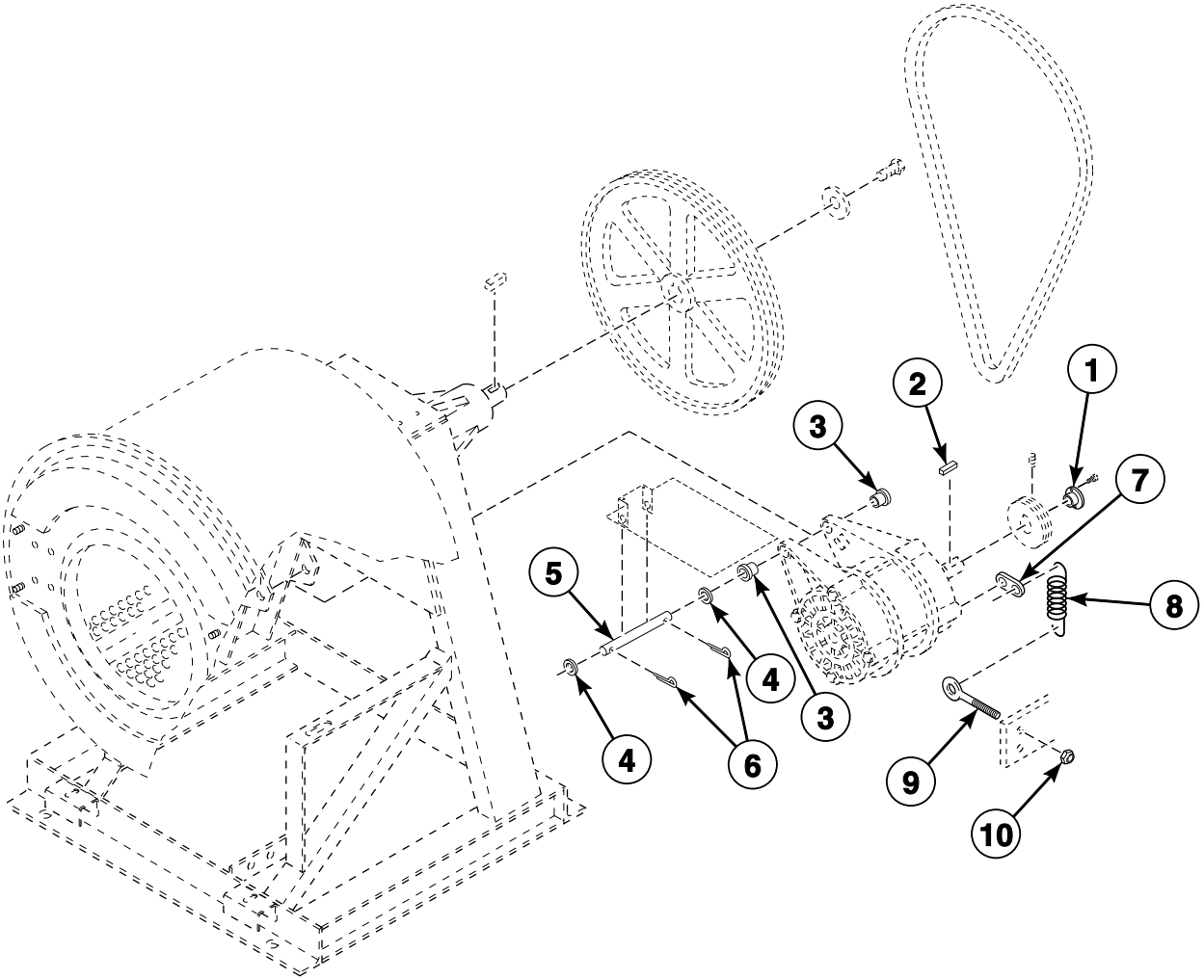


CHM3050PA\_F8489201

## Pulley and Belt - Design 1 Models (Drawing 2 of 3)

| REF | PART NO.    | DESCRIPTION   | COMMENTS  |
|-----|-------------|---------------|---|
| 1   | F280427P    | Pulley        | 1GR3V3.15JA; Requires JA bushing; 20 pound 2 speed models; C-voltage  |
|     | F280170     | Sheave Pulley | 1GR3V2.65; 20 pound 2 speed models; B, O and Y-voltage                |
|     | H87520334   | Sheave        | 1GR3V3.35JA; Requires JA bushing; 30 pound 2 speed models; C-voltage  |
|     | F280284     | Pulley        | 1GR3V2.9; 30 pound 2 speed models; F and O-voltage                    |
|     | F280281     | Motor Pulley  | 1GR3V3.0; 30 pound 2 speed models; Y-voltage                          |
|     | F280172     | Sheave Pulley | 1GRV3V22.00; 30 pound 2 speed models; C, F, O and Y-voltage           |
|     | F280197     | Pulley        | 2GRV3V22.00; 40 pound 2 speed models; C, F, O and Y-voltage           |
|     | F280105P    | Pulley        | 2GR3V3.35SH; Requires SH bushing; 40 pound 2 speed models; C-voltage  |
|     | F0280385-00 | Sheave        | 2GR3V3.00; 40 and 60 pound 2 speed models; F, O and Y-voltage         |
|     | F280422P    | Pulley        | 2GR3V3.365SH; Requires SH bushing; 60 pound 2 speed models; C-voltage |
|     | F280173     | Pulley        | 60 pound 2 speed models; F and O-voltage                              |
|     | F280287P    | Sheave Kit    | F and V-speed models; X-voltage                                       |

# Pulley and Belt - Design 1 Models (Drawing 3 of 3)

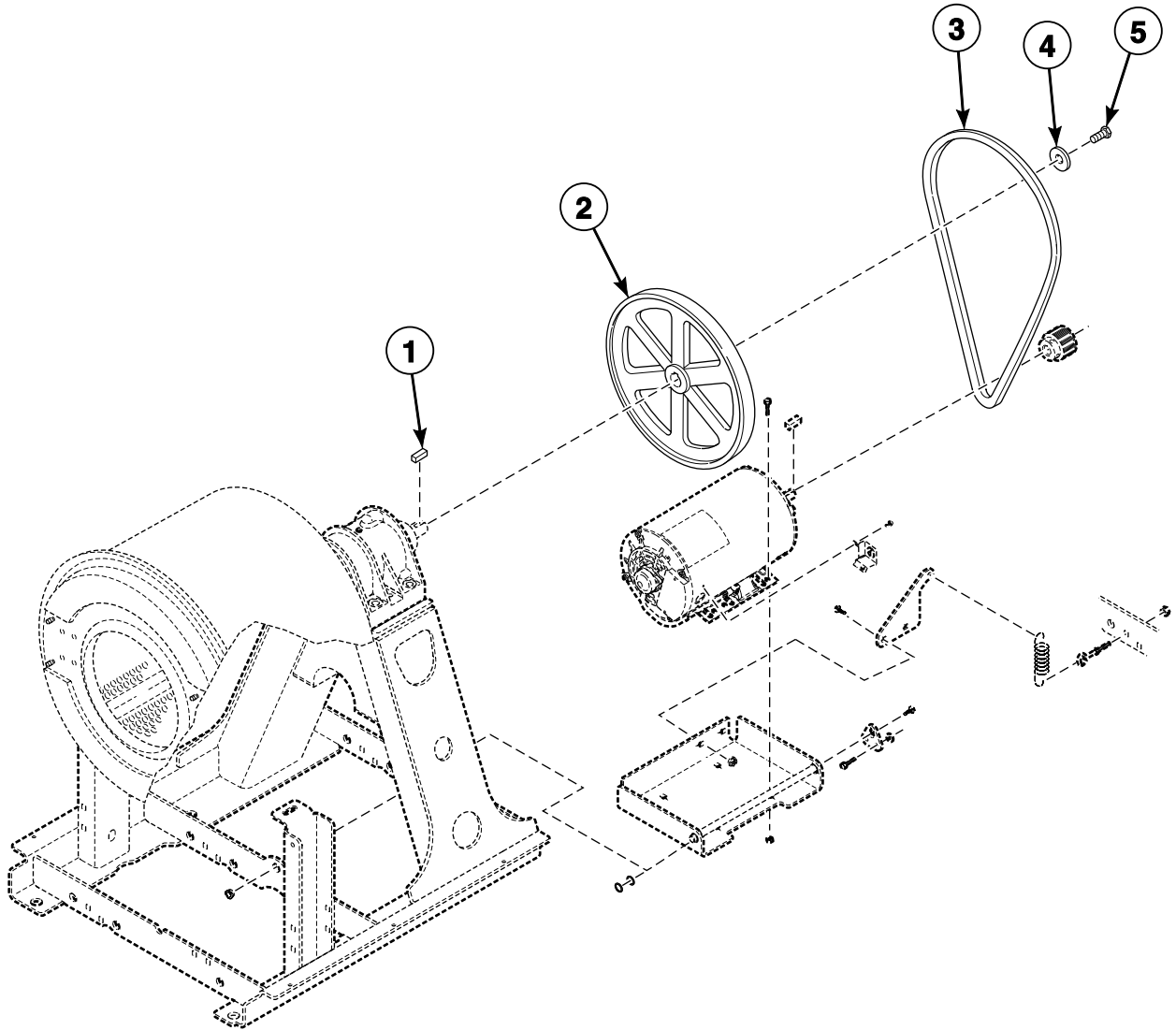


CHM3050PB\_F8489201

## Pulley and Belt - Design 1 Models (Drawing 3 of 3)

| REF | PART NO.   | DESCRIPTION           | COMMENTS  |
|-----|------------|-----------------------|---|
| 1   | H87529111P | Bushing               | JA 5/8; 20 and 30 pound models; C-voltage                 |
|     | F280298P   | Pulley Bushing        | JA 7/8; F and V-speed models; Q, R and X-voltage          |
|     | M412995P   | Bushing               | SH 7/8; 40 and 60 pound models; C-voltage                 |
| 2   | F430801    | Key                   | 30 pound models   |
|     | F430802    | Key                   | All other models  |
| 3   | F200186100 | Motor Support Bushing |   |
| 4   | 901690     | Washer                |   |
| 5   | F602844    | Motor Support Rod     | 20 pound models; 30 pound models except X-voltage         |
|     | F603059    | Motor Support Rod     | 30 pound models X-voltage; 40 pound models                |
|     | F603897    | Motor Support Rod     | 60 pound models   |
| 6   | F430401    | Cotter Pin            |   |
| 7   | F633374    | Spring Clip           |   |
| 8   | F310148    | Tension Spring        | 40 and 60 pound models; X-voltage                         |
|     | F310124    | Extension Spring      | 40 and 60 pound models except X-voltage; All other models |
| 9   | F430537    | Screw                 | 40 and 60 pound models; X-voltage                         |
| 10  | F430218    | Nut                   |   |

# Pulley and Belt - Design 2 and 3 Models (Drawing 1 of 2)



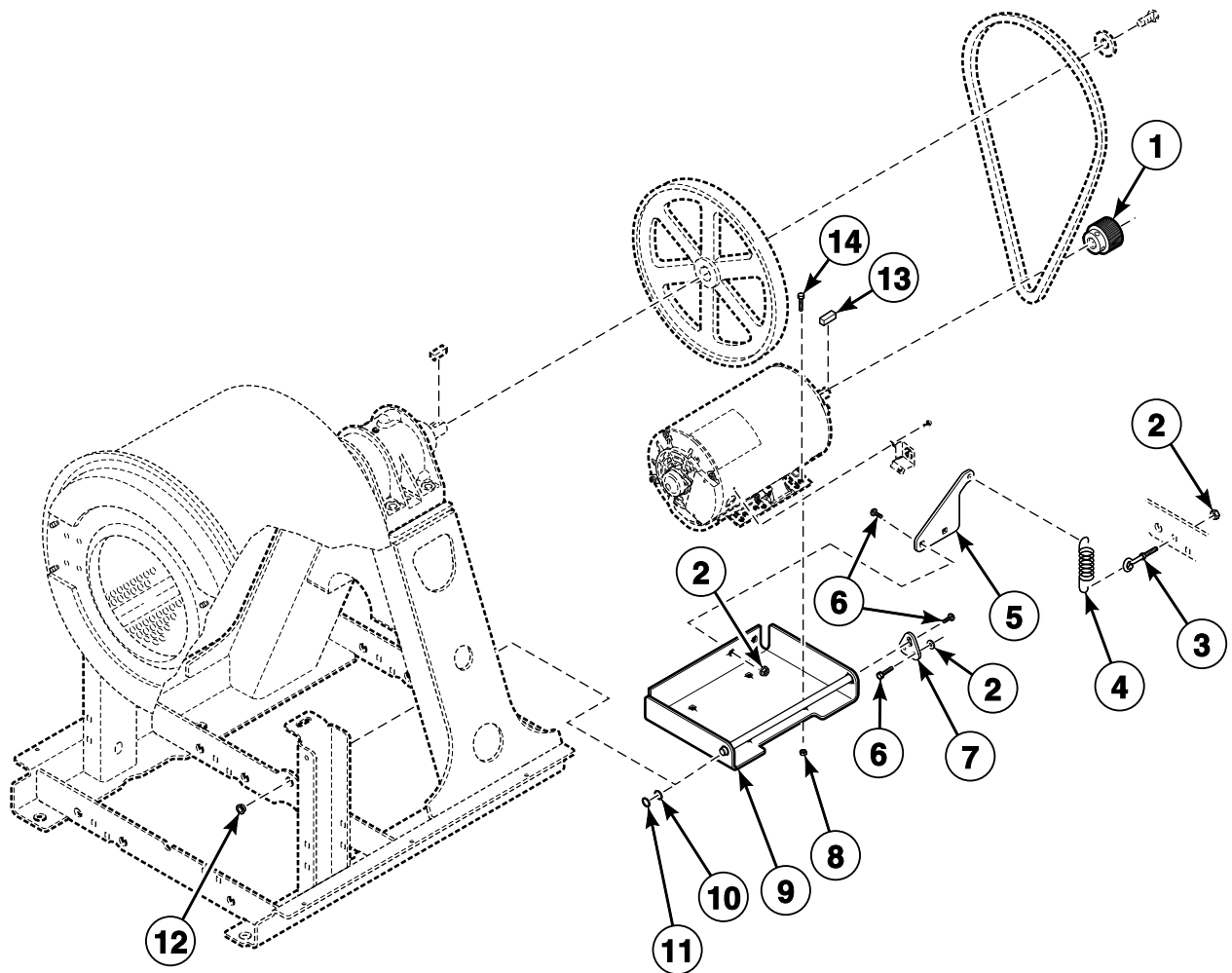
CHM3290P\_F8489201



## Pulley and Belt - Design 2 and 3 Models (Drawing 1 of 2)

| REF | PART NO.    | DESCRIPTION   | COMMENTS                            |
|-----|-------------|---------------|-------------------------------------|
| 1   | F430801     | Key           |                                     |
| 2   | F150270     | Basket Pulley | 20 pound models                     |
|     | F150269     | Basket Pulley | 30 and 40 pound models              |
|     | F200299700  | Basket Pulley | 60 pound models                     |
| 3   | F8382801    | Belt          | 20 pound models; B, Q and X-voltage |
|     | F200201700P | Belt          | 20 pound models; N and P-voltage    |
|     | F8382803    | Belt          | 30 pound models                     |
|     | F8382804    | Belt          | 40 pound models                     |
|     | F8382805    | Belt          | 60 pound models                     |
| 4   | F431115     | Washer        |                                     |
| 5   | F430100     | Screw         |                                     |

# Pulley and Belt - Design 2 and 3 Models (Drawing 2 of 2)

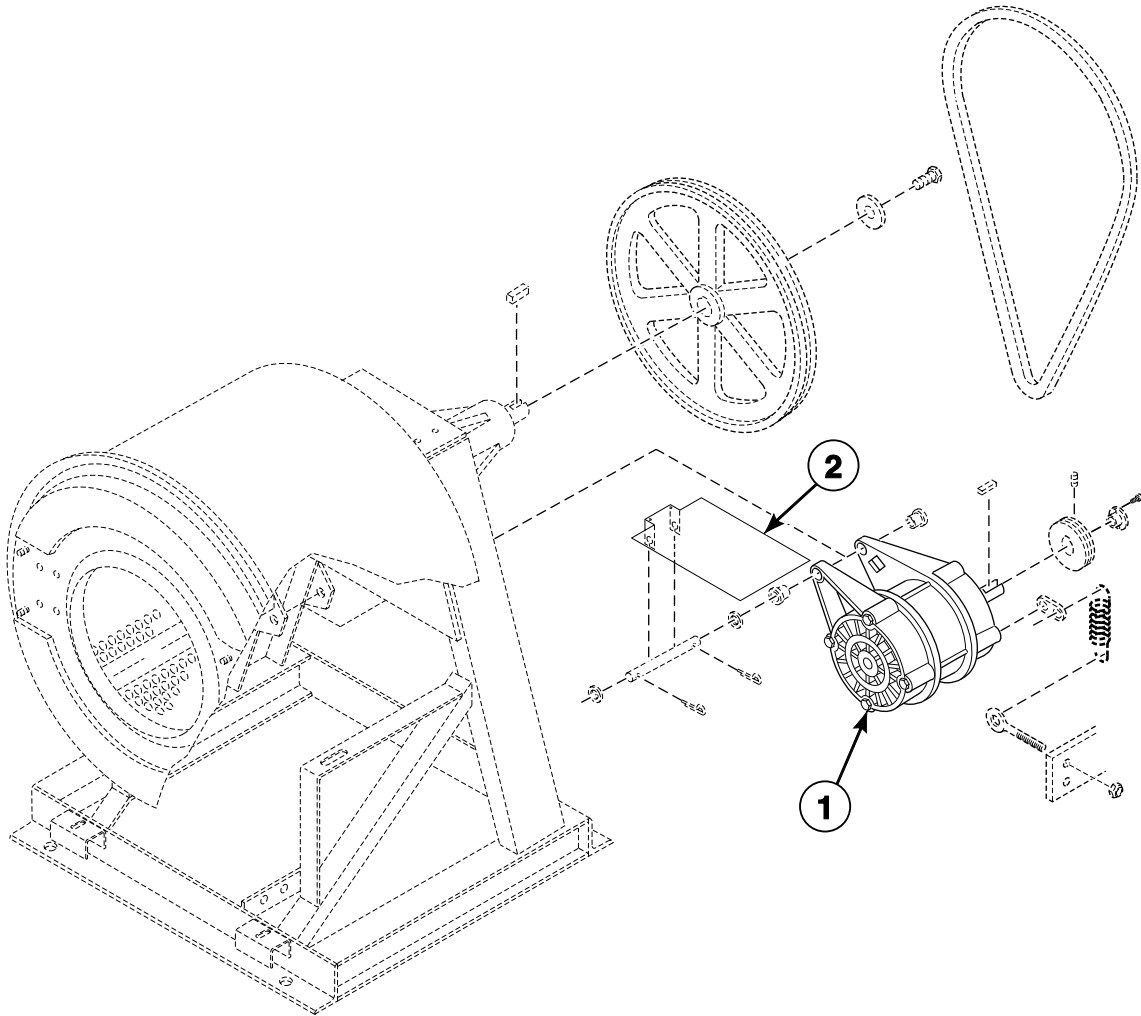


CHM3290PA\_F8489201

## Pulley and Belt - Design 2 and 3 Models (Drawing 2 of 2)

| REF | PART NO. | DESCRIPTION            | COMMENTS  |
|-----|----------|------------------------|---|
| 1   | F8362501 | Motor Pulley           | 20 pound models N and P-voltage; 30, 40 and 60 pound models |
| 2   | 44087201 | Nut                    |   |
| 3   | F8351901 | Eye Bolt               |   |
| 4   | F310124  | Extension Spring       |   |
| 5   | F8363901 | Spring Plate           |   |
| 6   | F8402801 | Bolt                   |   |
| 7   | F8441101 | Motor Rod Plate        |   |
| 8   | F8387601 | Nut                    |   |
| 9   | F8441601 | Motor Bracket Weldment | 20 and 30 pound models                                      |
|     | F8441602 | Motor Bracket Weldment | 40 and 60 pound models                                      |
| 10  | F8441901 | O-Ring                 |   |
| 11  | F8333301 | Flanged Bushing        |   |
| 12  | F8451601 | Spacer                 |   |
| 13  | F430801  | Key                    | 30 pound models   |
| 14  | 800461   | Screw                  |   |

# Motor - Design 1 Models



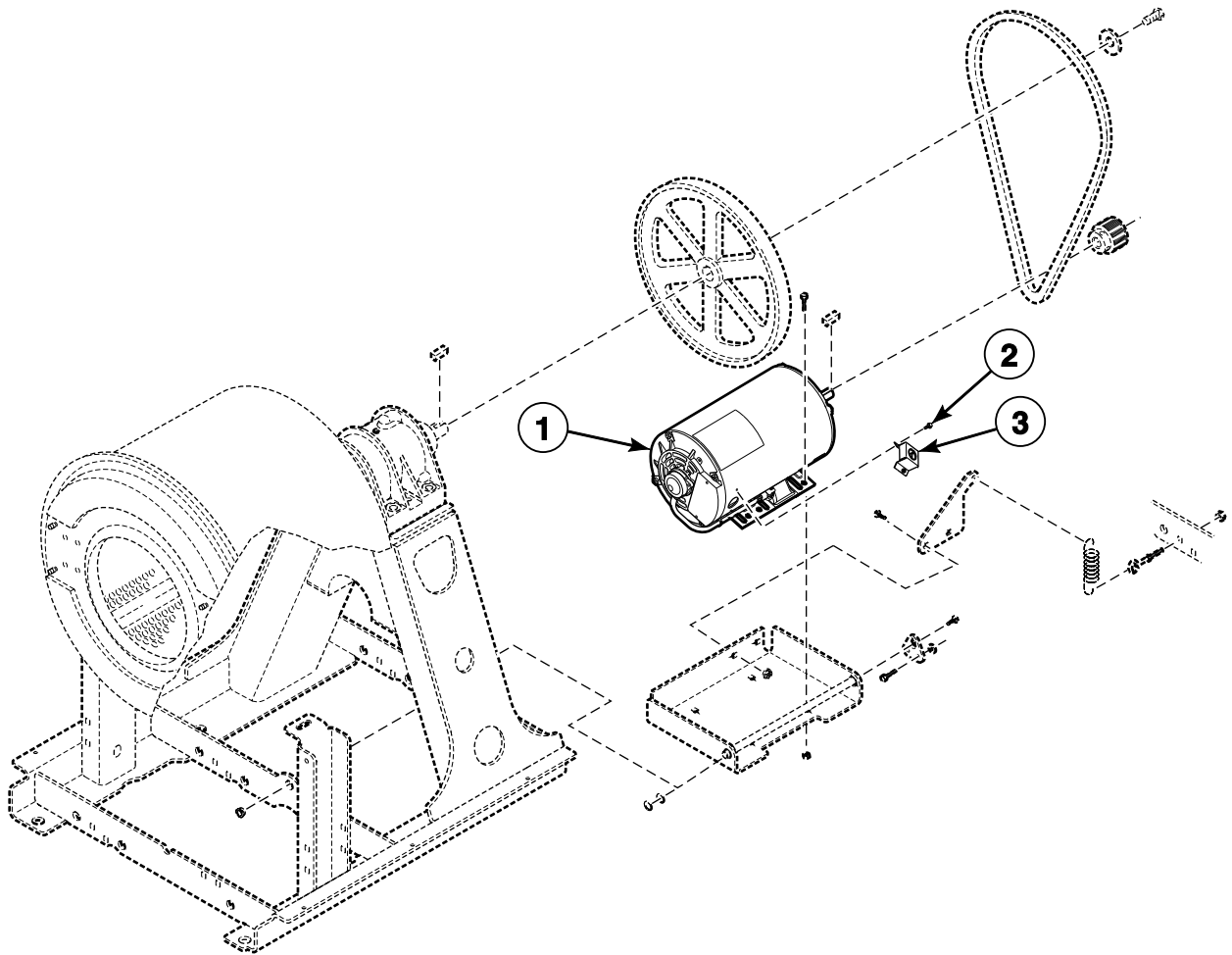
CHM3050PC\_F8489201

## Motor - Design 1 Models

| REF | PART NO.    | DESCRIPTION          | COMMENTS   |   |
|-----|-------------|----------------------|--|---|
| 1   | F8329601P   | Motor                | 20 pound 2 speed models; Replaces F220110 Motor; B-voltage; Includes motor support bushing   |   |
|     | F8329401P   | Motor                | 20 pound 2 speed models; Replaces F022032500P and F220325-H Motors; C and F-voltage; Includes motor support bushing  |   |
|     | F8329301P   | Motor                | 20 pound 2 speed models; Replaces F022039600 and F220396-H Motors; J, K and O-voltage; Includes motor support bushing  |   |
|     | F8328901P   | Motor Conversion Kit | 20 pound F and V-speed models; Replaces F220393 Motor; X-voltage; Includes motor support bushing; **   |   |
|     | F022012800P | Motor                | Use with F220128-H Motor; 20 pound 2 speed models; Y-voltage; Includes F200186100 Motor Support Bushing  |   |
|     | F8329801P   | Motor                | 30 pound 2 speed models; Replaces F022038800 and F220388-H Motors; C and F-voltage; Includes motor support bushing   |   |
|     | F8329701P   | Motor                | 30 pound 2 speed models; Replaces F022038700 and F220387-H Motors; J, K and O-voltage; Includes motor support bushing  |   |
|     | F8329001P   | Motor Conversion Kit | 30 pound F and V-speed models; Replaces F220395 Motor; X-voltage; Includes motor support bushing; **   |   |
|     | F8329001    | Motor                | 30 pound F and V-speed models; Models that have been converted with F8329001P Motor Conversion Kit or models starting 3/3/10; X-voltage; Includes motor support bushing  |   |
|     | F8329901P   | Motor                | 30 pound 2 speed models; Replaces F022012400 and F220124-H Motors; Y-voltage; Includes motor support bushing   |   |
|     | F8330101P   | Motor                | 40 pound 2 speed models; Replaces F022032600 and F220326-H Motors; C and F-voltage; Includes motor support bushing   |   |
|     | F8330001P   | Motor                | 40 pound 2 speed models; Replaces F0220321-00 Motor on models through 7/25/10; All other models starting 7/26/10; O-voltage; Includes motor support bushing              |   |
|     | F8330201P   | Motor                | 40 pound 2 speed models; Replaces F0220120-01P Motor on models through 12/31/10; All other models starting 1/1/11; Y-voltage; Includes motor support bushing             |   |
|     | F8329101P   | Motor Conversion Kit | 40 pound F and V-speed models; Replaces F220394 Motor; X-voltage; Includes motor support bushing; **   |   |
|     | F8329101    | Motor                | 40 pound F and V-speed models; Models that have been converted with F8329101P Motor Conversion Kit or models starting 6/21/10; X-voltage; Includes motor support bushing |   |
|     | F8330301P   | Motor                | 60 pound 2 speed models; Replaces F022032200 Motor; O-voltage; Includes motor support bushing  |   |
|     | F8329201P   | Motor Conversion Kit | 60 pound F and V-speed models; Replaces F220234 Motor; X-voltage; Includes motor support bushing; **   |   |
|     | F8329201    | Motor                | 60 pound F and V-speed models; Models that have been converted with F8329201P Motor Conversion Kit or models starting 9/16/10; X-voltage; Includes motor support bushing |   |
|     | 2           | F200216900           | Motor Drip Shield  | 20 and 30 pound 2 speed models; 40 pound 2 speed models except Y-voltage; 60 pound F and V-speed models |
|     |             | F200280700           | Motor Drip Shield  | 40 pound models Y-voltage; 60 pound 2 speed models  |

**\*\* NOTE: AC drive parameters must be compatible with the motor and motor pulley. Please request the AC drive parameter illustration for parameter verification when ordering a motor.**

# Motor - Design 2 and 3 Models



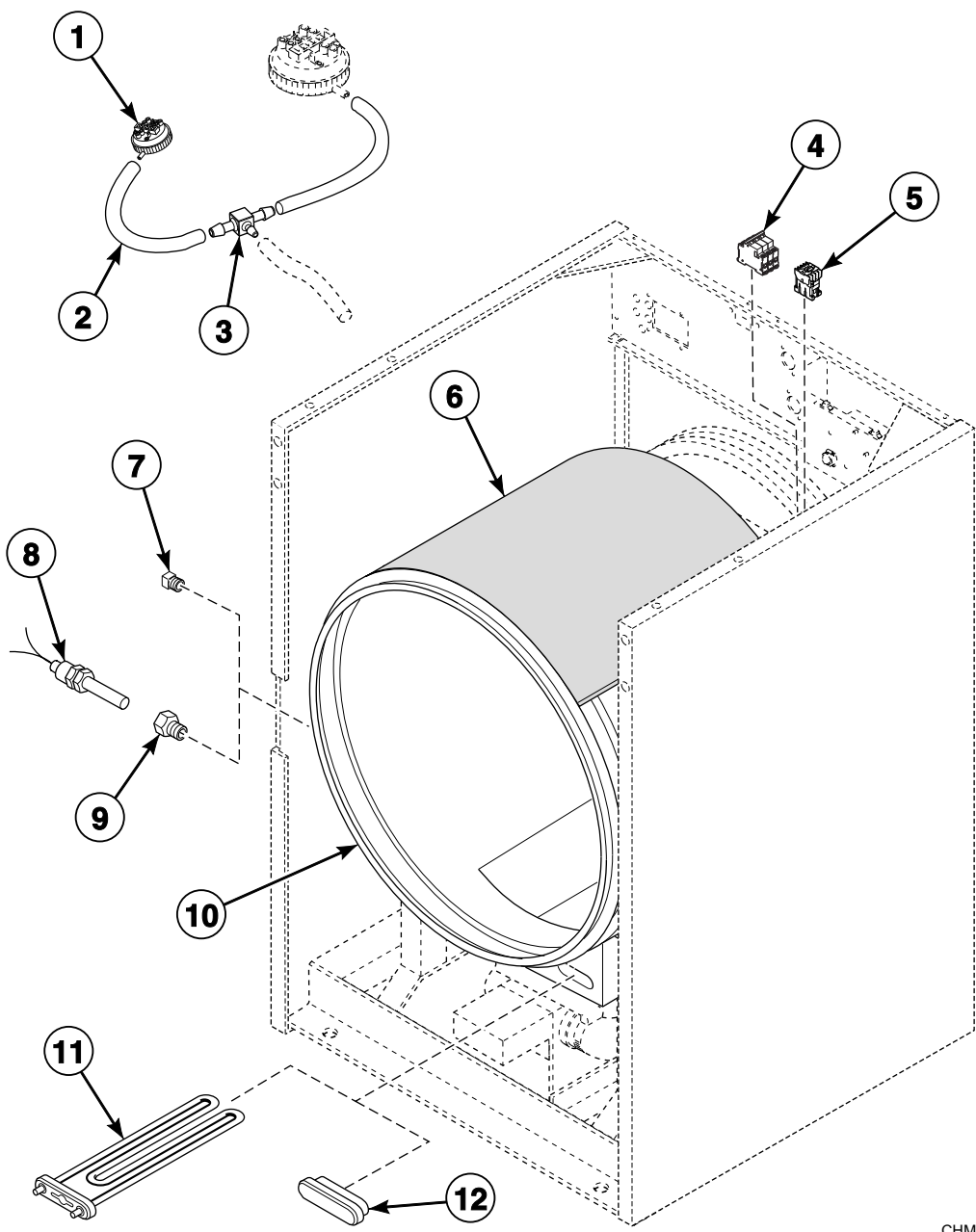
CHM3290PB\_F8489201

## Motor - Design 2 and 3 Models

| REF      | PART NO.   | DESCRIPTION                    | COMMENTS  |
|----------|------------|--------------------------------|---|
|          | F8384801   | Motor Harness                  | 20 pound models; B, Q and X-voltage                         |
|          | F8396601   | Motor Harness                  | 20, 30 and 40 pound models N and P-voltage; 60 pound models |
|          | F8384901   | Motor Harness                  | 30 and 40 pound models; X and Q-voltage                     |
| <b>1</b> | F200216900 | Motor Drip Shield              | 20 pound models; B, Q and X-voltage                         |
|          | 801194P    | Induction Motor                | 20 pound models; B, Q and X-voltage; Includes pulley        |
|          | F8335001P  | Motor                          | 20 pound models N and P-voltage; 30 and 40 pound models     |
|          | F8335101P  | Motor                          | 60 pound models   |
| <b>2</b> | 23222      | Screw                          |   |
| <b>3</b> | 70321701   | Motor Conduit Mounting Bracket |   |

**\*\* NOTE: AC drive parameters must be compatible with the motor and motor pulley. Please request the AC drive parameter illustration for parameter verification when ordering a motor.**

# Electric Heat Option



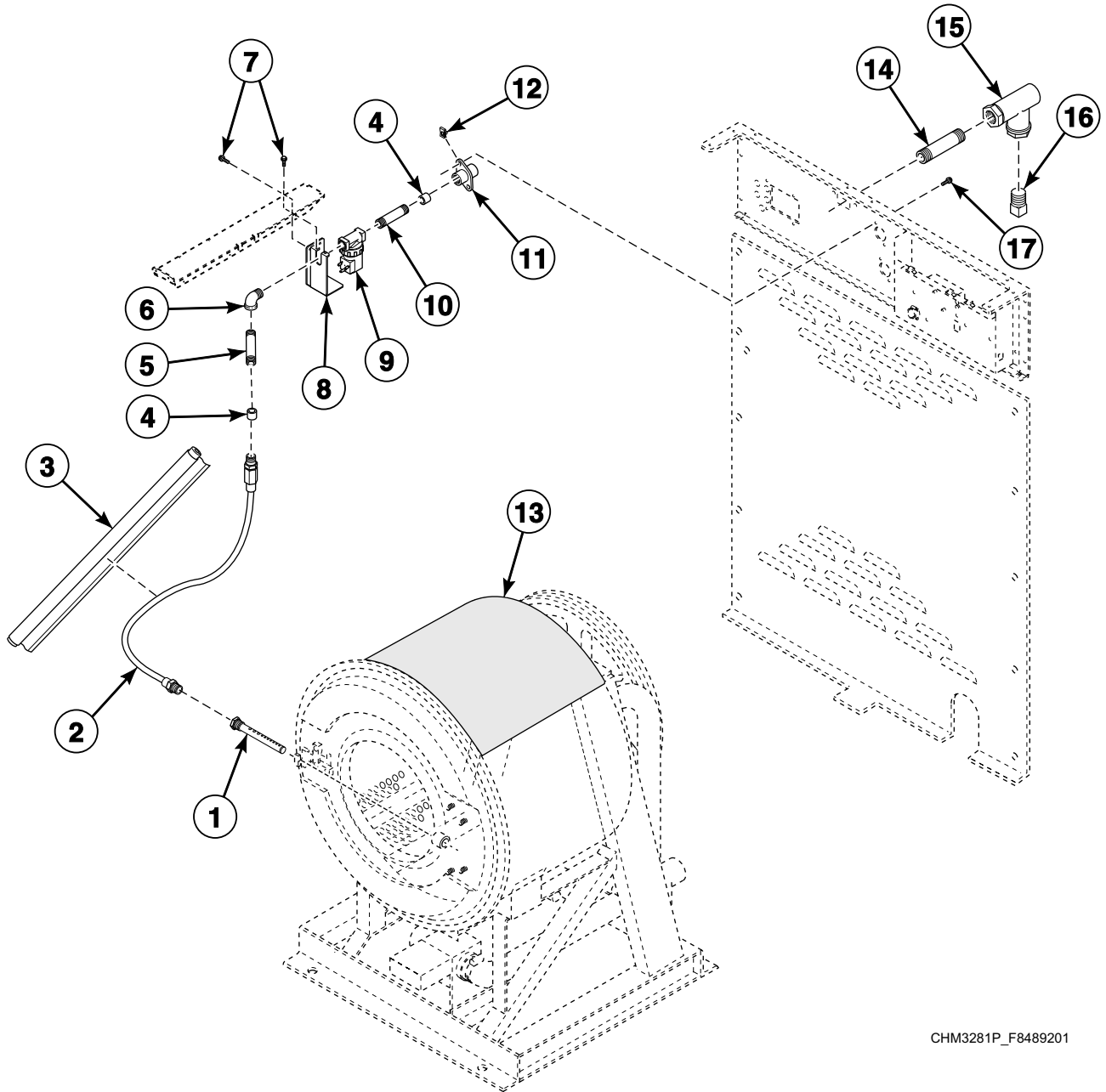
CHM3319P\_F8489201



## Electric Heat Option

| REF | PART NO.   | DESCRIPTION           | COMMENTS   |
|-----|------------|-----------------------|--|
|     | F8056001   | Jumper Wire           | P-voltage models require 5; N-voltage models require 3                     |
| 1   | F8223001P  | Water Pressure Switch | Heat safety; Design 1  |
|     | F8404401   | Water Pressure Switch | Design 2 and 3   |
| 2   | F8153901   | Tubing                |  |
| 3   | F8246601   | Tee                   |  |
| 4   | 70256901P  | Circuit Breaker       |  |
| 5   | F330188P   | Contactora            |  |
| 6   | F410300    | Pipe Insulation       |  |
| 7   | F421507    | Plug                  | Design 1   |
|     | F200202600 | Plug                  | Design 2 and 3   |
| 8   | F370609    | Thermistor Sensor     |  |
| 9   | F421936    | Reducer Bushing       | Design 1   |
| 10  | F8179602   | Shell Weldment        | Design 1   |
|     | F8360602   | Shell Weldment        | Design 2 and 3; 20 pound models  |
|     | F8360702   | Shell Weldment        | Design 2 and 3; 30 pound models  |
|     | F8360802   | Shell Weldment        | Design 2; 40 pound models  |
|     | F8360902   | Shell Weldment        | Design 2; 60 pound models  |
| 11  | F360205P   | Element               | 2.6 kW; 3 used in 20 and 30 pound models; 6 used in 40 and 60 pound models |
| 12  | F360202    | Heating Element Plug  |  |

# Steam Heat Option



CHM3281P\_F8489201

## Steam Heat Option

| REF       | PART NO.  | DESCRIPTION                  | COMMENTS   |
|-----------|-----------|------------------------------|--|
|           | F953P3    | Steam Heat Kit               | Includes items 1-10, 12, 14-15 and harness   |
|           | F380984P  | Steam Valve Repair Kit       | Use with item 7  |
|           | F8514601  | Coil                         | Use with F8322801 Valve  |
|           | F8382301  | DIN Valve Adapter Kit        | Use with F8322802 Valve  |
|           | F8379501  | Valve Kit                    | Use with F8322801 Valve  |
| <b>1</b>  | F603131   | Steam Injector Tube Assembly | Design 1   |
|           | F8368201  | Steam Injector Tube Assembly | Design 2 and 3   |
| <b>2</b>  | F200197   | Steam Hose                   |  |
| <b>3</b>  | F8233700  | Pipe Insulation              | Design 2 and 3   |
| <b>4</b>  | F8116301  | Coupling                     | Design 2 and 3; 60 pound models require 2  |
| <b>5</b>  | F8110601  | Nipple                       | 60 pound models  |
| <b>6</b>  | H86070034 | Street Elbow                 |  |
| <b>7</b>  | 430497    | Screw                        |  |
| <b>8</b>  | F8490301  | Steam Bracket                |  |
| <b>9</b>  | F380787P  | Steam Valve                  | 220 Volt; Design 1   |
|           | F8322801P | Valve                        | Replaces F380787P Steam Valve on Design 1 models; Design 2 and 3; Includes F8514601 Coil; For models that have been upgraded with F8521601 Din Valve Kit |
|           | F8521801  | DIN Valve Kit                | Replaces F380787P Steam Valve on Design 1 models; Includes F8322801 Valve, F8382301 DIN Valve Adapter Kit and F8514601 Coil                              |
| <b>10</b> | 70263801  | Pipe Nipple                  |  |
| <b>11</b> | F8154501  | Coupling                     | Design 1   |
|           | F8362701  | Coupling                     | Design 2 and 3   |
| <b>12</b> | 70030401  | Nut                          |  |
| <b>13</b> | F410300   | Pipe Insulation              | Design 1   |
| <b>14</b> | 431486    | Pipe Nipple                  |  |
| <b>15</b> | F270307   | Steam Filter                 |  |
| <b>16</b> | F420409   | Plug                         |  |
| <b>17</b> | 20253     | Screw                        |  |



# Parts Index

## A

|                            |                |
|----------------------------|----------------|
| Access Cover               |                |
| F8047801 .....             | 77             |
| Air Trap Hose              |                |
| F020014200 .....           | 13, 15, 21, 23 |
| Auxiliary Control Assembly |                |
| F8189401P .....            | 13, 15, 17     |

## B

|                          |        |
|--------------------------|--------|
| Basket Assembly          |        |
| F8347801P .....          | 55     |
| F8347901P .....          | 55     |
| F8391301 .....           | 61     |
| F8391501 .....           | 61     |
| F8391701 .....           | 55, 61 |
| F8391901 .....           | 55, 61 |
| Basket Pulley            |        |
| F150269 .....            | 87     |
| F150270 .....            | 87     |
| F200299700 .....         | 81, 87 |
| Basket Rental Tool Kit   |        |
| 390P4-1 .....            | 55, 61 |
| Basket Tool Kit          |        |
| 389P4 .....              | 55, 61 |
| Bearing                  |        |
| F100108 .....            | 57, 63 |
| F100123P .....           | 57, 63 |
| F100134 .....            | 57, 63 |
| F100135 .....            | 57, 63 |
| F100136P .....           | 57, 63 |
| F100137P .....           | 57, 63 |
| Bearing Housing          |        |
| F8246802 .....           | 63     |
| F8247902 .....           | 63     |
| F8249902 .....           | 63     |
| F8250902 .....           | 63     |
| Bearing Housing Assembly |        |
| F8271601 .....           | 63     |
| F8271701 .....           | 63     |
| F8271801 .....           | 63     |
| F8271901 .....           | 63     |
| Bearing Puller Tool      |        |
| F460129P .....           | 55, 61 |
| Bearing Sleeve           |        |
| F8221701 .....           | 51     |
| Belt                     |        |
| F200201700P .....        | 87     |
| F280304 .....            | 81     |
| F280321 .....            | 81     |
| F280337 .....            | 81     |
| F280341 .....            | 81     |
| F280342 .....            | 81     |
| F280343 .....            | 81     |
| F280366P .....           | 81     |
| F280368P .....           | 81     |
| F280369P .....           | 81     |
| F280370 .....            | 81     |
| F280373 .....            | 81     |
| F8382801 .....           | 87     |

|                  |        |
|------------------|--------|
| F8382803 .....   | 87     |
| F8382804 .....   | 87     |
| F8382805 .....   | 87     |
| Blind Rivet      |        |
| F8245101 .....   | 51     |
| Bolt             |        |
| F200182700 ..... | 71, 73 |
| F430522 .....    | 69     |
| F8230501 .....   | 47     |
| F8270701 .....   | 53     |
| F8402801 .....   | 69, 89 |
| F8508101 .....   | 51     |
| Bracket          |        |
| F8365401 .....   | 69     |
| F8365402 .....   | 69     |
| F8434601 .....   | 69     |
| F8434701 .....   | 69     |
| Bushing          |        |
| H87529111P ..... | 85     |
| M412995P .....   | 85     |

## C

|                                  |            |
|----------------------------------|------------|
| Cap                              |            |
| F8197701 .....                   | 77         |
| Capacitor                        |            |
| F370218P .....                   | 13, 21     |
| F370220 .....                    | 13, 21     |
| F370221 .....                    | 13, 21     |
| F8411701 .....                   | 13, 21     |
| F8411801 .....                   | 13, 21     |
| F8411901 .....                   | 13, 21     |
| Capacitor Tray Assembly          |            |
| F8199601 .....                   | 13, 21     |
| F8199901 .....                   | 13, 21     |
| Card Plate Assembly              |            |
| F8201501 .....                   | 35         |
| Card Reader and Bracket Assembly |            |
| 510068P .....                    | 35         |
| Card Reader Harness              |            |
| F141887 .....                    | 35         |
| Card Reader Overlay              |            |
| 70334301 .....                   | 35         |
| Circuit Breaker                  |            |
| 70256901P .....                  | 19, 27, 95 |
| Clamp Ring Assembly              |            |
| F8388001 .....                   | 61         |
| F8388002 .....                   | 55, 61     |
| F8388004 .....                   | 61         |
| Clamp Ring Bracket               |            |
| F8302401 .....                   | 61         |
| Coil                             |            |
| F8514601 .....                   | 97         |
| Coin Box                         |            |
| F160672 .....                    | 37         |
| Coin Chute                       |            |
| F8170801 .....                   | 21, 23, 25 |
| Coin Drawer Assembly             |            |
| F8182001 .....                   | 37         |
| Coin Drop                        |            |
| 70256402P .....                  | 31         |

N/A items do not appear in index.

|                            |                        |                         |            |
|----------------------------|------------------------|-------------------------|------------|
| 70441601P.....             | 29                     | F8038604.....           | 41         |
| Coin Drop Assembly         |                        | F8038702.....           | 39         |
| 210195.....                | 31                     | F8038704.....           | 41         |
| 210196.....                | 31                     | F8038802.....           | 39         |
| 38462P.....                | 29                     | F8038804.....           | 41         |
| 38463.....                 | 29                     | Control Panel Overlay   |            |
| 38464P.....                | 29                     | F8226301.....           | 45         |
| 38472.....                 | 31                     | F8226401.....           | 45         |
| 38521.....                 | 31                     | F8226501.....           | 45         |
| 39157.....                 | 31                     | F8226601.....           | 45         |
| 70281102.....              | 31                     | F8295501.....           | 43         |
| 70482401.....              | 33                     | F8295502.....           | 43         |
| Coin Identification Paper  |                        | F8295601.....           | 43         |
| 38725.....                 | 29, 31, 33             | F8295602.....           | 43         |
| Coin Meter                 |                        | F8295701.....           | 43         |
| F0160737-00.....           | 31                     | F8295702.....           | 43         |
| Coin Meter Assembly        |                        | F8295801.....           | 43         |
| F200010000P.....           | 29                     | F8295802.....           | 43         |
| F200010001.....            | 31                     | F8296001.....           | 45         |
| F200010002.....            | 31                     | F8296101.....           | 45         |
| F200010003.....            | 31                     | F8296201.....           | 45         |
| F200010004.....            | 31                     | F8296301.....           | 45         |
| F200010005.....            | 31                     | F8443801.....           | 43         |
| F200010006.....            | 29                     | F8443802.....           | 43         |
| F200010007.....            | 29                     | F8444401.....           | 43         |
| F200010008.....            | 31                     | F8444402.....           | 43         |
| F200010009.....            | 29                     | F8444501.....           | 43         |
| F200010010.....            | 31                     | F8444502.....           | 43         |
| F200010011.....            | 29                     | F8444601.....           | 43         |
| F200010012.....            | 29                     | F8444602.....           | 43         |
| F200021600P.....           | 33                     | F8444701.....           | 43         |
| F200021601.....            | 33                     | F8444702.....           | 43         |
| F200021602.....            | 33                     | Control Tray Assembly   |            |
| F200021603.....            | 33                     | F8205901.....           | 13         |
| F200021604.....            | 33                     | F8205902.....           | 15, 21, 23 |
| F200021605.....            | 33                     | F8205903.....           | 15, 21, 23 |
| F8238601.....              | 33                     | F8359601.....           | 17         |
| Coin Vault Assembly        |                        | F8359602.....           | 25         |
| F8182501.....              | 21, 23, 25             | F8359603.....           | 17         |
| F8182601.....              | 21, 23, 25             | F8359604.....           | 25         |
| Concrete Epoxy Kit         |                        | F8359707.....           | 25         |
| F8498101.....              | 65                     | Cotter Pin              |            |
| Concrete Kit               |                        | F430401.....            | 85         |
| 1111P.....                 | 65                     | Coupling                |            |
| Control Tray Harness       |                        | F8116301.....           | 97         |
| F8261501P.....             | 15, 17, 23, 25         | F8154501.....           | 97         |
| Contact Block Switch       |                        | F8362701.....           | 97         |
| F200233401.....            | 13, 15, 19             |                         |            |
| Contact Switch             |                        |                         |            |
| F8069501.....              | 13, 15, 19             | <b>D</b>                |            |
| Contactactor               |                        | Diaphragm and Guide Kit |            |
| F330177P.....              | 13, 19, 21, 27         | G582P3.....             | 79         |
| F330188P.....              | 95                     | DIN Rail                |            |
| Contactactor Tray Assembly |                        | F8200101.....           | 13, 21     |
| F8343401.....              | 13, 21                 | F8385301.....           | 19, 27     |
| Control Assembly Kit       |                        | DIN Valve Adapter Kit   |            |
| F980P3.....                | 13, 15, 17, 21, 23, 25 | F8382301.....           | 97         |
| Control Kit                |                        | DIN Valve Kit           |            |
| F983P3.....                | 13, 15                 | F8521801.....           | 97         |
| F987P3.....                | 21, 23                 | Dispenser Assembly      |            |
| F990P3.....                | 21, 23                 | F8047401.....           | 77         |
| F991P3.....                | 23                     | F8047402.....           | 77         |
| Control Panel Assembly     |                        | Dispenser Gasket        |            |
| F8038502.....              | 39                     | F8308301.....           | 77         |
| F8038504.....              | 41                     | Dispenser Lid           |            |
| F8038602.....              | 39                     | F8048101.....           | 47         |

N/A items do not appear in index.

|   |        |  |  |
|---|--------|--|--|
| Dispenser Overflow Hose                 |        |  |  |
| F8043401 .....                          | 77     |  |  |
| F8043403 .....                          | 77     |  |  |
| F8043404 .....                          | 77     |  |  |
| Door                                    |        |  |  |
| F0602431-02 .....                       | 51     |  |  |
| F0602837-02 .....                       | 51     |  |  |
| F602842-2 .....                         | 51     |  |  |
| F8507501 .....                          | 51     |  |  |
| F8507601 .....                          | 51     |  |  |
| F8507701 .....                          | 51     |  |  |
| Door Assembly                           |        |  |  |
| F8187202 .....                          | 51     |  |  |
| F8187203 .....                          | 51     |  |  |
| F8187302 .....                          | 51     |  |  |
| F8187303 .....                          | 51     |  |  |
| F8187402 .....                          | 51     |  |  |
| F8187403 .....                          | 51     |  |  |
| Door Bezel                              |        |  |  |
| F0170426-00 .....                       | 39, 41 |  |  |
| F0170426-10 .....                       | 39, 41 |  |  |
| F0170426-30 .....                       | 39, 41 |  |  |
| F170416-1 .....                         | 39, 41 |  |  |
| F170416-2 .....                         | 39, 41 |  |  |
| F170416-3 .....                         | 39, 41 |  |  |
| F170417-1 .....                         | 39, 41 |  |  |
| F170417-3 .....                         | 39, 41 |  |  |
| Door Gasket                             |        |  |  |
| F200000202 .....                        | 51     |  |  |
| F8111502 .....                          | 51     |  |  |
| F8111602 .....                          | 51     |  |  |
| Door Glass                              |        |  |  |
| F290208P .....                          | 51     |  |  |
| F8341701 .....                          | 51     |  |  |
| F8341801P .....                         | 51     |  |  |
| F8341901 .....                          | 51     |  |  |
| Door Glass Kit                          |        |  |  |
| F290205P .....                          | 51     |  |  |
| F290207P .....                          | 51     |  |  |
| Door Handle                             |        |  |  |
| F8199401P .....                         | 51     |  |  |
| F8199501 .....                          | 51     |  |  |
| Door Handle Spacer                      |        |  |  |
| F8223701 .....                          | 51     |  |  |
| Door Hinge                              |        |  |  |
| F190216P .....                          | 51     |  |  |
| Door Hinge Shim                         |        |  |  |
| F200131000 .....                        | 51     |  |  |
| Door Latch Arm Assembly                 |        |  |  |
| F8221401 .....                          | 51     |  |  |
| Door Lock Assembly                      |        |  |  |
| F8197101 .....                          | 53     |  |  |
| F8340501 .....                          | 53     |  |  |
| Door Lock Catch                         |        |  |  |
| F8223601 .....                          | 53     |  |  |
| F8344501 .....                          | 53     |  |  |
| Door Lock Cover                         |        |  |  |
| F8245001 .....                          | 53     |  |  |
| Door Lock Microswitch                   |        |  |  |
| F200203200 .....                        | 53     |  |  |
| Door Lock Plate Assembly                |        |  |  |
| F8223201 .....                          | 53     |  |  |
| F8223202 .....                          | 53     |  |  |
| Door Lock Plate Shim                    |        |  |  |
| F8059701 .....                          | 53     |  |  |
| F8344401 .....                          | 53     |  |  |
| Door Lock Solenoid Replacement Kit      |        |  |  |
| F977P3 .....                            | 53     |  |  |
| Door Lock Splash Shield                 |        |  |  |
| F320200 .....                           | 53     |  |  |
| Door Lock Switch Lever                  |        |  |  |
| F8223401 .....                          | 53     |  |  |
| Door Mount                              |        |  |  |
| F150271 .....                           | 51     |  |  |
| Door Shim                               |        |  |  |
| F8453401 .....                          | 53     |  |  |
| Dowel Pin                               |        |  |  |
| F8388101 .....                          | 63     |  |  |
| F8388201 .....                          | 63     |  |  |
| Drain Connect Tee                       |        |  |  |
| F150318 .....                           | 67, 69 |  |  |
| Drain Hose                              |        |  |  |
| F200165100 .....                        | 69     |  |  |
| F8231901 .....                          | 67     |  |  |
| F8231902 .....                          | 67     |  |  |
| F8232901 .....                          | 67, 69 |  |  |
| F8233001 .....                          | 67     |  |  |
| F8233101 .....                          | 67     |  |  |
| F8233102 .....                          | 67     |  |  |
| F8261302 .....                          | 69     |  |  |
| F8261303 .....                          | 69     |  |  |
| F8464701 .....                          | 69     |  |  |
| Drain Tee                               |        |  |  |
| F150398 .....                           | 67, 69 |  |  |
| Drain Valve                             |        |  |  |
| F038062900 .....                        | 73     |  |  |
| F8406307 .....                          | 73     |  |  |
| Drain Valve Cover                       |        |  |  |
| F200133600 .....                        | 71, 73 |  |  |
| Drain Valve Kit                         |        |  |  |
| F200166400 .....                        | 73     |  |  |
| F200166402 .....                        | 73     |  |  |
| Drain Valve Motor                       |        |  |  |
| F380933P .....                          | 71, 73 |  |  |
| Drain Valve Motor and Gear Box Assembly |        |  |  |
| G159764P .....                          | 71, 73 |  |  |
| Drive Assembly                          |        |  |  |
| F8204701P .....                         | 19, 27 |  |  |
| F8303601P .....                         | 19, 27 |  |  |
| F8327301P .....                         | 19, 27 |  |  |
| Drive Mounting Bracket                  |        |  |  |
| F8322401 .....                          | 19, 27 |  |  |
| Drive Tray Assembly                     |        |  |  |
| F8359801 .....                          | 19, 27 |  |  |
| F8359802 .....                          | 19, 27 |  |  |
| F8359803 .....                          | 19, 27 |  |  |
| <hr/>                                   |        |  |  |
| <b>E</b>                                |        |  |  |
| Earth Terminal Sticker                  |        |  |  |
| M412096 .....                           | 11     |  |  |
| Electric Shock Danger Label             |        |  |  |
| F8115501 .....                          | 11     |  |  |
| Electronic Coin Drop Assembly           |        |  |  |
| 70294103P .....                         | 33     |  |  |
| 70294104 .....                          | 33     |  |  |
| 70294105P .....                         | 33     |  |  |
| 70294106 .....                          | 33     |  |  |
| 70294107 .....                          | 33     |  |  |
| 70294109 .....                          | 33     |  |  |

N/A items do not appear in index.

|                                  |  |
|----------------------------------|--|
| 70294111.....                    | 33                                     |
| 70294119.....                    | 33                                     |
| 70294120.....                    | 33                                     |
| 70294121.....                    | 33                                     |
| Electronic Coin Drop Kit         |  |
| CK099.....                       | 33                                     |
| CK100.....                       | 33                                     |
| CK101.....                       | 33                                     |
| CK103.....                       | 33                                     |
| CK106.....                       | 33                                     |
| CK109.....                       | 33                                     |
| CK110.....                       | 33                                     |
| CK113.....                       | 33                                     |
| CK115.....                       | 33                                     |
| CK119.....                       | 33                                     |
| CK120.....                       | 33                                     |
| CK121.....                       | 33                                     |
| CK122.....                       | 33                                     |
| CK500.....                       | 33                                     |
| Element                          |  |
| F360205P.....                    | 95                                     |
| Emergency Stop Harness           |  |
| F8060501.....                    | 13, 15, 17                             |
| Emergency Stop Plate             |  |
| F8201301.....                    | 13, 15, 19                             |
| Emergency Stop Pushbutton        |  |
| F200233500.....                  | 13, 15, 19                             |
| EMI Filter                       |  |
| F8053901P.....                   | 15, 19, 23, 27                         |
| F8053902.....                    | 15, 19, 23, 27                         |
| End Stop                         |  |
| F8449801.....                    | 19, 27                                 |
| Excluder Seal                    |  |
| F8336801.....                    | 55, 61                                 |
| F8336901.....                    | 55, 61                                 |
| F8337001.....                    | 55, 61                                 |
| F8337101.....                    | 55, 61                                 |
| Expansion Clip                   |  |
| 70030501.....                    | 13, 15, 17, 19, 21, 23, 25, 27, 39, 41 |
| Extension Spring                 |  |
| F310124.....                     | 85, 89                                 |
| External Door Lock Harness       |  |
| F8340001.....                    | 53                                     |
| External Supply Connection Decal |  |
| F8150201.....                    | 11                                     |
| External Supply Harness          |  |
| F8191201P.....                   | 13, 15, 17, 25                         |
| F8191203.....                    | 17, 25                                 |
| External Supply Kit              |  |
| F937P3.....                      | 13, 15, 17, 25                         |
| Eye Bolt                         |  |
| F8351901.....                    | 89                                     |

## F

|                   |    |
|-------------------|----|
| Fill Hose         |    |
| 223/00049/10..... | 75 |
| Flanged Bushing   |    |
| F8333301.....     | 89 |
| Frame Template    |    |
| F8433301.....     | 65 |
| F8433401.....     | 65 |
| F8433501.....     | 65 |
| F8433601.....     | 65 |

|                       |                    |
|-----------------------|--------------------|
| Frame Weldment        |                    |
| F8195901.....         | 59                 |
| F8196001.....         | 59                 |
| F8196101.....         | 59                 |
| F8199101.....         | 59                 |
| F8247001.....         | 65                 |
| F8248001.....         | 65                 |
| F8249001.....         | 65                 |
| F8250001.....         | 65                 |
| Front Cabinet Brace   |                    |
| F8173801.....         | 39, 41             |
| F8173901.....         | 39, 41             |
| F8174001.....         | 39, 41             |
| Front End Control Kit |                    |
| F104P3.....           | 25                 |
| F105P3.....           | 25                 |
| F106P3.....           | 17                 |
| F107P3.....           | 17                 |
| F108P3.....           | 25                 |
| F109P3.....           | 25                 |
| F986P3.....           | 23                 |
| F988P3.....           | 15                 |
| Front Panel           |                    |
| F8171301.....         | 39                 |
| F8171302P.....        | 41                 |
| F8173001.....         | 39                 |
| F8173002P.....        | 41                 |
| F8173003.....         | 39, 41             |
| F8173101P.....        | 39                 |
| F8173102P.....        | 41                 |
| F8173201P.....        | 39                 |
| F8173202P.....        | 41                 |
| F8492301.....         | 39                 |
| F8492302.....         | 41                 |
| Fuse                  |                    |
| 802493.....           | 13, 15, 17, 21, 23 |

## G

|                      |        |
|----------------------|--------|
| Gravity Drain Valve  |        |
| 803292.....          | 71     |
| Grommet              |        |
| F8433001.....        | 17, 25 |
| Ground Decal         |        |
| F230739.....         | 11     |
| Ground Lug Connector |        |
| M411283.....         | 77     |
| Gusset Plate         |        |
| F8186701.....        | 41     |
| F8186702.....        | 39, 41 |

## H

|                      |    |
|----------------------|----|
| Harness              |    |
| F631973-2.....       | 35 |
| Heating Element Plug |    |
| F360202.....         | 95 |
| Hole Plug            |    |
| F8223801.....        | 47 |
| Hose                 |    |
| F606816-1.....       | 77 |
| F8232001.....        | 77 |
| F8232002.....        | 77 |
| F8232004.....        | 77 |

N/A items do not appear in index.



|                           |                    |
|---------------------------|--------------------|
| F8405301 .....            | 17, 25             |
| Hose Barb Connector       |                    |
| F8431001 .....            | 13, 17, 21, 23, 25 |
| Hose Clamp                |                    |
| F200201 .....             | 67, 69             |
| F200213 .....             | 67, 69, 77, 79     |
| F200215 .....             | 67, 69             |
| F200222 .....             | 13, 15, 21, 23, 77 |
| 20211 .....               | 77                 |
| 36801 .....               | 77                 |
| Hot Surface Warning Plate |                    |
| F8211901 .....            | 11                 |

## I

|                     |        |
|---------------------|--------|
| Induction Motor     |        |
| 801194P .....       | 93     |
| Interlock Contactor |        |
| F330186P .....      | 13, 21 |

## J

|                               |                        |
|-------------------------------|------------------------|
| Jumper Configuration Assembly |                        |
| M413507 .....                 | 13, 15, 17, 21, 23, 25 |
| Jumper Harness Assembly       |                        |
| M413506 .....                 | 13, 15, 17, 21, 23, 25 |
| Jumper Wire                   |                        |
| F8056001 .....                | 95                     |

## K

|                |                |
|----------------|----------------|
| Key            |                |
| F160420 .....  | 37             |
| F430801 .....  | 81, 85, 87, 89 |
| F430802 .....  | 85             |
| 70155603 ..... | 47             |

## L

|                              |        |
|------------------------------|--------|
| Left Side Panel              |        |
| F8042902P .....              | 49     |
| F8043102P .....              | 49     |
| F8043202P .....              | 49     |
| F8043302P .....              | 49     |
| F8399202 .....               | 49     |
| F8399302 .....               | 49     |
| F8399402 .....               | 49     |
| F8399502P .....              | 49     |
| F8399504 .....               | 49     |
| F8492402 .....               | 49     |
| F8492404 .....               | 49     |
| Lid Clamp                    |        |
| F8091701 .....               | 47     |
| Lower Cabinet Brace          |        |
| F8174101 .....               | 39, 41 |
| Lower Drive Mounting Bracket |        |
| F8310101 .....               | 19, 27 |

## M

|                                    |                        |
|------------------------------------|------------------------|
| Machine Size Configuration Harness |                        |
| F8028101P .....                    | 13, 15, 17, 21, 23, 25 |
| F8028103P .....                    | 13, 15, 17, 21, 23, 25 |
| F8028104P .....                    | 13, 15, 17, 21, 23, 25 |
| F8028105P .....                    | 13, 15, 17, 21, 23, 25 |
| Magnet                             |                        |
| F8390801 .....                     | 51                     |
| Manifold                           |                        |
| F8333201 .....                     | 77                     |
| Motor                              |                        |
| F022012800P .....                  | 91                     |
| F8329001 .....                     | 91                     |
| F8329101 .....                     | 91                     |
| F8329201 .....                     | 91                     |
| F8329301P .....                    | 91                     |
| F8329401P .....                    | 91                     |
| F8329601P .....                    | 91                     |
| F8329701P .....                    | 91                     |
| F8329801P .....                    | 91                     |
| F8329901P .....                    | 91                     |
| F8330001P .....                    | 91                     |
| F8330101P .....                    | 91                     |
| F8330201P .....                    | 91                     |
| F8330301P .....                    | 91                     |
| F8335001P .....                    | 93                     |
| F8335101P .....                    | 93                     |
| Motor Bracket Weldment             |                        |
| F8441601 .....                     | 89                     |
| F8441602 .....                     | 89                     |
| Motor Conduit Mounting Bracket     |                        |
| 70321701 .....                     | 93                     |
| Motor Conversion Kit               |                        |
| F8328901P .....                    | 91                     |
| F8329001P .....                    | 91                     |
| F8329101P .....                    | 91                     |
| F8329201P .....                    | 91                     |
| Motor Drip Shield                  |                        |
| F200216900 .....                   | 91, 93                 |
| F200280700 .....                   | 91                     |
| Motor Harness                      |                        |
| F8384801 .....                     | 93                     |
| F8384901 .....                     | 93                     |
| F8396601 .....                     | 93                     |
| Motor Pulley                       |                        |
| F280281 .....                      | 83                     |
| F8362501 .....                     | 89                     |
| Motor Rod Plate                    |                        |
| F8441101 .....                     | 89                     |
| Motor Support Bushing              |                        |
| F200186100 .....                   | 85                     |
| Motor Support Rod                  |                        |
| F602844 .....                      | 85                     |
| F603059 .....                      | 85                     |
| F603897 .....                      | 85                     |
| Motor Switch                       |                        |
| F340002 .....                      | 13, 21                 |
| Mount on Concrete Warning Label    |                        |
| F8246401 .....                     | 11                     |
| Mounting Plate                     |                        |
| 70208801 .....                     | 35                     |

N/A items do not appear in index.

---

**N**

|                  |  |
|------------------|--|
| Nipple           |  |
| F8110601 .....   | 97                                     |
| Nut              |  |
| F0431807-00..... | 77                                     |
| F430215.....     | 51, 55, 67                             |
| F430218.....     | 59, 61, 85                             |
| F430225.....     | 53                                     |
| F430232.....     | 13, 15, 17, 19, 21, 23, 25, 51, 53, 77 |
| F430239.....     | 57                                     |
| F430240.....     | 57                                     |
| F430264.....     | 53                                     |
| F431017.....     | 13, 15, 19                             |
| F431022.....     | 51                                     |
| F8387601.....    | 63, 89                                 |
| F8387701.....    | 63                                     |
| 24205.....       | 13, 15, 19                             |
| 44087201.....    | 69, 89                                 |
| 44087301.....    | 65                                     |
| 685846.....      | 29, 31, 33                             |
| 70030401.....    | 69, 97                                 |

---

**O**

|                      |                        |
|----------------------|------------------------|
| Opto Coupler         |                        |
| 200674P.....         | 29, 31                 |
| O-Ring               |                        |
| F8441901.....        | 89                     |
| Outer Shell Band     |                        |
| F603108.....         | 61                     |
| F603207.....         | 61                     |
| F631838.....         | 61                     |
| Output/Logic Harness |                        |
| F8028701.....        | 13, 15, 17, 21, 23, 25 |
| Overflow Hose        |                        |
| F0200238-00.....     | 67                     |
| F150308.....         | 67                     |
| F150417.....         | 67                     |
| F8337701.....        | 67                     |
| F8367201.....        | 69                     |
| F8367901.....        | 69                     |
| F8368001.....        | 69                     |
| Overlay              |                        |
| F8295503.....        | 43                     |
| F8295603.....        | 43                     |
| F8295703.....        | 43                     |
| F8295803.....        | 43                     |
| F8443803.....        | 43                     |
| F8444403.....        | 43                     |
| F8444503.....        | 43                     |
| F8444603.....        | 43                     |
| F8444703.....        | 43                     |
| 70295301.....        | 33                     |
| Overload Contactor   |                        |
| F8176101P.....       | 13, 21                 |

---

**P**

|                |    |
|----------------|----|
| Panel Lock     |    |
| 44089303P..... | 47 |
| Pin            |    |
| F8302701.....  | 61 |

|                 |        |
|-----------------|--------|
| Pipe Insulation |        |
| F410300.....    | 95, 97 |
| F8233700.....   | 97     |

|               |    |
|---------------|----|
| Pipe Nipple   |    |
| 431486.....   | 97 |
| 70263801..... | 97 |

|                 |    |
|-----------------|----|
| Plug            |    |
| F200202600..... | 95 |
| F420409.....    | 97 |
| F421507.....    | 95 |
| F8223901.....   | 47 |
| M400985.....    | 47 |

|               |                        |
|---------------|------------------------|
| Pop Rivet     |                        |
| 70058501..... | 13, 21, 23, 25, 29, 31 |

|                    |        |
|--------------------|--------|
| PowerFlex 40 Drive |        |
| F8169401.....      | 15, 23 |
| F8169402.....      | 15, 23 |
| F8169403.....      | 15, 23 |
| F8169404.....      | 15, 23 |
| F8169405.....      | 15, 23 |
| F8169406.....      | 15, 23 |
| F8169407.....      | 15, 23 |
| F8169408.....      | 15, 23 |
| F8169434.....      | 15, 23 |
| F8169435.....      | 15, 23 |
| F8169436.....      | 15, 23 |
| F8169437.....      | 15, 23 |
| F8169438.....      | 15, 23 |
| F8169439.....      | 15, 23 |
| F8169440.....      | 15, 23 |
| F8169441.....      | 15, 23 |

|                      |    |
|----------------------|----|
| Pressfit Upgrade Kit |    |
| F935P3.....          | 55 |
| F936P3.....          | 55 |
| F938P3.....          | 55 |
| F939P3.....          | 55 |

|               |        |
|---------------|--------|
| Pressure Bulb |        |
| 30907.....    | 17, 25 |

|               |    |
|---------------|----|
| P-Trap Hose   |    |
| F8042201..... | 79 |
| F8042202..... | 79 |
| F8042301..... | 79 |

|               |        |
|---------------|--------|
| Pulley        |        |
| F280105P..... | 83     |
| F280173.....  | 81, 83 |
| F280197.....  | 81, 83 |
| F280284.....  | 83     |
| F280422P..... | 83     |
| F280427P..... | 83     |

|                |    |
|----------------|----|
| Pulley Bushing |    |
| F280298P.....  | 85 |

|                         |    |
|-------------------------|----|
| Pulse Expander Assembly |    |
| F8034701P.....          | 33 |

|                   |        |
|-------------------|--------|
| Pushbutton Switch |        |
| 70413301.....     | 47, 49 |

---

**R**

|                 |    |
|-----------------|----|
| Rear Drain Hose |    |
| F8231904.....   | 69 |
| F8231905.....   | 69 |
| F8365601.....   | 69 |
| F8365602.....   | 69 |

|                |    |
|----------------|----|
| Rear Panel     |    |
| F8176201P..... | 49 |

N/A items do not appear in index.

|                      |        |
|----------------------|--------|
| F8176301             | 49     |
| F8177501P            | 49     |
| F8177701P            | 49     |
| F8352801             | 49     |
| F8362401             | 49     |
| F8365201             | 49     |
| F8367101             | 49     |
| F8492501             | 49     |
| Reducer Bushing      |        |
| F421936              | 95     |
| Reed Switch Assembly |        |
| F8066802             | 51     |
| Retaining Ring       |        |
| F8337801             | 57, 63 |
| F8337901             | 57, 63 |
| F8344901             | 57, 63 |
| F8345001             | 57, 63 |
| Right Side Panel     |        |
| F8042901P            | 49     |
| F8043101P            | 49     |
| F8043201P            | 49     |
| F8043301P            | 49     |
| F8399201             | 49     |
| F8399301             | 49     |
| F8399401             | 49     |
| F8399501             | 49     |
| F8399503P            | 49     |
| F8492401             | 49     |
| F8492403             | 49     |
| Rod                  |        |
| F602813-2            | 51     |
| F602813-3            | 51     |

## S

|             |  |
|-------------|--|
| Screw       |  |
| F0430268-00 | 77   |
| F430100     | 81, 87                                     |
| F430107     | 67   |
| F430174     | 35, 39, 41, 47                             |
| F430518     | 55   |
| F430536     | 51   |
| F430537     | 85   |
| F430903     | 13, 15, 17                                 |
| F430909     | 77   |
| F430916     | 51   |
| F430942     | 59   |
| F430947     | 51   |
| F430949     | 59   |
| F430956     | 53   |
| F430976     | 51   |
| F430977     | 53   |
| F8117601    | 39, 41                                     |
| F8206901    | 13, 15, 17, 19, 21, 23, 25, 27, 47, 49, 77 |
| F8230301    | 77   |
| F8230601    | 47   |
| F8368701    | 63   |
| F8368801    | 63   |
| F8442701    | 59, 65                                     |
| H88213996   | 65   |
| 202175      | 69   |
| 20253       | 97   |
| 23222       | 93   |
| 430497      | 97   |
| 503688      | 19, 27                                     |
| 800461      | 89   |

|                        |                        |
|------------------------|------------------------|
| 800462                 | 61                     |
| 800548                 | 79                     |
| 801019                 | 39                     |
| Seal Scupper Pad       |                        |
| F8350301               | 63                     |
| F8350302               | 63                     |
| F8350303               | 63                     |
| Shaft Seal Sleeve      |                        |
| F8312001P              | 55                     |
| F8312004P              | 55                     |
| F8312006P              | 55                     |
| Shaft Seal Sleeve Kit  |                        |
| F8343901P              | 55, 61                 |
| F8343904P              | 55, 61                 |
| F8343906P              | 55, 61                 |
| F8343909P              | 55, 61                 |
| Sheave                 |                        |
| F0280385-00            | 83                     |
| H87520334              | 83                     |
| Sheave Kit             |                        |
| F280287P               | 83                     |
| Sheave Pulley          |                        |
| F280170                | 81, 83                 |
| F280172                | 81, 83                 |
| Shell Band Assembly    |                        |
| F602757                | 55                     |
| Shell Band Kit         |                        |
| F741700                | 61                     |
| F741701                | 55, 61                 |
| F741702                | 55                     |
| Shell Front Assembly   |                        |
| F8229401               | 55, 61                 |
| F8229501               | 55, 61                 |
| F8229601               | 55, 61                 |
| F8229701               | 55, 61                 |
| Shell Front Gasket Kit |                        |
| F8513501               | 55, 61                 |
| Shell Weldment         |                        |
| F8179201               | 59                     |
| F8179202               | 59                     |
| F8179203               | 59                     |
| F8179301               | 59                     |
| F8179302               | 59                     |
| F8179303               | 59                     |
| F8179401               | 59                     |
| F8179402               | 59                     |
| F8179403               | 59                     |
| F8179501               | 59                     |
| F8179502               | 59                     |
| F8179503               | 59                     |
| F8179602               | 95                     |
| F8360601               | 65                     |
| F8360602               | 65, 95                 |
| F8360603               | 65                     |
| F8360701               | 65                     |
| F8360702               | 65, 95                 |
| F8360703               | 65                     |
| F8360801               | 65                     |
| F8360802               | 65, 95                 |
| F8360803               | 65                     |
| F8360901               | 65                     |
| F8360902               | 65, 95                 |
| F8360903               | 65                     |
| Siphon Cover           |                        |
| F8047901               | 77                     |
| Snap Bushing           |                        |
| 44071501               | 13, 15, 17, 21, 23, 25 |

N/A items do not appear in index.

|                              |        |
|------------------------------|--------|
| Spacer                       |        |
| F431901 .....                | 53     |
| F8451601 .....               | 89     |
| Spring                       |        |
| F8504601 .....               | 71     |
| F8504701 .....               | 73     |
| Spring Clip                  |        |
| F633374 .....                | 85     |
| Spring Pin                   |        |
| F431222 .....                | 51     |
| Spring Plate                 |        |
| F8363901 .....               | 89     |
| Steam Bracket                |        |
| F8490301 .....               | 97     |
| Steam Filter                 |        |
| F270307 .....                | 75, 97 |
| F270308 .....                | 75     |
| Steam Heat Kit               |        |
| F953P3 .....                 | 97     |
| Steam Hose                   |        |
| F200197 .....                | 97     |
| Steam Injector Tube Assembly |        |
| F603131 .....                | 97     |
| F8368201 .....               | 97     |
| Steam Valve                  |        |
| F380787P .....               | 97     |
| Steam Valve Repair Kit       |        |
| F380984P .....               | 97     |
| Street Elbow                 |        |
| H86070034 .....              | 97     |
| Stud                         |        |
| 70334702 .....               | 69     |
| Supply Overflow Hose         |        |
| F8043405 .....               | 77     |
| Support Bracket              |        |
| F8195803 .....               | 15, 23 |
| Switch Clamp                 |        |
| F0340722-00 .....            | 13, 21 |

---

## T

|                     |                            |
|---------------------|----------------------------|
| Tee                 |                            |
| F8246601 .....      | 13, 15, 17, 21, 23, 25, 95 |
| Tension Spring      |                            |
| F310148 .....       | 85                         |
| Terminal Block      |                            |
| 430642 .....        | 77                         |
| Terminal Tray Cover |                            |
| F8177001 .....      | 77                         |
| Thermistor Sensor   |                            |
| F370609 .....       | 95                         |
| Top Cabinet Brace   |                            |
| F8043501 .....      | 47                         |
| F8043701 .....      | 47                         |
| F8043801 .....      | 47                         |
| F8043901 .....      | 47                         |
| Top Cover           |                            |
| F8017401 .....      | 47                         |
| F8040201 .....      | 47                         |
| F8040301 .....      | 47                         |
| F8040401P .....     | 47                         |
| Top Cover Hinge     |                            |
| F8258601 .....      | 47                         |

|                          |                            |
|--------------------------|----------------------------|
| Top Cover Latch          |                            |
| F8201001 .....           | 39, 41                     |
| Torsion/Door Lock Spring |                            |
| F8070301 .....           | 53                         |
| Transformer              |                            |
| F360157P .....           | 13, 15, 21, 23             |
| F8401301 .....           | 19, 27                     |
| 201616P .....            | 13, 15, 17                 |
| 210019P .....            | 13                         |
| 803527P .....            | 15, 17, 21, 23, 25         |
| Tray Support Bracket     |                            |
| F8375201 .....           | 17, 25                     |
| Triple Lip Seal          |                            |
| F8203801 .....           | 57, 63                     |
| F8203802 .....           | 57, 63                     |
| F8203803 .....           | 57, 63                     |
| F8203806 .....           | 57, 63                     |
| Trunion Kit              |                            |
| F747001 .....            | 57                         |
| F747002 .....            | 57                         |
| F747003 .....            | 57                         |
| F747005 .....            | 57                         |
| Tubing                   |                            |
| F8153901 .....           | 13, 15, 17, 21, 23, 25, 95 |

---

## U

|  |                        |
|--|------------------------|
| USB IR Device Assembly                   |                        |
| F8167901 .....                           | 13, 15, 17, 21, 23, 25 |
| Use Copper Conductors Only Caution Label |                        |
| F8242201 .....                           | 11                     |

---

## V

|                         |    |
|-------------------------|----|
| Vacuum Breaker Assembly |    |
| F8048601 .....          | 79 |
| Vacuum Breaker Cover    |    |
| F8439301 .....          | 79 |
| Vacuum Breaker Hose     |    |
| F0200244-01 .....       | 77 |
| F0200244-02 .....       | 77 |
| Vacuum Supply Hose      |    |
| F8042801 .....          | 77 |
| F8042803 .....          | 77 |
| F8042804 .....          | 77 |
| F8042805 .....          | 77 |
| Valve                   |    |
| F8322801P .....         | 97 |
| Valve Kit               |    |
| F8379501 .....          | 97 |
| Valve Panel             |    |
| F8017501 .....          | 77 |
| F8039601 .....          | 77 |
| F8039801 .....          | 77 |
| F8039901 .....          | 77 |
| F8398701 .....          | 77 |
| F8398801 .....          | 77 |
| F8398901 .....          | 77 |
| F8399001 .....          | 77 |
| Valve, 3-Way            |    |
| F8286401P .....         | 79 |
| F8286402P .....         | 79 |

N/A items do not appear in index.

---

## W

|                       |                    |
|-----------------------|--------------------|
| Warning Label         |                    |
| F8207901 .....        | 11                 |
| F8233501 .....        | 11                 |
| 44127701 .....        | 11                 |
| Washer                |                    |
| F430303 .....         | 59                 |
| F430317 .....         | 55, 67             |
| F430339 .....         | 63                 |
| F431113 .....         | 51                 |
| F431115 .....         | 81, 87             |
| F431128 .....         | 57, 59             |
| F431131 .....         | 57, 59             |
| F431902 .....         | 53                 |
| F8366601 .....        | 63                 |
| F8402701 .....        | 65                 |
| M400081 .....         | 59, 61, 65         |
| M405535 .....         | 69                 |
| 803615 .....          | 75, 79             |
| 901690 .....          | 85                 |
| Water Hose            |                    |
| F200108P .....        | 75                 |
| F200116 .....         | 75                 |
| Water Pressure Switch |                    |
| F8223001P .....       | 13, 15, 21, 23, 95 |
| F8404401 .....        | 17, 25, 95         |

---

## Y

|               |    |
|---------------|----|
| Y Connector   |    |
| F422816 ..... | 77 |

---

